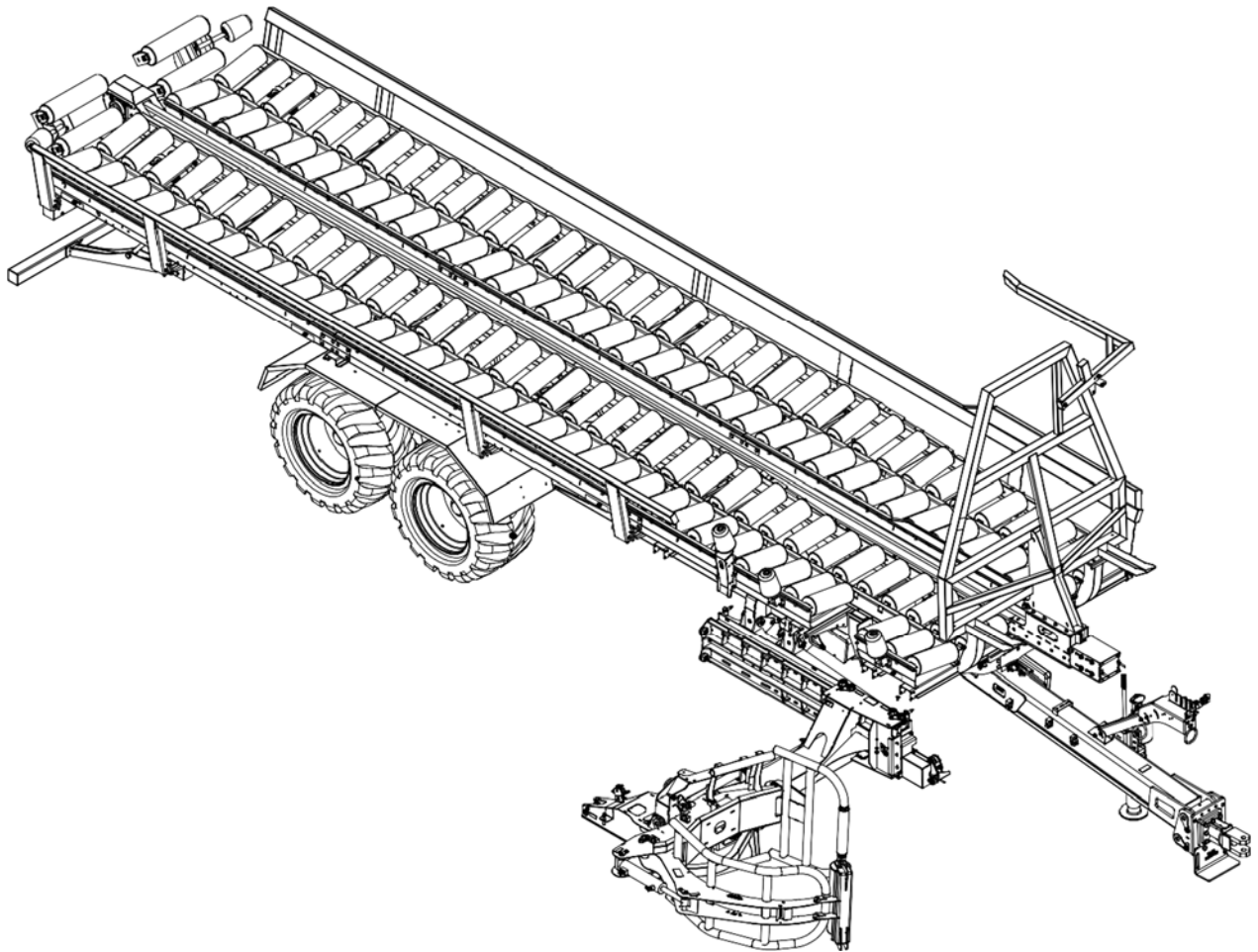


#404675-6



ANDERSON

RBMPRO 2000
Round bale trailer
Remorque à balles rondes



Parts manual
Livre de pièces
2024

Content / Contenu

| |
|---|
| 00 – GÉNÉRAL / GENERAL |
| 01 – TIMON / DRAWBAR |
| 02 – CHASSIS / FRAME |
| 03 – CONVOYEUR DROIT - RIGHT CONVEYOR |
| 04 – CONVOYEUR GAUCHE - LEFT CONVEYOR |
| 05 – ARBRE À CONVOYEUR / CONVEYOR SHAFT |
| 06 – POUSSOIR À BALLE / BALE PUSHER |
| 07 – RAIL DU POUSSOIR / BALE PUSHER RAIL |
| 08 - TANDEM & ESSIEUX SANS FREIN / TANDEM & AXLE W/O BRAKE |
| 09A - TANDEM & ESSIEUX AVEC FREIN / TANDEM & AXLE WITH BRAKE |
| 09B-TANDEM SUIVEUR AVEC FREINS / STEERABLE TANDEM WITH BRAKES |
| 10 – BÉQUILLE / JACK |
| 11 – COFFRE / LOCKER |
| 12 – BRAS DE CHARGEMENT / LOADING ARM (1/2) |
| 13 – BRAS DE CHARGEMENT / LOADING ARM (2/2) |
| 14 – PINCE DE CHARGEMENT / LOADING CLAMP |
| 15 – CYLINDRE TIMON / DRAWBAR CYLINDER |
| 16 – CYLINDRE ARBRE À CONVOYEUR / CONVEYOR SHAFT CYLINDER |
| 17 – CYLINDRE STOPPEUR DE BALLE / BALE STOPPER CYLINDER |
| 18 – CYLINDRE LEVAGE BRAS / ARM LIFTING CYLINDER |
| 19 – CYLINDRE EXTENSION BRAS / ARM EXTENSION CYLINDER |
| 20 – CYLINDRE PIVOT 1 & PIVOT 2 / PIVOT 1 & PIVOT 2 CYLINDER |
| 21 – CYL. PIVOT 3 & CYLINDRE SERRAGE DE LA PINCE / CLAMP GRIPPING CYLINDER |
| 22 – MOTEUR HYDRAULIQUE / HYDRAULIC MOTOR & VALVE |
| 23 – VALVE |
| 24 – FREIN HYDRAULIQUE / HYDRAULIC BRAKE |
| 25 – FREIN PNEUMATIQUE / PNEUMATIC BRAKE |
| 26 – FREIN À MAIN / HAND BRAKE |
| 27 – DÉCALQUES / DECALS |
| 28 – DIAGRAMME HYDRAULIQUE / HYDRAULIC DIAGRAM |
| 29 – DIAGRAMME ÉLECTRIQUE / ELECTRIC DIAGRAM |
| 30 – DIAGRAMME FREINS A AIR / AIR BRAKE DIAGRAM |
| 31 – DIAGRAMME FREINS HYDRAULIQUE / HYDRAULIC BRAKES DIAGRAM |
| 32 – LUMIÈRE DE ROUTE EUROPE / EUROPE ROAD LIGHT |
| 33 – LUMIÈRE DE ROUTE AMÉRIQUE / AMERICA ROAD LIGHT |
| 34 – OPTION : SYSTEME DE CONTENTION / LOAD SECURITY SYSTEM |
| 35 – DIAGRAMME HYDRAULIQUE SYSTEME DE CONTENTION/LOAD SECURITY SYSTEM DIAGRAM |
| 36 – BARRE ANTI-ENCASTREMENT / UNDERRUNNING BAR |
| 37 – FREIN DES ROULEAUX DU CONVOYEUR / CONVEYOR ROLLER BRAKE |

Pour les commandes de pièces, utilisez le livre de pièces et trouvez l'item dont vous avez besoin et contacter votre revendeur ou contactez-nous directement à :

For any parts order, please use the parts manual to find the item you need and contact your dealer or contact us directly at:

GROUPE ANDERSON

5125 de la Plaisance

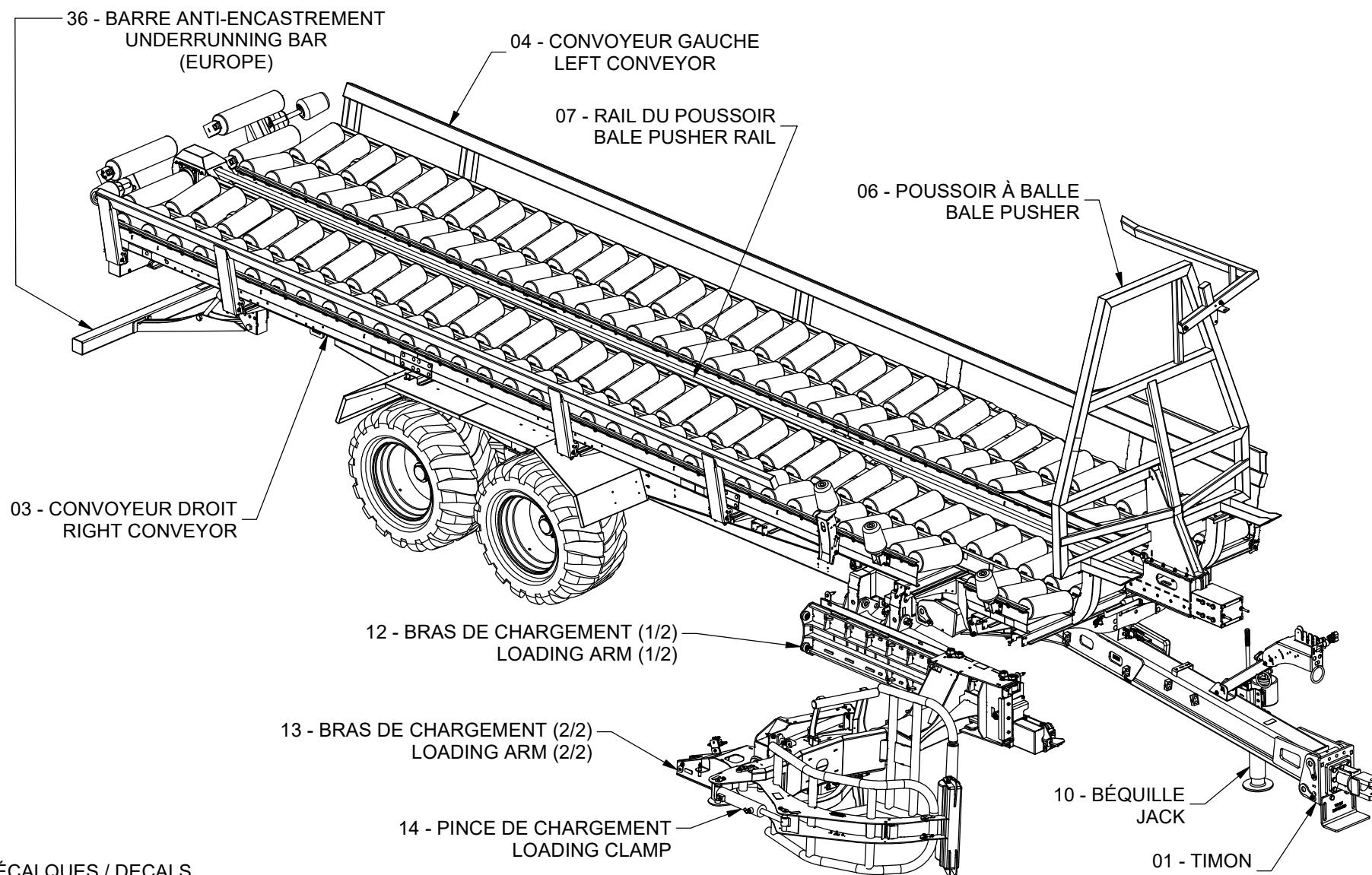
Chesterville (Québec)

CANADA G0P 1J0

Tel.: 819-382-2952 Fax: (819) 382-2643 Email: support@grpanderson.com

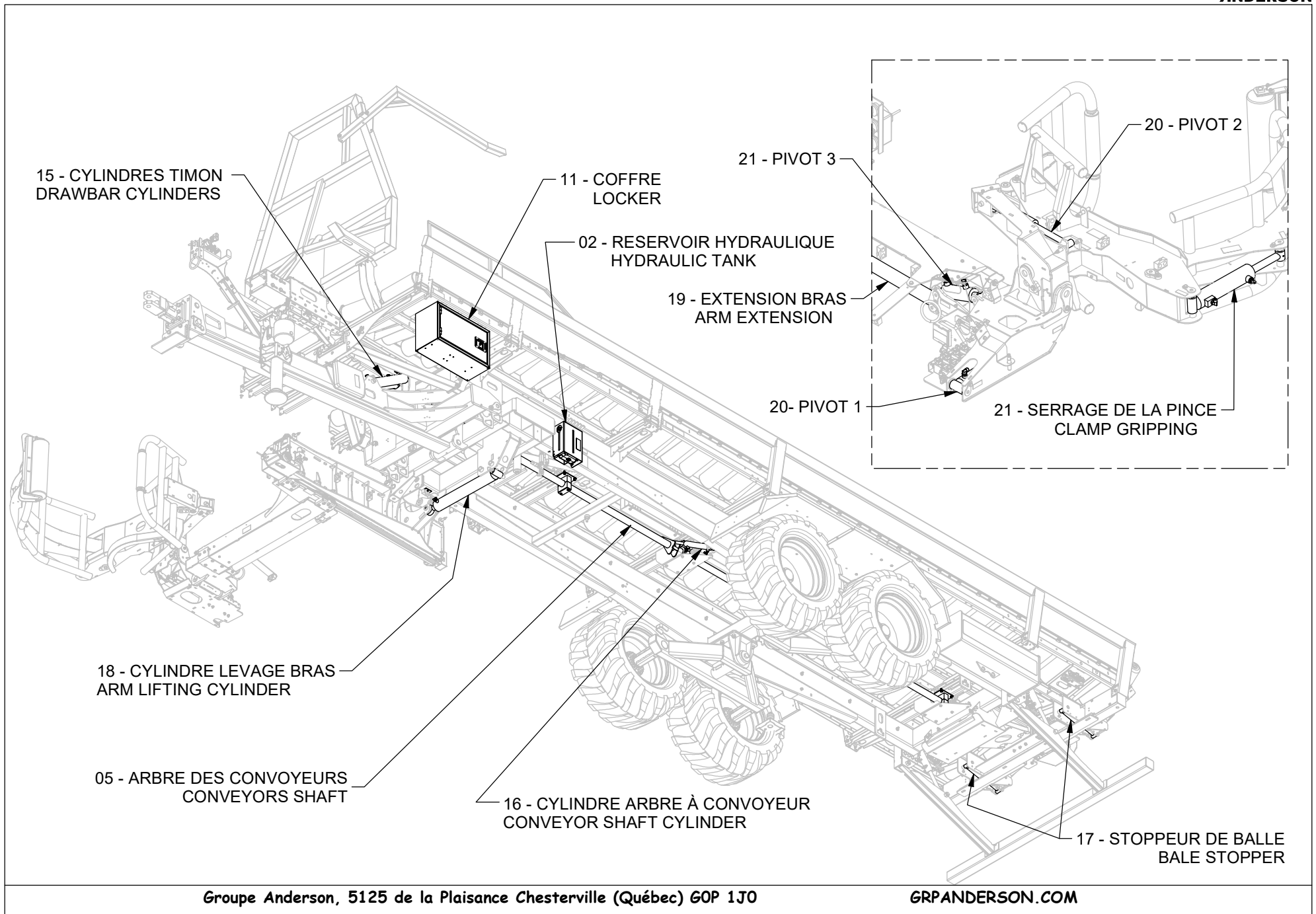
Visit our website: grpanderson.com

00 - GÉNÉRAL / GENERAL

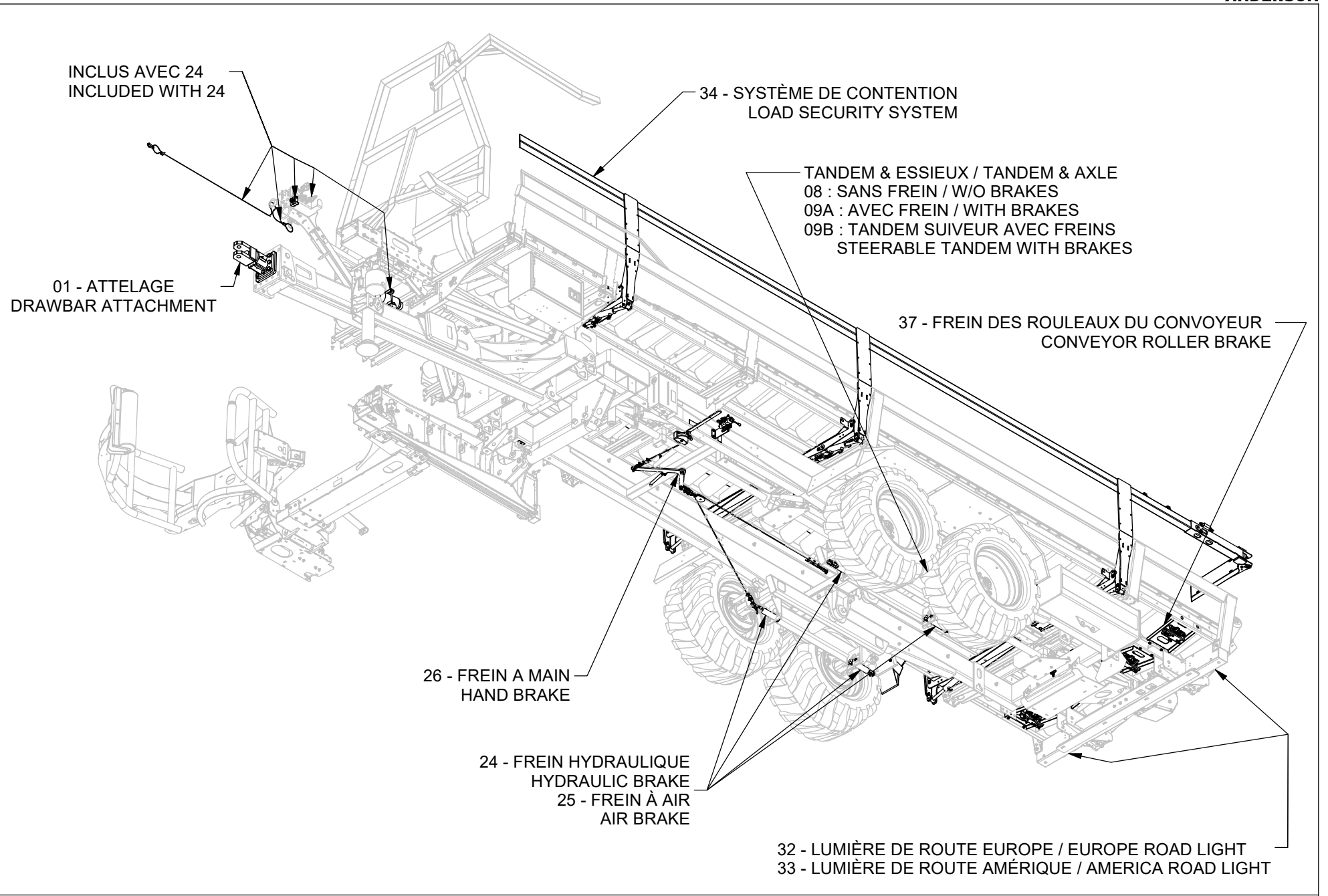


- 27 - DÉCALQUES / DECALS
- 28 - DIAGRAMME HYDRAULIQUE / HYDRAULIC DIAGRAM
- 29 - DIAGRAMME ÉLECTRIQUE / ELECTRIC DIAGRAM
- 30 - DIAGRAMME FREINS A AIR / AIR BRAKES DIAGRAM
- 31 - DIAGRAMME FREINS HYDRAULIQUES / HYDRAULIC BRAKE DIAGRAM

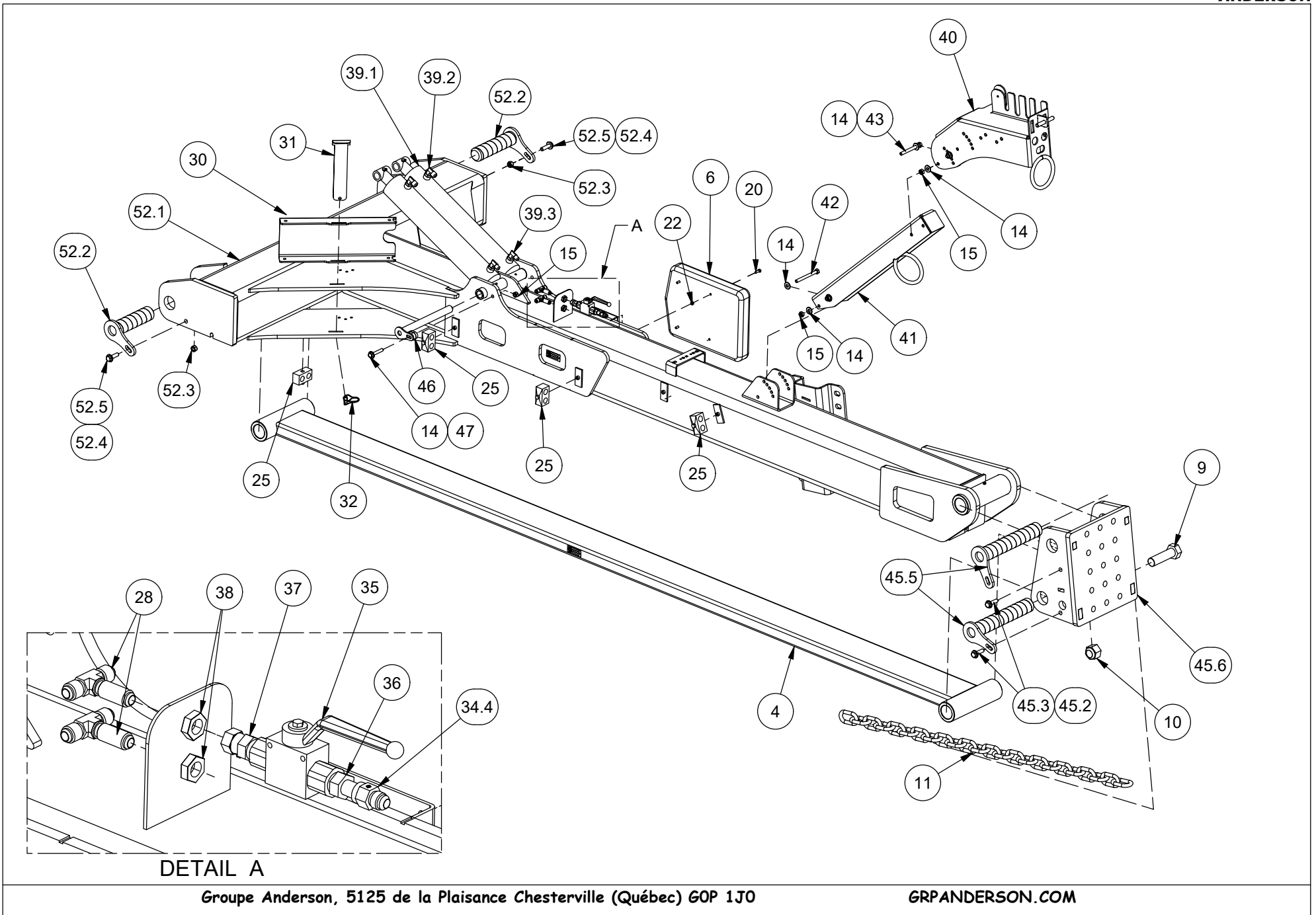
00 - CYLINDRES DE LA REMORQUE / TRAILER CYLINDERS



00 - OPTIONS DE LA REMORQUE / TRAILER OPTIONS



01 - TIMON / DRAWBAR



DETAIL A

01 - TIMON / DRAWBAR

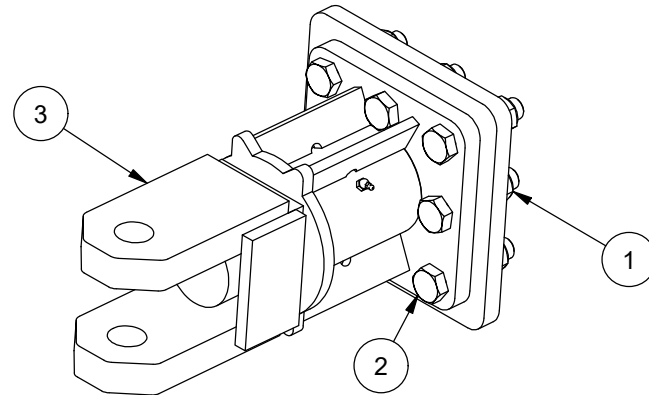


| ITEM | QT | PART/PIECE | ENGLISH DESCRIPTION | DESCRIPTION FRANCAISE | NOTE |
|------|----|-------------|-----------------------------------|-------------------------------------|------|
| 4 | 1 | 079-FRM-AH | LEVELING BAR | BARRE DE MISE A NIVEAU | |
| 6 | 1 | 325109-1 | MANUAL CASE | BOITIER DU MANUEL | |
| 9 | 1 | 500352 | BOLT 1 1/4 x 4 1/2 NC Z | BOULON 1 1/4 x 4 1/2 NC Z | |
| 10 | 1 | 501078 | HEX NYLON LOCKNUT GR5 1 1/4-7 Z | ÉCROU NYLON IND HEX GR5 1 1/4-7 Z | |
| 11 | 1 | 302021 | SECURITY CHAIN | CHAÎNE DE SÉCURITÉ | |
| 14 | 9 | 502004 | FLAT WASHER 3/8 Z | RONDELLE PLATE 3/8 Z | |
| 15 | 5 | 506039 | NYLON NUT M10 X 1.5 | ECROU NYLON M10 X 1.5 | |
| 20 | 4 | 506124 | HEX. BOLT M6 X 1 X 20mm CL8.8 | BOULON HEX. M6 X 1 X 20mm CL8.8 | |
| 22 | 4 | 506050 | HEX NUT M6 X 1 | ECROU NYLON M6 X 1 | |
| 25 | 4 | 470051 | HOSE SUPPORT | SUPPORT A BOYAU | |
| 28 | 2 | 450858 | 6 M.JIC - 6 M.JIC | 6 M.JIC - 6 M.JIC | |
| 30 | 1 | 079-FRM-196 | DOMPER CYLINDER BLOCKER | BÉQUILLE CYLINDRE DOMPEUR | |
| 31 | 1 | 079-FRM-198 | LOCK FOR DOMPER CYLINDER BLOCKER | BARRURE DE LA BÉQUILLE DOMPEUR | |
| 32 | 1 | 320031 | LOCK PIN | BARRURE | |
| 34.4 | 1 | 450448 | 5100-06-06 HOLE 1/16 | 5100-06-06 ORIFICE 1/16 | |
| 35 | 1 | 466998 | HYDRAULIC VALVE | VALVE HYDRAULIQUE | |
| 36 | 1 | 450542 | 6 M.JIC - 6 M.NPT | 6 M.JIC - 6 M.NPT | |
| 37 | 1 | 450994 | 6 F.JIC - 6 M.NPT | 6 F.JIC - 6 M.NPT | |
| 38 | 2 | 450897 | NUT FOR HYDRAULIC FITTING | ÉCROU POUR ADAPTEUR HYDRAULIQUE | |
| 39.1 | 1 | 467844 | CYLINDER | CYLINDRE | |
| 39.2 | 1 | 451265 | 8 M.JIC - 8 M.ORB 90° | 8 M.JIC - 8 M.ORB 90° | |
| 39.3 | 1 | 451261 | 6 M.JIC - 8 M.ORB | 6 M.JIC - 8 M.ORB | |
| 40 | 1 | 079-FRM-DA | TONGUE HOSE SUPPORT | SUPPORT BOYAU POLE | |
| 41 | 1 | 079-FRM-DB | TONGUE HOSE SUPPORT ARM | BRAS SUPPORT BOYAU TIMON | |
| 42 | 2 | 506111 | HEX. BOLT M10 X 1.5 X 110mm CL8.8 | BOULON HEX. M10 X 1.5 X 110mm CL8.8 | |
| 43 | 2 | 506178 | HEX. BOLT M10 X 1.5 X 100mm CL8.8 | BOULON HEX. M10 X 1.5 X 100mm CL8.8 | |
| 45.2 | 2 | 502006 | FLAT WASHER 1/2 Z-SAE | RONDELLE PLATE 1/2 Z-SAE | |
| 45.3 | 2 | 506102 | HEX. BOLT M12 X 1.75 X 45mm CL8.8 | BOULON HEX. M12 X 1.75 X 45mm CL8.8 | |
| 45.5 | 2 | 079-FRM-AI | PIN | AXE | |
| 45.6 | 1 | 079-FRM-AG | POLE FRONT PART | PARTIE AVANT DU TIMON | |
| 46 | 1 | 079-FRM-BC | PIN | AXE | |
| 47 | 1 | 506065 | HEX. BOLT M10 X 1.5 X 60 mm CL8.8 | BOULON HEX. M10 X 1.5 X 60 mm CL8.8 | |
| 52.1 | 1 | 079-FRM-AD | POLE | TIMON | |
| 52.2 | 2 | 079-FRM-AF | PIN | AXE | |
| 52.3 | 2 | 506040 | NYLON NUT M12 X 1.75 | ECROU NYLON M12 X 1.75 | |
| 52.4 | 2 | 502006 | FLAT WASHER 1/2 Z-SAE | RONDELLE PLATE 1/2 Z-SAE | |
| 52.5 | 2 | 506102 | HEX. BOLT M12 X 1.75 X 45mm CL8.8 | BOULON HEX. M12 X 1.75 X 45mm CL8.8 | |

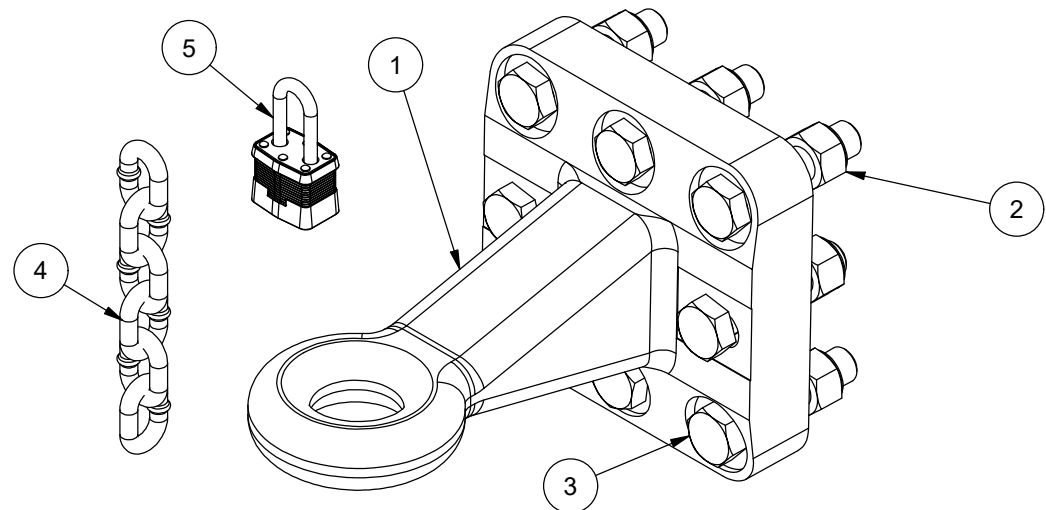
01 - TIMON / DRAWBAR



| ITEM | QT | PART/PIECE | ENGLISH DESCRIPTION | DESCRIPTION FRANCAISE | NOTE |
|------|----|------------|----------------------------------|------------------------------------|------|
| 1 | 8 | 506038 | NYLON NUT M20 X 2.5 | ECROU NYLON M20 X 2.5 | |
| 2 | 8 | 506170 | HEX. BOLT M20 X 2.5 X 90mm CL8.8 | BOULON HEX. M20 X 2.5 X 90mm CL8.8 | |
| 3 | 1 | 245164 | SWIVELL ATTACHMENT | MAIN TOURNANTE | |



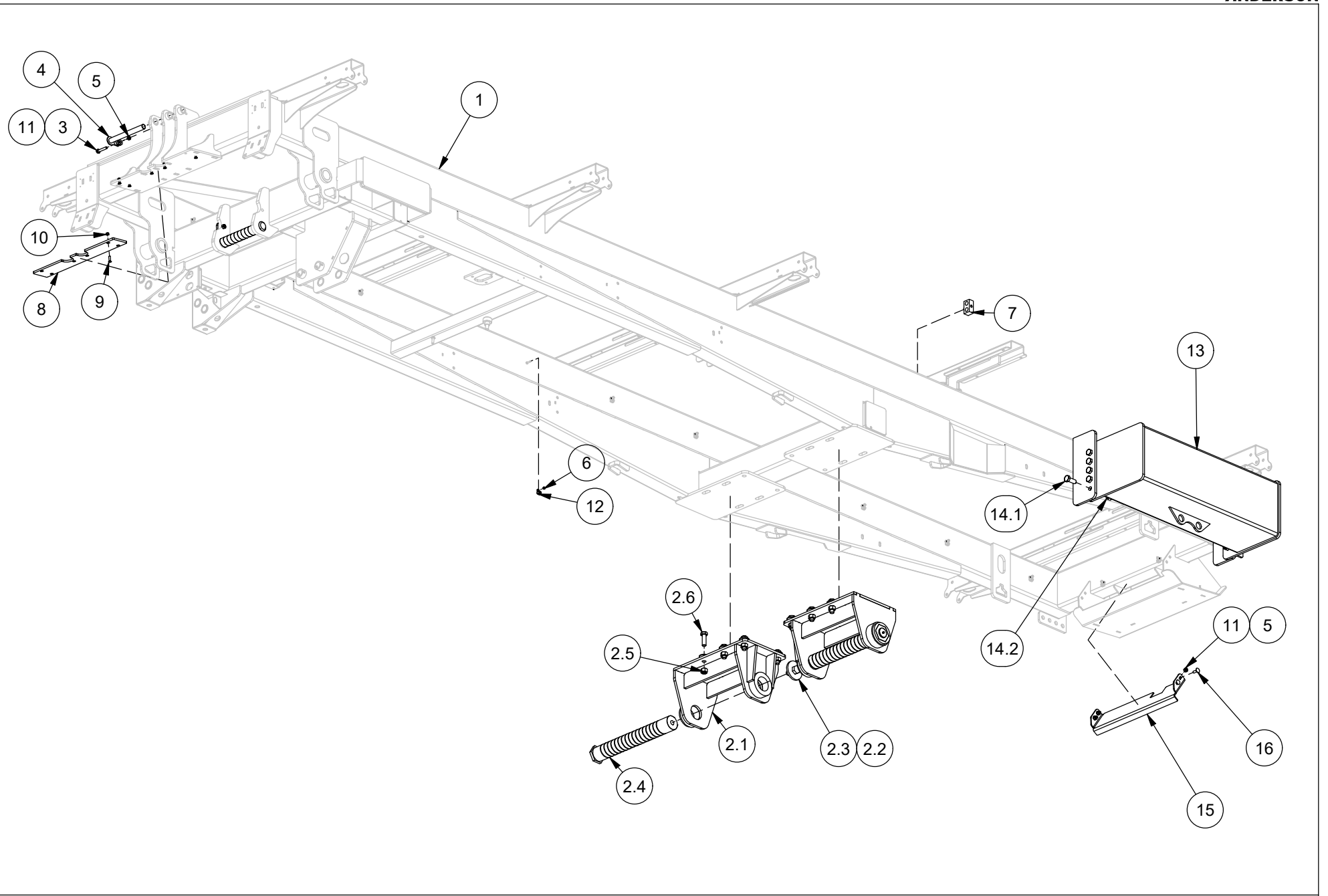
| ITEM | QT | PART/PIECE | ENGLISH DESCRIPTION | DESCRIPTION FRANCAISE | NOTE |
|------|----|------------|-----------------------------------|-------------------------------------|------|
| 1 | 1 | 213078 | TWING EYE COUPLING | MAIN À ANNEAU | |
| 2 | 8 | 506038 | NYLON NUT M20 X 2.5 | ECROU NYLON M20 X 2.5 | |
| 3 | 8 | 506187 | HEX. BOLT M20 X 2.5 X 90mm CL10.9 | BOULON HEX. M20 X 2.5 X 90mm CL10.9 | |
| 4 | 1 | 302077 | CHAIN | CHAINE | |
| 5 | 1 | 325502 | PADLOCK | CADENAS | |



CHAINE ET CADENAS SONT FOURNIS COMME DISPOSITIFS DE PROTECTION CONTRE UNE UTILISATION NON AUTORISÉE.

CHAIN AND PADLOCK ARE PROVIDED AS PROTECTIVE DEVICES AGAINST UNAUTHORIZED USE.

02 - CHASSIS / FRAME

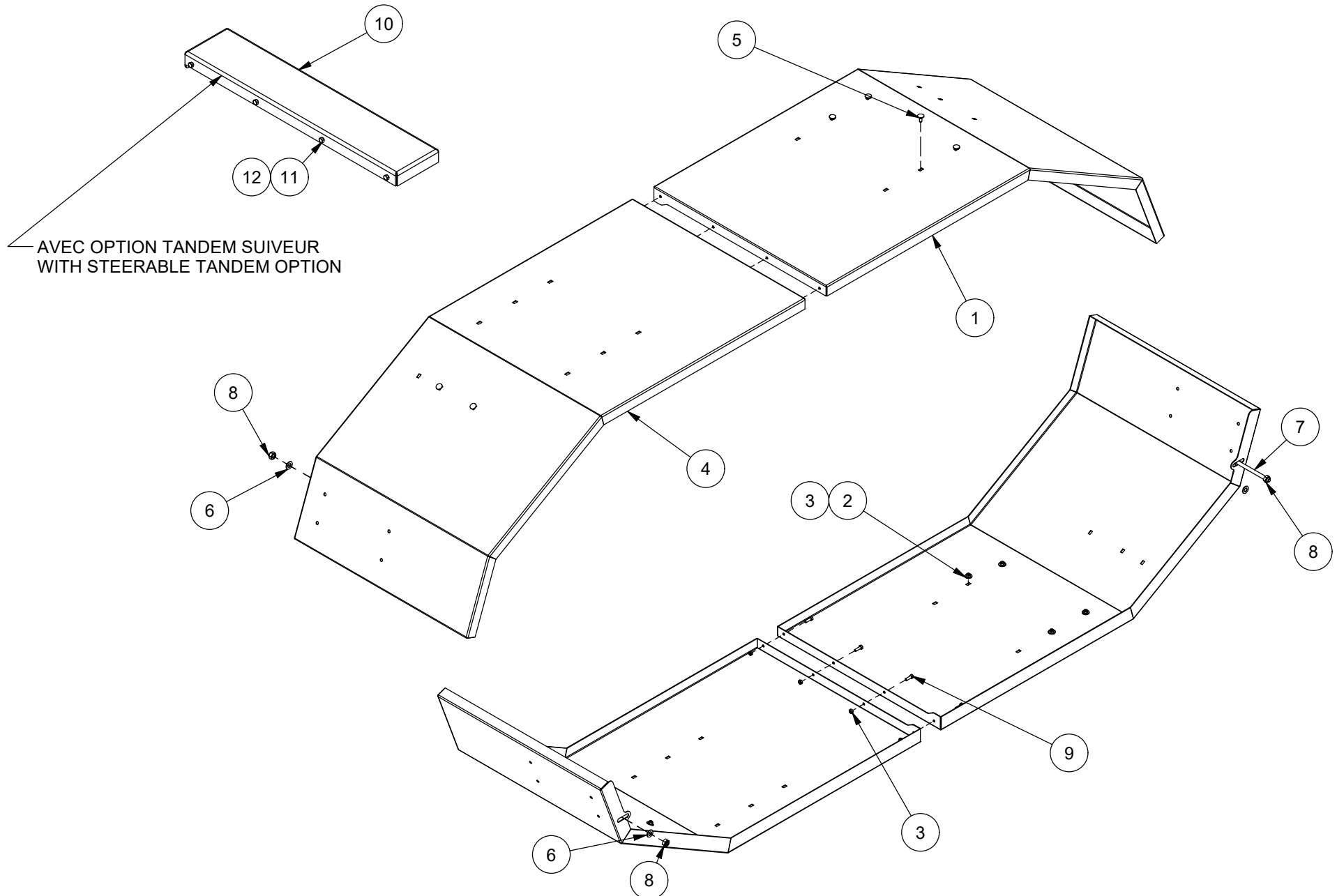


02 - CHASSIS / FRAME



| ITEM | QT | PART/PIECE | ENGLISH DESCRIPTION | DESCRIPTION FRANCAISE | NOTE |
|------|----|-------------|---|---|------|
| 1 | 1 | 079-FRM-BU | FRAME | CHASSIS | |
| 2.1 | 2 | 079-FRM-AC | TANDEM SUPPORT | SUPPORT DE TANDEM | |
| 2.2 | 2 | 500319 | HEX BOLT GR5 1-14 X /2 Z | BOULON HEX GR5 1-14 X 2 Z | |
| 2.3 | 2 | 234145 | BRACKET | FERRURE | |
| 2.4 | 2 | 079-TAN-AC | TANDEM PIN | AXE DU TANDEM | |
| 2.5 | 12 | 506038 | NYLON NUT M20 X 2.5 | ECROU NYLON M20 X 2.5 | |
| 2.6 | 12 | 506054 | HEX. BOLT M16 X 2.5 X 60mm CL8.8 | BOULON HEX. M20 X 2.5 X 60mm CL8.8 | |
| 3 | 1 | 506065 | HEX. BOLT M10 X 1.5 X 60 mm CL8.8 | BOULON HEX. M10 X 1.5 X 60 mm CL8.8 | |
| 4 | 1 | 079-FRM-BD | DOMPER CYLINDER PIN | AXE DU CYLINDRE DOMPEUR | |
| 5 | 5 | 506039 | NYLON NUT M10 X 1.5 | ECROU NYLON M10 X 1.5 | |
| 6 | 13 | 506050 | HEX NUT M6 X 1 | ECROU NYLON M6 X 1 | |
| 7 | 6 | 470051 | HOSE SUPPORT | SUPPORT A BOYAU | |
| 8 | 1 | 488101 | TEFLON SHEET | FEUILLE DE TEFLON | |
| 9 | 6 | 506116 | HEX FLAT HEAD CAP SCREW GR5 5/16-18 X 1 1/2 | VIS A TETE FRAISÉE ALLEN M8-1.25 X 30MM | |
| 10 | 6 | 506051 | NYLON NUT M8 X 1.25 | ECROU NYLON M8 X 1.25 | |
| 11 | 5 | 502019 | FLAT WASHER M10 Z | RONDELLE PLATE M10 Z | |
| 12 | 13 | 320068-3 | CABLE CLAMP | SERRE-CABLE | |
| 13 | 1 | 079-FRM-DK | COUNTER WEIGHT | CONTRE POIDS | |
| 14.1 | 10 | 506080 | HEX. BOLT M16 X 2.5 X 50mm CL8.8 | BOULON HEX. M20 X 2.5 X 50mm CL8.8 | |
| 14.2 | 10 | 506038 | NYLON NUT M20 X 2.5 | ECROU NYLON M20 X 2.5 | |
| 15 | 1 | 079-FRM-278 | COVER REAR SKATE LONG FRAME RBM | COUVERT PATIN ARRIÈRE FRAME LONG RBM | |
| 16 | 4 | 500705 | CARRIAGE BOLT M10 X 1.50 X 30 CL4.6 | BOULON CAROSSERIE M10 X 1.50 X 30 CL4.6 | |

02 - AILES (SI ÉQUIPÉ) / FENDERS (WHEN EQUIPPED)



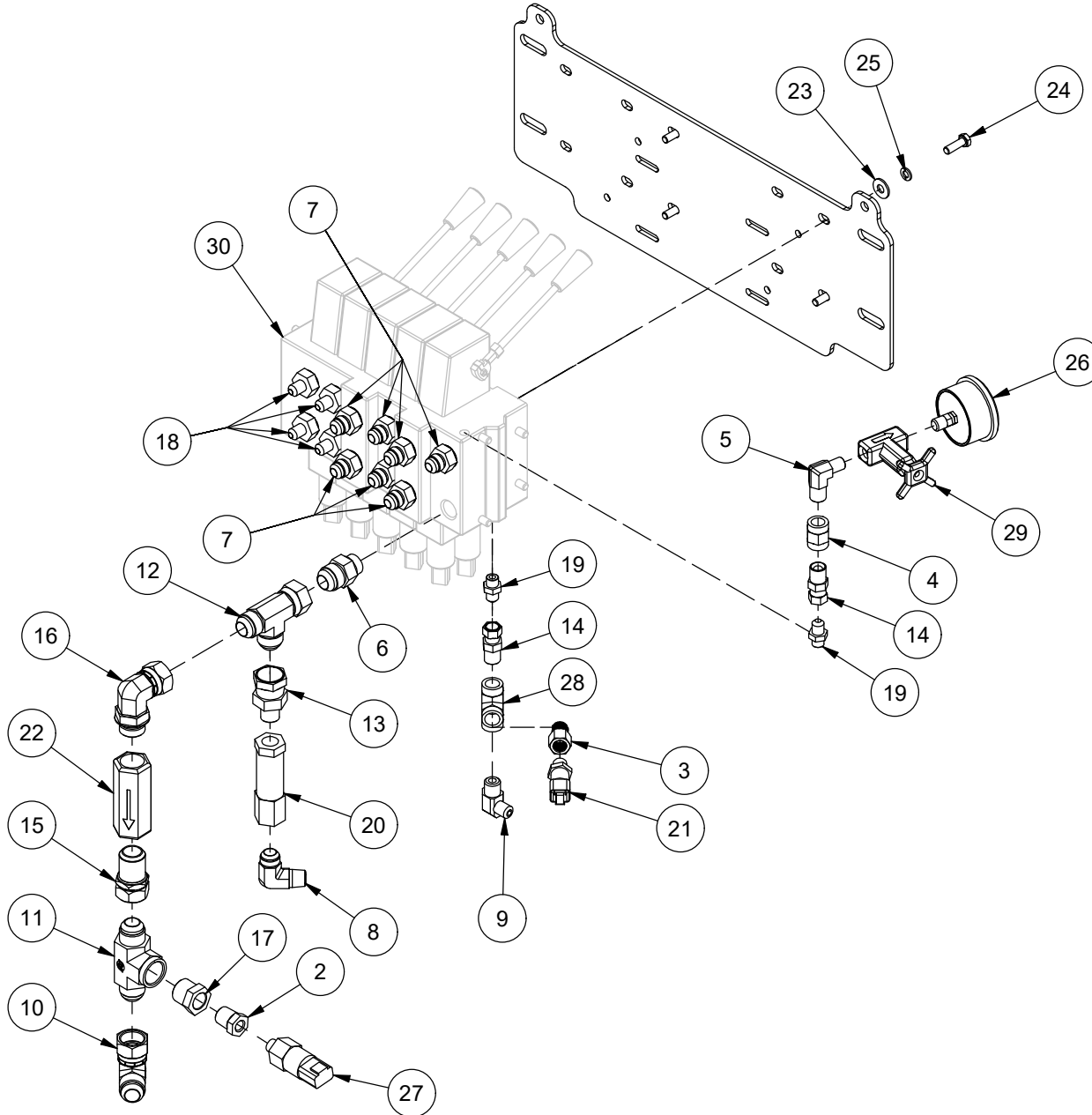
02 - AILES (SI ÉQUIPÉ) / FENDERS (WHEN EQUIPPED)



| ITEM | QT | PART/PIECE | ENGLISH DESCRIPTION | DESCRIPTION FRANCAISE | NOTE |
|------|----|---------------|-----------------------------------|---------------------------------------|------|
| 1 | 1 | 079-FRM-094-M | FENDER | AILE | |
| 2 | 6 | 502002 | FLAT WASHER 1/4 Z | RONDELLE PLATE 1/4 Z | |
| 3 | 10 | 506050 | HEX NUT M6 X 1 | ECROU NYLON M6 X 1 | |
| 4 | 1 | 079-FRM-094 | FENDER | AILE | |
| 5 | 6 | 506157 | CARRIAGE BOLT M6 X 1.0 X 16 CL8.8 | BOULON CAROSSERIE M6 X 1.0 X 16 CL8.8 | |
| 6 | 4 | 502019 | FLAT WASHER M10 Z | RONDELLE PLATE M10 Z | |
| 7 | 2 | 506171 | HEX. BOLT M10 X 1.5 X 120mm CL8.8 | BOULON HEX. M10 X 1.5 X 120mm CL8.8 | |
| 8 | 2 | 506039 | NYLON NUT M10 X 1.5 | ECROU NYLON M10 X 1.5 | |
| 9 | 4 | 506124 | HEX. BOLT M6 X 1 X 20mm CL8.8 | BOULON HEX. M6 X 1 X 20mm CL8.8 | |

| ITEM | QT | PART/PIECE | ENGLISH DESCRIPTION | DESCRIPTION FRANCAISE | NOTE |
|------|----|-------------|-------------------------------|---------------------------------|------|
| 10 | 2 | 079-FRM-236 | FENDER EXTENSION | EXTENSION D'AILE | |
| 11 | 8 | 506124 | HEX. BOLT M6 X 1 X 20mm CL8.8 | BOULON HEX. M6 X 1 X 20mm CL8.8 | |
| 12 | 8 | 506050 | HEX NUT M6 X 1 | ECROU NYLON M6 X 1 | |

02 - CHASSIS / FRAME

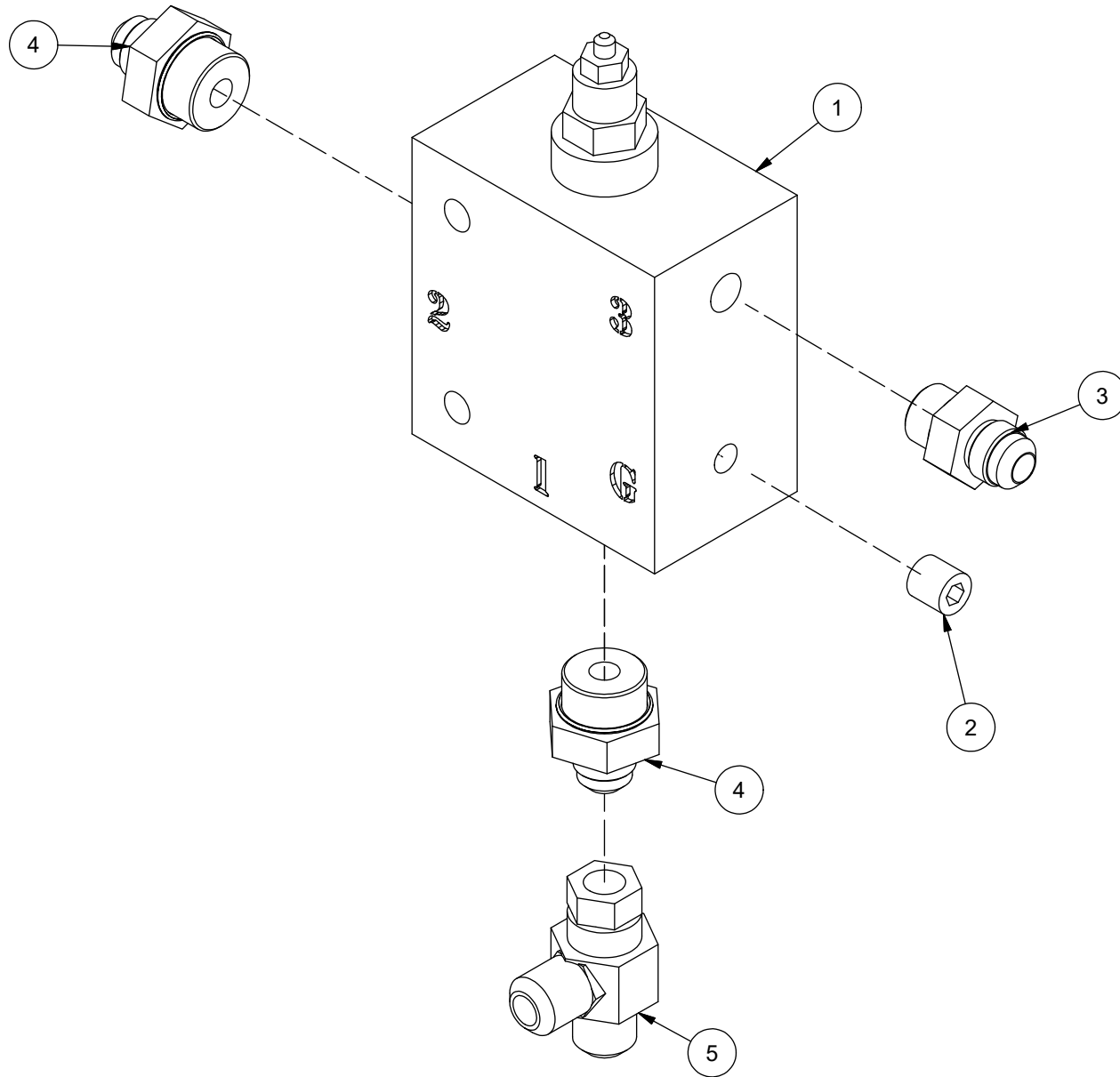


02 - CHASSIS / FRAME



| ITEM | QT | PART/PIECE | ENGLISH DESCRIPTION | DESCRIPTION FRANCAISE | NOTE |
|------|----|-------------|----------------------------------|------------------------------------|------|
| 1 | 1 | 079-FRM-188 | VALVE SUPPORT | SUPPORT DE VALVE | |
| 2 | 1 | 450024 | 8 M.NPT - 4 F.NPT | 8 M.NPT - 4 F.NPT | |
| 3 | 1 | 451089 | 6 F ORB - 6 M ORB | 6 F ORB - 6 M ORB | |
| 4 | 1 | 450105 | 6 F.NPT - 6 F.NPT | 6 F.NPT - 6 F.NPT | |
| 5 | 1 | 450193 | 6 M.NPT - 4 M.NPT 90° | 6 M.NPT - 4 M.NPT 90° | |
| 6 | 1 | 451189 | 12 M.JIC - 10 M.ORB | 12 M.JIC - 10 M.ORB | |
| 7 | 7 | 451179 | 8 M JIC - 10 M ORB | 8 M JIC - 10 M ORB | |
| 8 | 1 | 450716 | HYDRAULIC FITTING | ADAPTEUR HYDRAULIQUE | |
| 9 | 1 | 450711 | HYDRAULIC FITTING | ADAPTEUR HYDRAULIQUE | |
| 10 | 1 | 450959 | HYDRAULIC FITTING | ADAPTEUR HYDRAULIQUE | |
| 11 | 1 | 450850 | HYDRAULIC FITTING | ADAPTEUR HYDRAULIQUE | |
| 12 | 1 | 450975 | HYDRAULIC FITTING | ADAPTEUR HYDRAULIQUE | |
| 13 | 1 | 450999 | 12 F.JIC - 8 M.NPT | 12 F.JIC - 8 M.NPT | |
| 14 | 2 | 450994 | 6 F.JIC - 6 M.NPT | 6 F.JIC - 6 M.NPT | |
| 15 | 1 | 451385 | HYDRAULIC FITTING | ADAPTEUR HYDRAULIQUE | |
| 16 | 1 | 451427 | HYDRAULIC FITTING | ADAPTEUR HYDRAULIQUE | |
| 17 | 1 | 450029 | 12 M.NPT - 8 F.NPT | 12 M.NPT - 8 F.NPT | |
| 18 | 4 | 451173 | 6 M.JIC - 10 M.ORB | 6 M.JIC - 10 M.ORB | |
| 19 | 2 | 451171 | 6 M.JIC- 6M.ORB | 6 M.JIC- 6M.ORB | |
| 20 | 1 | 465107 | CHECK VALVE 1000 PSI | VALVE ANTI-RETOUR 1000 PSI | |
| 21 | 1 | 900669 | PRESSURE SENSOR | CAPTEUR DE PRESSION | |
| 22 | 1 | 450577 | CHECK VALVE | ANTI-RETOUR | |
| 23 | 4 | 502014 | FLAT WASHER 5/16 Z | RONDELLE PLATE 5/16 Z | |
| 24 | 4 | 506001 | HEX. BOLT M8 X 1.25 X 25mm CL8.8 | BOULON HEX. M8 X 1.25 X 25mm CL8.8 | |
| 25 | 4 | 502046 | LOCK WASHER 5/16 Z | RONDELLE DE BLOCAGE 5/16 Z | |
| 26 | 1 | 470076 | PRESSURE GAUGE 5000 PSI | MANOMETRE 5000 PSI | |
| 27 | 1 | 466932 | PRESSURE SENSOR 900 PSI | CAPTEUR DE PRESSION 900 PSI | |
| 28 | 1 | 450242 | 6 F.NPT | 6 F.NPT | |
| 29 | 1 | 466106 | STOP VALVE | VALVE D'ARRÊT | |
| 30 | 1 | 465025 | VALVE | VALVE | |

02 - CHASSIS / FRAME

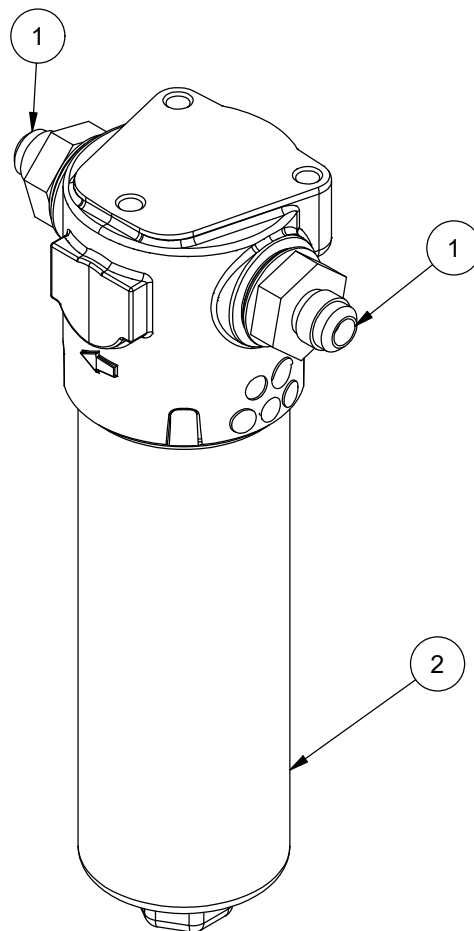


02 - CHASSIS / FRAME



| ITEM | QT | PART/PIECE | ENGLISH DESCRIPTION | DESCRIPTION FRANCAISE | NOTE |
|------|----|------------|-------------------------|----------------------------|------|
| 1 | 1 | 465872 | PRESSURE RELIEF VALVE | VALVE LIMITEUR DE PRESSION | |
| 2 | 1 | 450062 | PLUG 4 M.NPT HOLLOW HEX | PLUG 4 M.NPT HOLLOW HEX | |
| 3 | 1 | 451178 | 8 M.JIC - 8 M.ORB | 8 M.JIC - 8 M.ORB | |
| 4 | 2 | 451181 | 8 M.JIC - 16 M.ORB | 8 M.JIC - 16 M.ORB | |
| 5 | 1 | 450973 | HYDRAULIC FITTING | ADAPTEUR HYDRAULIQUE | |

02 - CHASSIS / FRAME



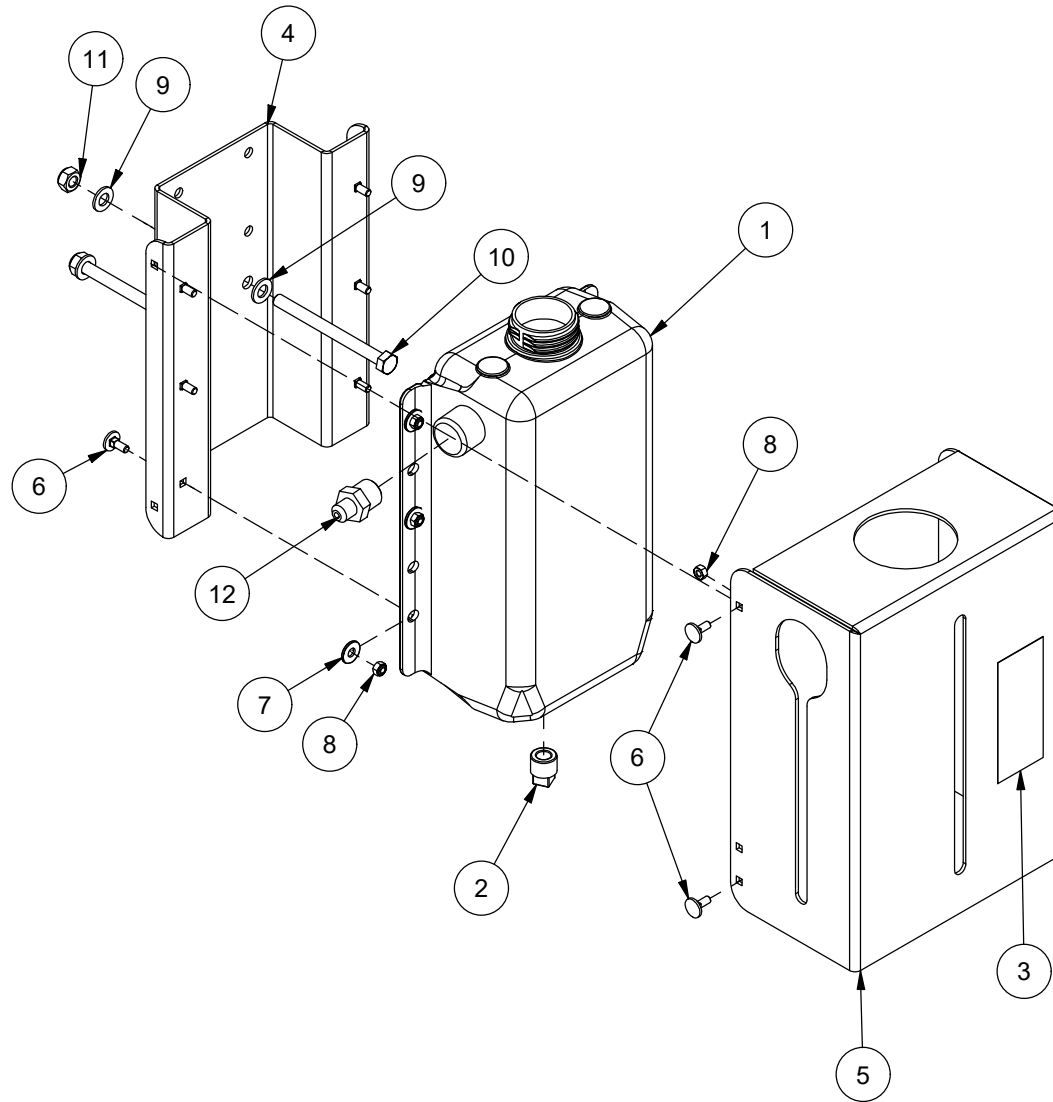
02 - CHASSIS / FRAME



ANDERSON

| ITEM | QT | PART/PIECE | ENGLISH DESCRIPTION | DESCRIPTION FRANCAISE | NOTE |
|------|----|------------|----------------------------|--------------------------|-------------------------------|
| 1 | 2 | 451180 | HYDRAULIC FITTING | ADAPTEUR HYDRAULIQUE | |
| 2 | 1 | 470074 | HIGH PRESSURE FILTER HF745 | FILTRE HT PRESSION HF745 | CARTRIDGE/CARTOUCHE : #470075 |

02 - CHASSIS / FRAME

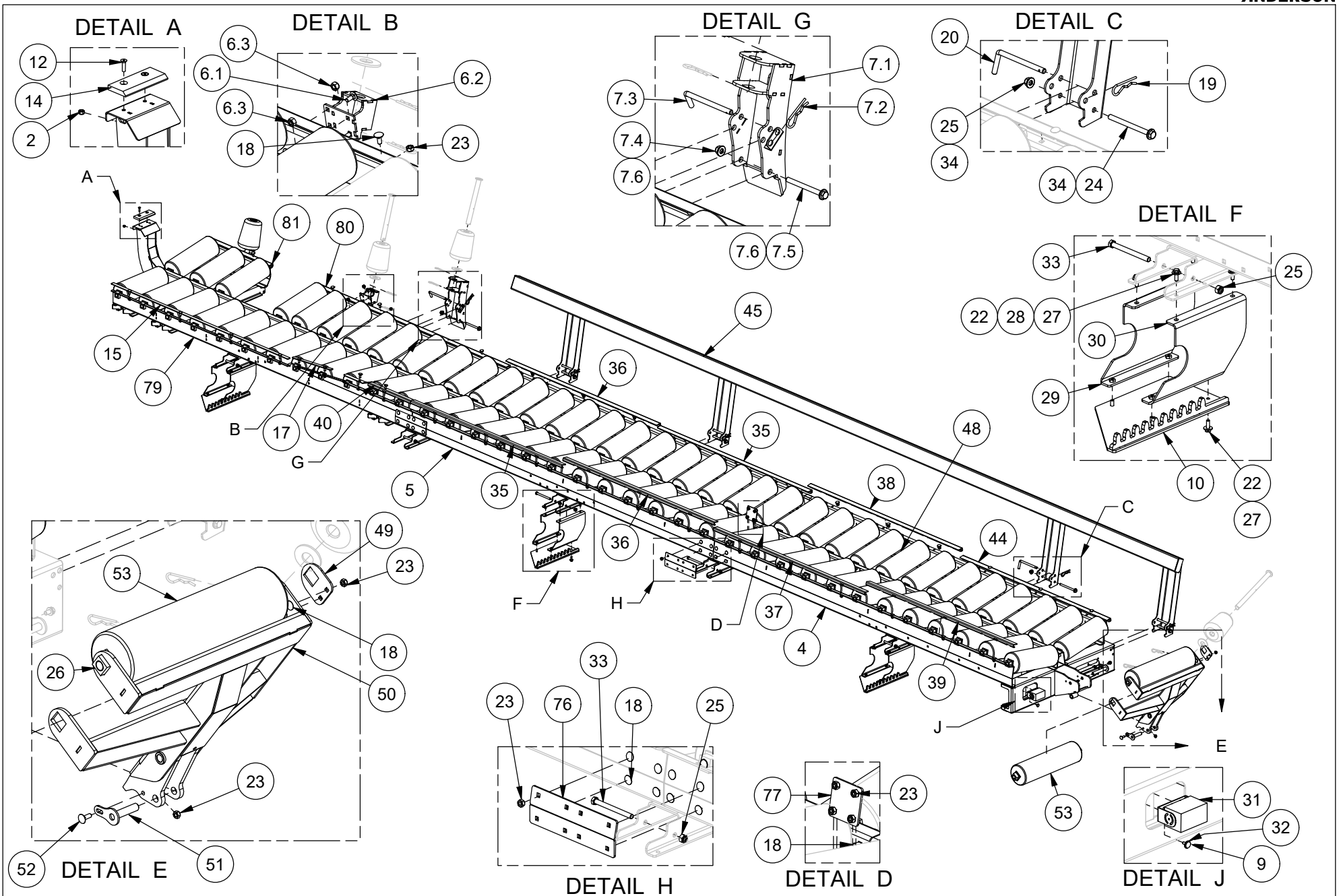


02 - CHASSIS / FRAME



| ITEM | QT | PART/PIECE | ENGLISH DESCRIPTION | DESCRIPTION FRANCAISE | NOTE |
|------|----|-------------|-----------------------------------|--|------|
| 1 | 1 | 470073 | TANK 5 QUART | RESERVOIR 5 QUART | |
| 2 | 1 | 450073 | PLUG | BOUCHON | |
| 3 | 1 | 404390 | OIL TANK STICKER | DECALQUE RESERVOIR D'HUILE | |
| 4 | 1 | 079-FRM-303 | TANK SUPPORT | SUPPORT RÉSERVOIR | |
| 5 | 1 | 079-FRM-304 | TANK COVER | COUVERT RÉSERVOIR | |
| 6 | 10 | 506157 | CARRIAGE BOLT M6 X 1.0 X 16 CL8.8 | BOULON CARROSSERIE M6 X 1.0 X 16 CL8.8 | |
| 7 | 6 | 502002 | FLAT WASHER 1/4 Z | RONDELLE PLATE 1/4 Z | |
| 8 | 10 | 506050 | HEX NUT M6 X 1 | ECROU NYLON M6 X 1 | |
| 9 | 4 | 502019 | FLAT WASHER M10 Z | RONDELLE PLATE M10 Z | |
| 10 | 2 | 506171 | HEX. BOLT M10 X 1.5 X 120mm CL8.8 | BOULON HEX. M10 X 1.5 X 120mm CL8.8 | |
| 11 | 2 | 506039 | NYLON NUT M10 X 1.5 | ECROU NYLON M10 X 1.5 | |
| 12 | 1 | 450549 | 8 M.JIC - 12 M.NPT | 8 M.JIC - 12 M.NPT | |

03 - CONVOYEUR DROIT - RIGHT CONVEYOR

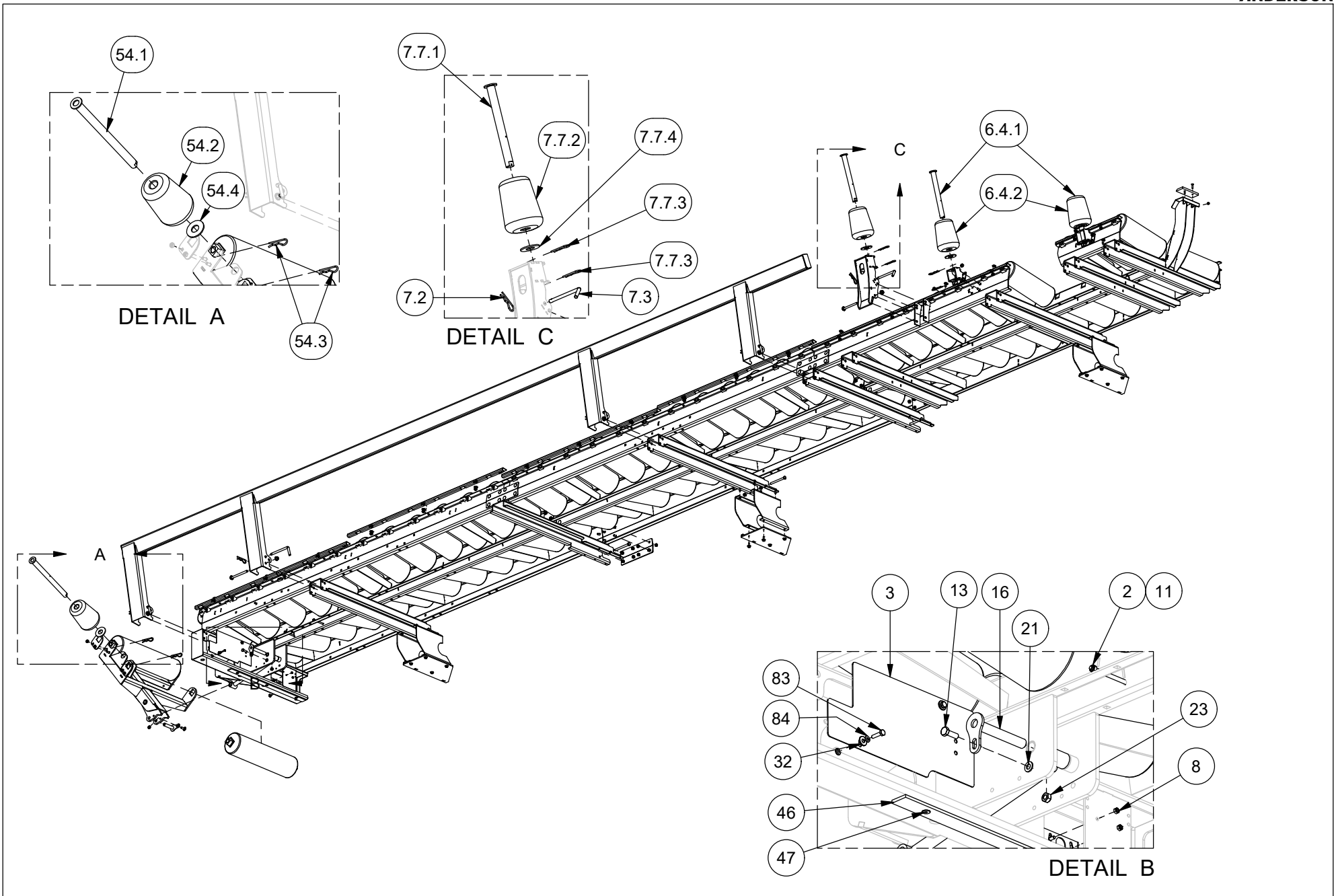


03 - CONVOYEUR DROIT - RIGHT CONVEYOR



| ITEM | QT | PART/PIECE | ENGLISH DESCRIPTION | DESCRIPTION FRANCAISE | NOTE |
|------|-----|---------------|---|---|------|
| 2 | 7 | 506051 | NYLON NUT M8 X 1.25 | ECROU NYLON M8 X 1.25 | |
| 4 | 1 | 079-CON-AD | RIGHT REAR CONVEYOR FRAME | CHASSIS CONVOYEUR ARR. DROIT | |
| 5 | 1 | 079-CON-AB | CENTER RIGHT CONVEYOR FRAME | CHASSIS CONVOYEUR CENTRE DROIT | |
| 6.1 | 4 | 500700 | CARRIAGE BOLT M10 X 1.50 X 25 CL8.8 | BOULON CAROSSERIE M10 X 1.50 X 25 CL8.8 | |
| 6.2 | 1 | 079-CON-BC | CONICAL ROLL SUPPORT | SUPPORT DE ROULEAU CONIQUE | |
| 6.3 | 4 | 506040 | NYLON NUT M12 X 1.75 | ECROU NYLON M12 X 1.75 | |
| 7.1 | 1 | 079-CON-BD | ROLLER GUIDE HOLDER | SUPPORT DE ROULEAU D'APPUI | |
| 7.2 | 1 | 320039 | HITCH PIN 3/16 | GOUPILLE D'ATTACHE 3/16 | |
| 7.3 | 1 | 320091 | PIN | GOUPILLE | |
| 7.4 | 1 | 506040 | NYLON NUT M12 X 1.75 | ECROU NYLON M12 X 1.75 | |
| 7.5 | 1 | 506017 | HEX. BOLT M12 X 1.75 X 60mm CL8.8 | BOULON HEX. M12 X 1.75 X 60mm CL8.8 | |
| 9 | 2 | 506157 | CARRIAGE BOLT M6 X 1.0 X 16 CL8.8 | BOULON CAROSSERIE M6 X 1.0 X 16 CL8.8 | |
| 10 | 3 | 079-CON-AN | BOTTOM RACK AND PIGNON | CREMAILLÈRE DU BAS | |
| 12 | 2 | 506116 | HEX FLAT HEAD CAP SCREW GR5 5/16-18 X 1 1/2 | VIS A TETE FRAISÉE ALLEN M8-1.25 X 30MM | |
| 14 | 1 | 079-CON-122 | PUSHER TEFLON SLIDER | GLISSIÈRE POUSSOIR | |
| 15 | 1 | 079-CON-100 | ROLL LOCKING PLATE | BARRURE DE ROULEAU | |
| 17 | 1 | 079-CON-101 | ROLL LOCKING PLATE | BARRURE DE ROULEAU | |
| 18 | 83 | 500700 | CARRIAGE BOLT M10 X 1.50 X 25 CL8.8 | BOULON CAROSSERIE M10 X 1.50 X 25 CL8.8 | |
| 19 | 4 | 320039 | HITCH PIN 3/16 | GOUPILLE D'ATTACHE 3/16 | |
| 20 | 4 | 320091 | PIN | GOUPILLE | |
| 22 | 24 | 506001 | HEX. BOLT M8 X 1.25 X 25mm CL8.8 | BOULON HEX. M8 X 1.25 X 25mm CL8.8 | |
| 23 | 92 | 506039 | NYLON NUT M10 X 1.5 | ECROU NYLON M10 X 1.5 | |
| 24 | 4 | 506142 | HEX. BOLT M12 X 1.75 X 150mm CL8.8 | BOULON HEX. M12 X 1.75 X 150mm CL8.8 | |
| 25 | 9 | 506040 | NYLON NUT M12 X 1.75 | ECROU NYLON M12 X 1.75 | |
| 26 | 146 | 279001 | PLASTIC BUSHING | MANCHON DE PLASTIQUE | |
| 27 | 24 | 502014 | FLAT WASHER 5/16 Z | RONDELLE PLATE 5/16 Z | |
| 28 | 24 | 502046 | LOCK WASHER 5/16 Z | RONDELLE DE BLOCAGE 5/16 Z | |
| 29 | 3 | 079-CON-BM | FRONT RACK AND PIGNON BRACKET | SUPPORT CREMAILLÈRE AV. | |
| 30 | 3 | 079-CON-BN | REAR RACK AND PIGNON BRACKET | SUPPORT CREMAILLÈRE ARR. | |
| 31 | 1 | 900759 | CAB CAMERA | CAB CAMÉRA | |
| 32 | 4 | 502002 | FLAT WASHER 1/4 Z | RONDELLE PLATE 1/4 Z | |
| 33 | 5 | 506017 | HEX. BOLT M12 X 1.75 X 60mm CL8.8 | BOULON HEX. M12 X 1.75 X 60mm CL8.8 | |
| 34 | 8 | 502006 | FLAT WASHER 1/2 Z-SAE | RONDELLE PLATE 1/2 Z-SAE | |
| 35 | 2 | 079-CON-131 | ROLL LOCKING PLATE 131 | BARRURE ROULEAU 131 | |
| 36 | 2 | 079-CON-131-S | ROLL LOCKING PLATE 131-S | BARRURE ROULEAUX 131-S | |
| 37 | 1 | 079-CON-132 | ROLL LOCKING PLATE 132 | BARRURE ROULEAUX 132 | |
| 38 | 1 | 079-CON-132-S | ROLL LOCKING PLATE 132-S | BARRURE ROULEAUX 132-S | |
| 39 | 1 | 079-CON-133 | ROLL LOCKING PLATE 133 | BARRURE ROULEAUX 133 | |
| 40 | 1 | 079-CON-134 | ROLL LOCKING PLATE 134 | BARRURE ROULEAUX 134 | |
| 44 | 1 | 079-CON-133-S | ROLL LOCKING PLATE 133-S | BARRURE ROULEAUX 133-S | |
| 45 | 1 | 079-CON-BT | BALE GUIDE | GUIDE-BALLE | |
| 48 | 71 | 210523 | TABLE PLASTIC ROLLERS 19"7/16 | ROULEAU NOIR 6" DIA X (19"7/16) | |
| 49 | 2 | 079-CON-015 | ROLL LOCKING PLATE | BARRURE DE ROULEAU | |
| 50 | 1 | 079-CON-AW | BALE STOPPER FRAME | CHASSIS ARRÊT BALLE | |
| 51 | 1 | 079-CON-AJ | BALE STOPPER CYLINDER PIN | AXE CYLINDRE ARRÊT BALLE | |
| 52 | 1 | 500705 | CARRIAGE BOLT M10 X 1.50 X 30 CL4.6 | BOULON CAROSSERIE M10 X 1.50 X 30 CL4.6 | |
| 53 | 2 | 224408 | BLACK ROLL 6" DIA X (25" 5/8) | ROULEAU NOIR 6" DIA X (25" 5/8) | |
| 76 | 4 | 079-CON-011 | CONVEYOR JUNCTION PLATE | PLAQUE DE JONCTION CONVOYEUR | |
| 77 | 4 | 079-CON-043 | CONVEYOR JUNCTION PLATE | PLAQUE DE JONCTION CONVOYEUR | |
| 79 | 1 | 087-CON-AA | CONVEYOR FRAME FRONT RIGHT | CHASSIS CONVOYEUR AVANT DROIT | |
| 80 | 1 | 087-CON-004 | ROLL LOCKING PLATE 004 | BARRURE ROULEAUX 004 | |
| 81 | 1 | 087-CON-005 | ROLL LOCKING PLATE 005 | BARRURE ROULEAUX 005 | |

03 - CONVOYEUR DROIT - RIGHT CONVEYOR

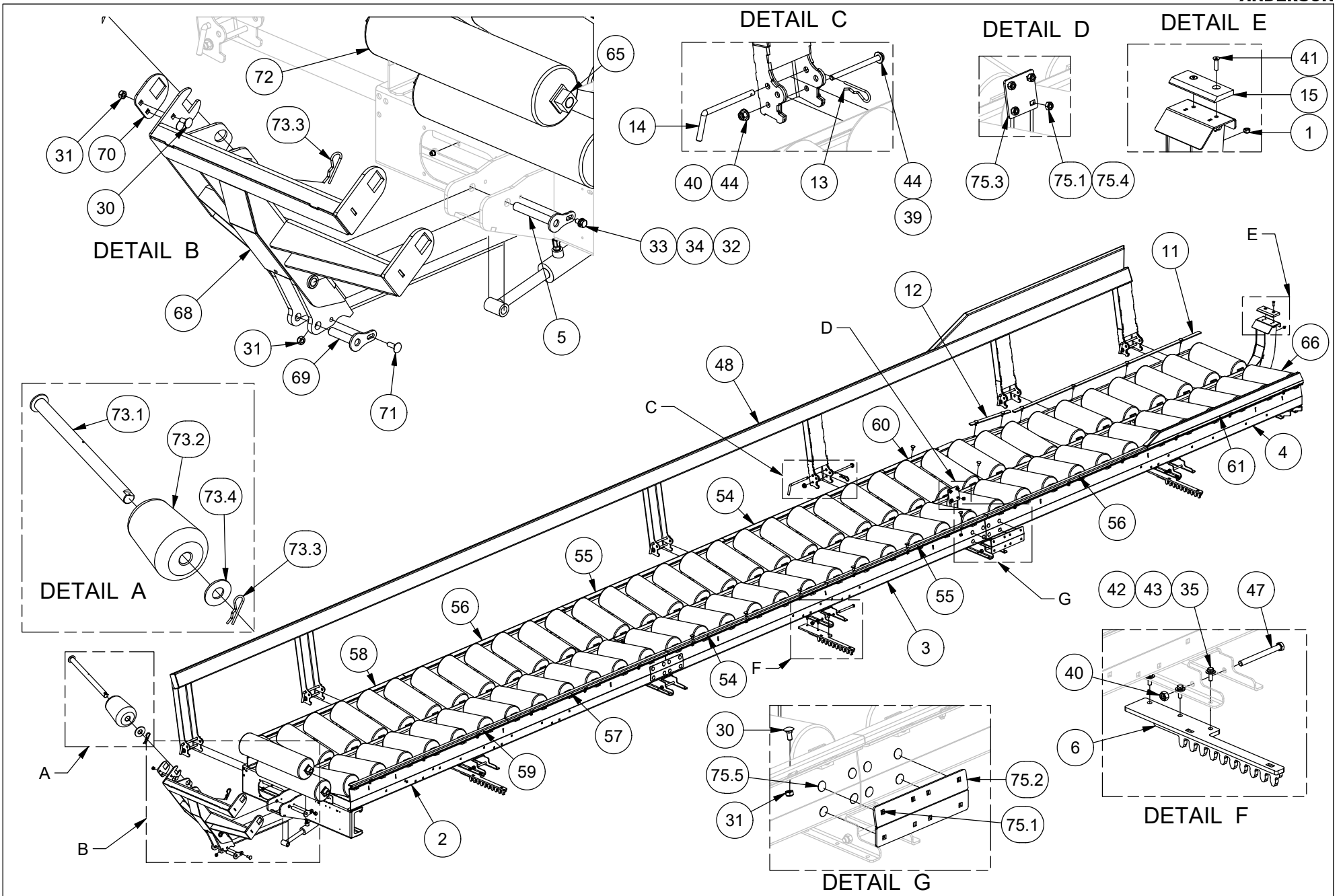


03 - CONVOYEUR DROIT - RIGHT CONVEYOR



| ITEM | QT | PART/PIECE | ENGLISH DESCRIPTION | DESCRIPTION FRANCAISE | NOTE |
|-------|----|-------------|--|---|------|
| 2 | 7 | 506051 | NYLON NUT M8 X 1.25 | ECROU NYLON M8 X 1.25 | |
| 3 | 1 | 079-CON-079 | CAPPING PLATE | PLAQUE DE FERMETURE | |
| 6.4.1 | 1 | 079-CON-CY | CONICAL ROLL SHAFT (SHORT) | ARBRE ROULEAU CONIQUE (COURT) | |
| 6.4.2 | 1 | 486248 | ROLL | ROULEAU | |
| 7.2 | 1 | 320039 | HITCH PIN 3/16 | GOUPILLE D'ATTACHE 3/16 | |
| 7.3 | 1 | 320091 | PIN | GOUPILLE | |
| 7.7.1 | 1 | 079-CON-CY | CONICAL ROLL SHAFT (SHORT) | ARBRE ROULEAU CONIQUE (COURT) | |
| 7.7.2 | 1 | 486248 | ROLL | ROULEAU | |
| 7.7.3 | 2 | 320039 | HITCH PIN 3/16 | GOUPILLE D'ATTACHE 3/16 | |
| 7.7.4 | 1 | 079-CON-240 | WASHER | RONDELLE | |
| 8 | 2 | 506050 | HEX NUT M6 X 1 | ECROU NYLON M6 X 1 | |
| 11 | 2 | 501140 | HEX. BOLT M8 X 1.25 X 100mm CL8.8 | BOULON HEX. M8 X 1.25 X 100mm CL8.8 | |
| 13 | 1 | 506009-2 | HEX. BOLT M10 X 1.5 X 30mm CL8.8 | BOULON HEX. M10 X 1.5 X 30mm CL8.8 | |
| 16 | 2 | 079-CON-AK | BALE STOPPER CYLINDER PIN | AXE DU CYLINDRE DE L'ARRET BALLE | |
| 21 | 2 | 502019 | FLAT WASHER M10 Z | RONDELLE PLATE M10 Z | |
| 23 | 92 | 506039 | NYLON NUT M10 X 1.5 | ECROU NYLON M10 X 1.5 | |
| 32 | 4 | 502002 | FLAT WASHER 1/4 Z | RONDELLE PLATE 1/4 Z | |
| 46 | 1 | 079-CON-142 | SLIDING PLATE CONVEYOR | PLAQUE GLISSEMENT CONVOYEUR | |
| 47 | 3 | 507052-1 | HEX FLAT SOCKET HEAD BOLT M8 X 1,25 - 25 | BOULON TÊTE CREUSE PLATE HEX M8 X 1,25 - 25 | |
| 54.1 | 1 | 079-CON-CZ | CONICAL ROLL SHAFT (LONG) | ARBRE ROULEAU CONIQUE (LONG) | |
| 54.2 | 1 | 486248 | ROLL | ROULEAU | |
| 54.3 | 2 | 320039 | HITCH PIN 3/16 | GOUPILLE D'ATTACHE 3/16 | |
| 54.4 | 1 | 079-CON-240 | WASHER | RONDELLE | |
| 83 | 2 | 500006 | HEX BOLT GR5 1/4-20 X 1 | BOULON HEX GR5 1/4-20 X 1 | |
| 84 | 2 | 502064 | LOCK WASHER 1/4 | RONDELLE DE BLOCAGE 1/4 | |

04 - CONVOYEUR GAUCHE - LEFT CONVEYOR

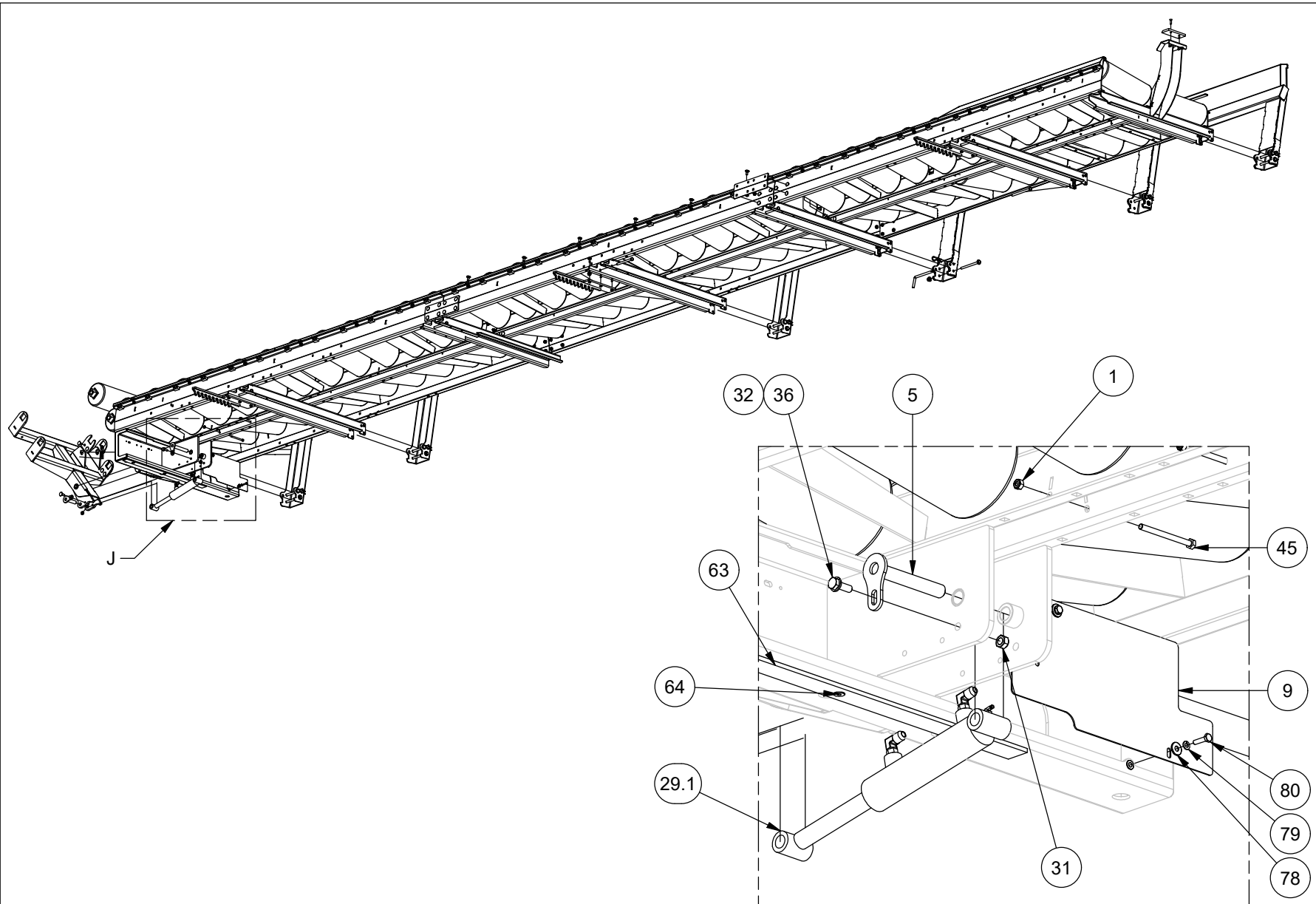


04 - CONVOYEUR GAUCHE - LEFT CONVEYOR



| ITEM | QT | PART/PIECE | ENGLISH DESCRIPTION | DESCRIPTION FRANCAISE | NOTE |
|------|-----|---------------|---|---|------|
| 1 | 8 | 506051 | NYLON NUT M8 X 1.25 | ECROU NYLON M8 X 1.25 | |
| 2 | 1 | 079-CON-AP | CONVEYOR FRAME REAR LEFT | CHASSIS CONVOYEUR ARRIERE GAUCHE | |
| 3 | 1 | 079-CON-AQ | CONVEYOR FRAME CENTER LEFT | CHASSIS CONVOYEUR CENTRE GAUCHE | |
| 4 | 1 | 086-CON-AP | CONVEYOR FRAME FRONT LEFT | CHASSIS CONVOYEUR AVANT GAUCHE | |
| 5 | 2 | 079-CON-AK | BALE STOPPER CYLINDER PIN | AXE DU CYLINDRE DE L'ARRET BALLE | |
| 6 | 3 | 079-CON-AO | BOTTON RACK AND PIGNON | CRÉMAILLÈRE DU BAS | |
| 11 | 1 | 079-CON-100 | ROLL LOCKING PLATE | BARRURE DE ROULEAU | |
| 12 | 1 | 079-CON-101 | ROLL LOCKING PLATE | BARRURE DE ROULEAU | |
| 13 | 6 | 320039 | HITCH PIN 3/16 | GOUPILLE D'ATTACHE 3/16 | |
| 14 | 6 | 320091 | PIN | GOUPILLE | |
| 15 | 1 | 079-CON-122 | PUSHER TEFLON SLIDER | GLISSIÈRE POUSSOIR | |
| 30 | 42 | 500700 | CARRIAGE BOLT M10 X 1.50 X 25 CL8.8 | BOULON CAROSSERIE M10 X 1.50 X 25 CL8.8 | |
| 31 | 43 | 506039 | NYLON NUT M10 X 1.5 | ECROU NYLON M10 X 1.5 | |
| 32 | 2 | 502019 | FLAT WASHER M10 Z | RONDELLE PLATE M10 Z | |
| 33 | 1 | 506009 | HEX. BOLT M10 X 1.5 X 20mm CL8.8 | BOULON HEX. M10 X 1.5 X 20mm CL8.8 | |
| 35 | 9 | 506001 | HEX. BOLT M8 X 1.25 X 25mm CL8.8 | BOULON HEX. M8 X 1.25 X 25mm CL8.8 | |
| 39 | 3 | 506186 | HEX. BOLT M12 X 1.75 X 160mm CL8.8 | BOULON HEX. M12 X 1.75 X 160mm CL8.8 | |
| 40 | 11 | 506040 | NYLON NUT M12 X 1.75 | ECROU NYLON M12 X 1.75 | |
| 41 | 2 | 506116 | HEX FLAT HEAD CAP SCREW GR5 5/16-18 X 1 1/2 | VIS A TETE FRAISÉE ALLEN M8-1.25 X 30MM | |
| 42 | 9 | 502014 | FLAT WASHER 5/16 Z | RONDELLE PLATE 5/16 Z | |
| 43 | 9 | 502046 | LOCK WASHER 5/16 Z | RONDELLE DE BLOCAGE 5/16 Z | |
| 44 | 12 | 502006 | FLAT WASHER 1/2 Z-SAE | RONDELLE PLATE 1/2 Z-SAE | |
| 47 | 5 | 506017 | HEX. BOLT M12 X 1.75 X 60mm CL8.8 | BOULON HEX. M12 X 1.75 X 60mm CL8.8 | |
| 48 | 1 | 079-CON-BS | BALE GUIDE | GUIDE-BALLE | |
| 54 | 2 | 079-CON-131 | ROLL LOCKING PLATE 131 | BARRURE ROULEAU 131 | |
| 55 | 2 | 079-CON-131-S | ROLL LOCKING PLATE 131-S | BARRURE ROULEAUX 131-S | |
| 56 | 2 | 079-CON-132 | ROLL LOCKING PLATE 132 | BARRURE ROULEAUX 132 | |
| 57 | 1 | 079-CON-132-S | ROLL LOCKING PLATE 132-S | BARRURE ROULEAUX 132-S | |
| 58 | 1 | 079-CON-133 | ROLL LOCKING PLATE 133 | BARRURE ROULEAUX 133 | |
| 59 | 1 | 079-CON-133-S | ROLL LOCKING PLATE 133-S | BARRURE ROULEAUX 133-S | |
| 60 | 1 | 079-CON-134 | ROLL LOCKING PLATE 134 | BARRURE ROULEAUX 134 | |
| 61 | 1 | 079-CON-BU | FRONT ROLLER PROTECTION | PROTECTION ROULEAU AVANT | |
| 65 | 148 | 279001 | PLASTIC BUSHING | MANCHON DE PLASTIQUE | |
| 66 | 72 | 210523 | TABLE PLASTIC ROLLERS 19"7/16 | ROULEAU NOIR 6" DIA X (19"7/16) | |
| 68 | 1 | 079-CON-AI | REAR LEFT STOPPER | BUTÉE ARRIERE GAUCHE | |
| 69 | 1 | 079-CON-AJ | BALE STOPPER CYLINDER PIN | AXE CYLINDRE ARRET BALLE | |
| 70 | 2 | 079-CON-015 | ROLL LOCKING PLATE | BARRURE DE ROULEAU | |
| 71 | 1 | 500705 | CARRIAGE BOLT M10 X 1.50 X 30 CL4.6 | BOULON CAROSSERIE M10 X 1.50 X 30 CL4.6 | |
| 72 | 2 | 224408 | BLACK ROLL 6" DIA X (25" 5/8) | ROULEAU NOIR 6" DIA X (25" 5/8) | |
| 73.1 | 1 | 079-CON-CZ | CONICAL ROLL SHAFT (LONG) | ARBRE ROULEAU CONIQUE (LONG) | |
| 73.2 | 1 | 486248 | ROLL | ROULEAU | |
| 73.3 | 2 | 320039 | HITCH PIN 3/16 | GOUPILLE D'ATTACHE 3/16 | |
| 73.4 | 1 | 079-CON-240 | WASHER | RONDELLE | |
| 75.1 | 48 | 506039 | NYLON NUT M10 X 1.5 | ECROU NYLON M10 X 1.5 | |
| 75.2 | 4 | 079-CON-011 | CONVEYOR JUNCTION PLATE | PLAQUE DE JONCTION VONVOYEUR | |
| 75.3 | 4 | 079-CON-043 | CONVEYOR JUNCTION PLATE | PLAQUE DE JONCTION CONVOYEUR | |
| 75.5 | 8 | 500699 | CARRIAGE BOLT M10 X 1.50 X 20 CL8.8 | BOULON CAROSSERIE M10 X 1.50 X 20 CL8.8 | |

04 - CONVOYEUR GAUCHE - LEFT CONVEYOR



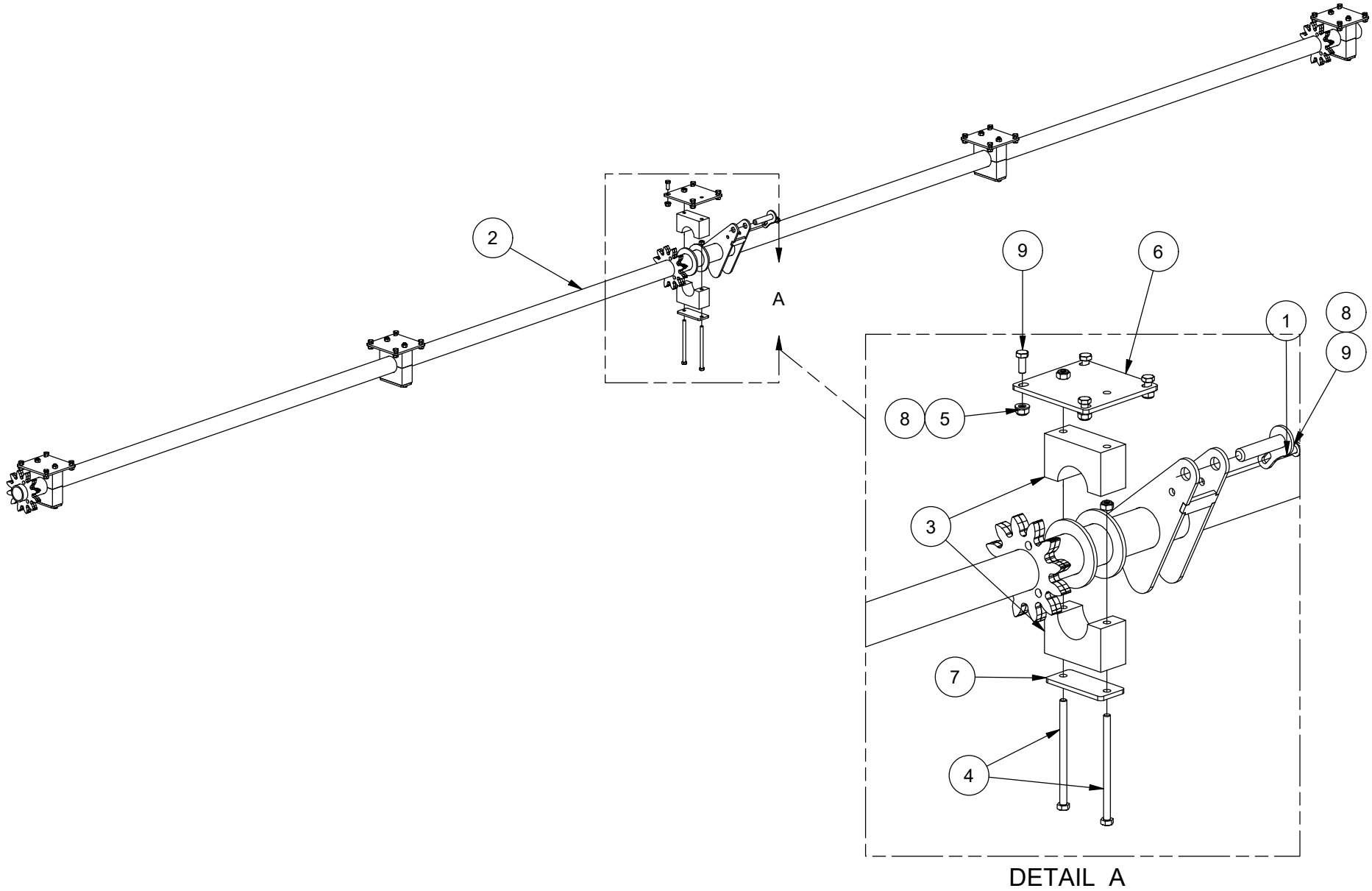
04 - CONVOYEUR GAUCHE - LEFT CONVEYOR



ANDERSON

| ITEM | QT | PART/PIECE | ENGLISH DESCRIPTION | DESCRIPTION FRANCAISE | NOTE |
|------|----|-------------|--|---|------|
| 1 | 8 | 506051 | NYLON NUT M8 X 1.25 | ECROU NYLON M8 X 1.25 | |
| 5 | 2 | 079-CON-AK | BALE STOPPER CYLINDER PIN | AXE DU CYLINDRE DE L'ARRET BALLE | |
| 9 | 1 | 079-CON-079 | CAPPING PLATE | PLAQUE DE FERMETURE | |
| 29.1 | 1 | 467000 | HYDRAULIC CYLINDER | CYLINDRE HYDRAULIQUE | |
| 31 | 43 | 506039 | NYLON NUT M10 X 1.5 | ECROU NYLON M10 X 1.5 | |
| 32 | 2 | 502019 | FLAT WASHER M10 Z | RONDELLE PLATE M10 Z | |
| 36 | 1 | 506009-2 | HEX. BOLT M10 X 1.5 X 30mm CL8.8 | BOULON HEX. M10 X 1.5 X 30mm CL8.8 | |
| 45 | 2 | 501140 | HEX. BOLT M8 X 1.25 X 100mm CL8.8 | BOULON HEX. M8 X 1.25 X 100mm CL8.8 | |
| 63 | 1 | 079-CON-142 | SLIDING PLATE CONVEYOR | PLAQUE GLISSEMENT CONVOYEUR | |
| 64 | 3 | 507052-1 | HEX FLAT SOCKET HEAD BOLT M8 X 1,25 - 25 | BOULON TÊTE CREUSE PLATE HEX M8 X 1,25 - 25 | |
| 78 | 2 | 502002 | FLAT WASHER 1/4 Z | RONDELLE PLATE 1/4 Z | |
| 79 | 2 | 502064 | LOCK WASHER 1/4 | RONDELLE DE BLOCAGE 1/4 | |
| 80 | 2 | 500006 | HEX BOLT GR5 1/4-20 X 1 | BOULON HEX GR5 1/4-20 X 1 | |

05 - ARBRE À CONVOYEUR / CONVEYOR SHAFT



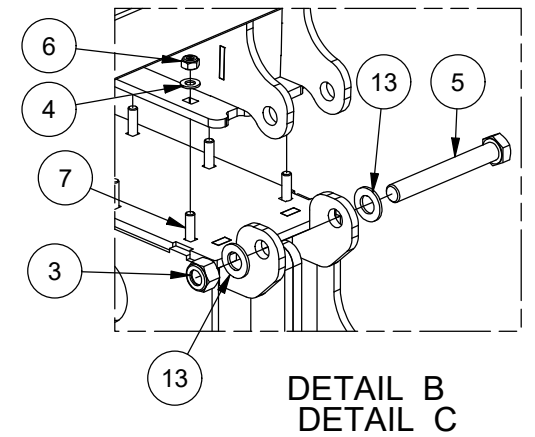
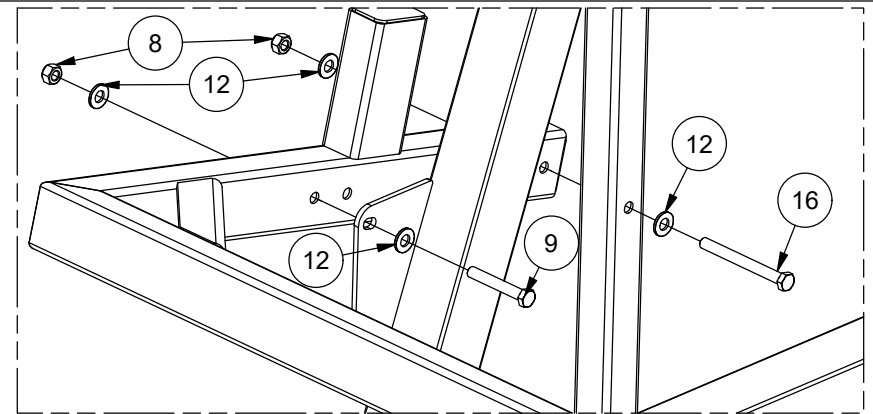
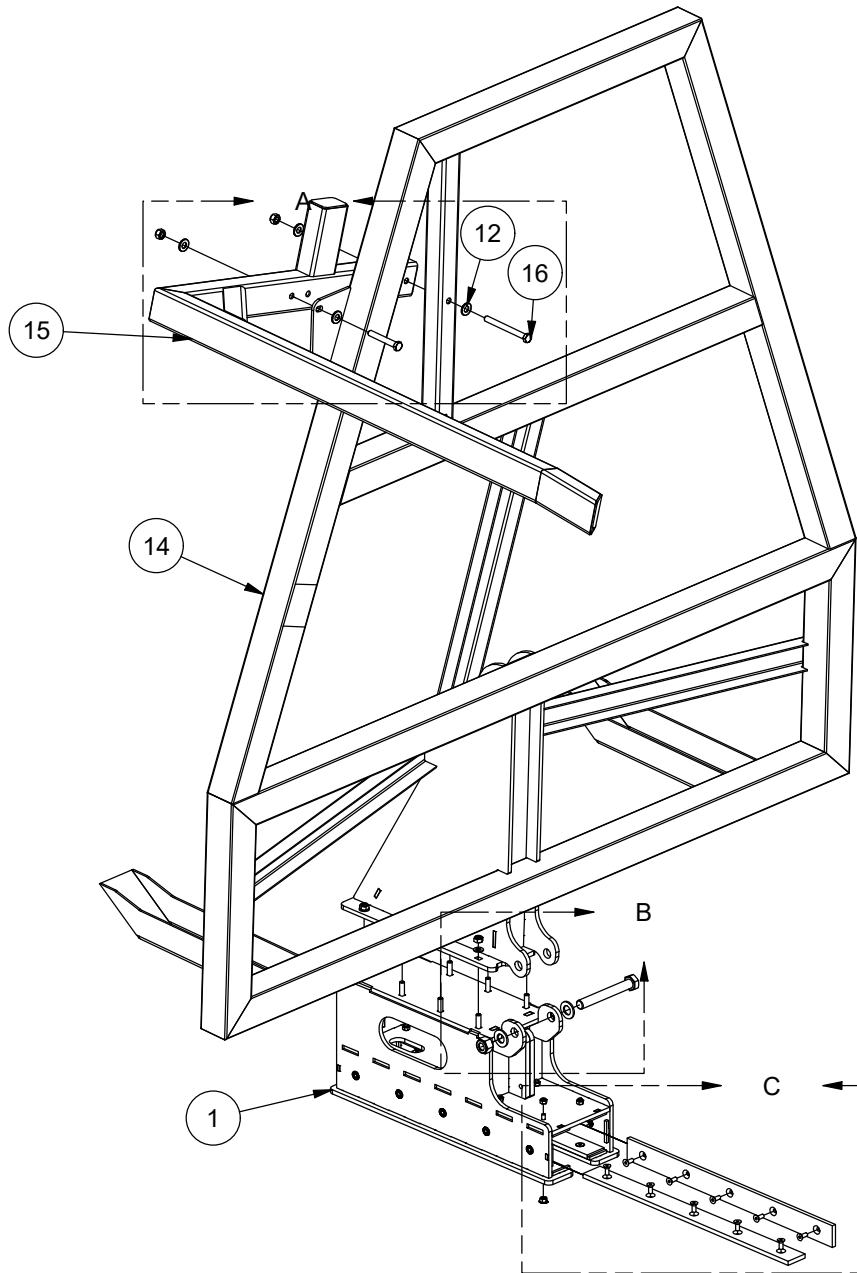
05 - ARBRE À CONVOYEUR / CONVEYOR SHAFT



ANDERSON

| ITEM | QT | PART/PIECE | ENGLISH DESCRIPTION | DESCRIPTION FRANCAISE | NOTE |
|------|----|-------------|-----------------------------------|-------------------------------------|------|
| 1 | 1 | 079-CON-AJ | BALE STOPPER CYLINDER PIN | AXE CYLINDRE ARRET BALLE | |
| 2 | 1 | 079-CON-AM | RACK AND PIGNON SHAFT | ARBRE DE LA CRÉMAILLÈRE | |
| 3 | 10 | 079-CON-160 | RACK AND PIGNON TEFLON 2.375 | TEFLON POUR CRÉMAILLÈRE 2.375 | |
| 4 | 10 | 506166 | HEX. BOLT M10 X 1.5 X 170mm CL8.8 | BOULON HEX. M10 X 1.5 X 170mm CL8.8 | |
| 5 | 31 | 506039 | NYLON NUT M10 X 1.5 | ECROU NYLON M10 X 1.5 | |
| 6 | 5 | 079-CON-049 | UPPER PLATE FOR RACK AND PIGNON | PLQ DESSUS TEFLON CRÉMAILLAIRE | |
| 7 | 5 | 079-POU-191 | BOTTOM PLATE FOR RACK AND PIGNON | PLQ DESSOUS TEFLON CREMAILLÈRE | |
| 8 | 21 | 502019 | FLAT WASHER M10 Z | RONDELLE PLATE M10 Z | |
| 9 | 21 | 506009-1 | HEX. BOLT M10 X 1.5 X 25mm CL8.8 | BOULON HEX. M10 X 1.5 X 25mm CL8.8 | |

06 - POUSSOIR À BALLE / BALE PUSHER



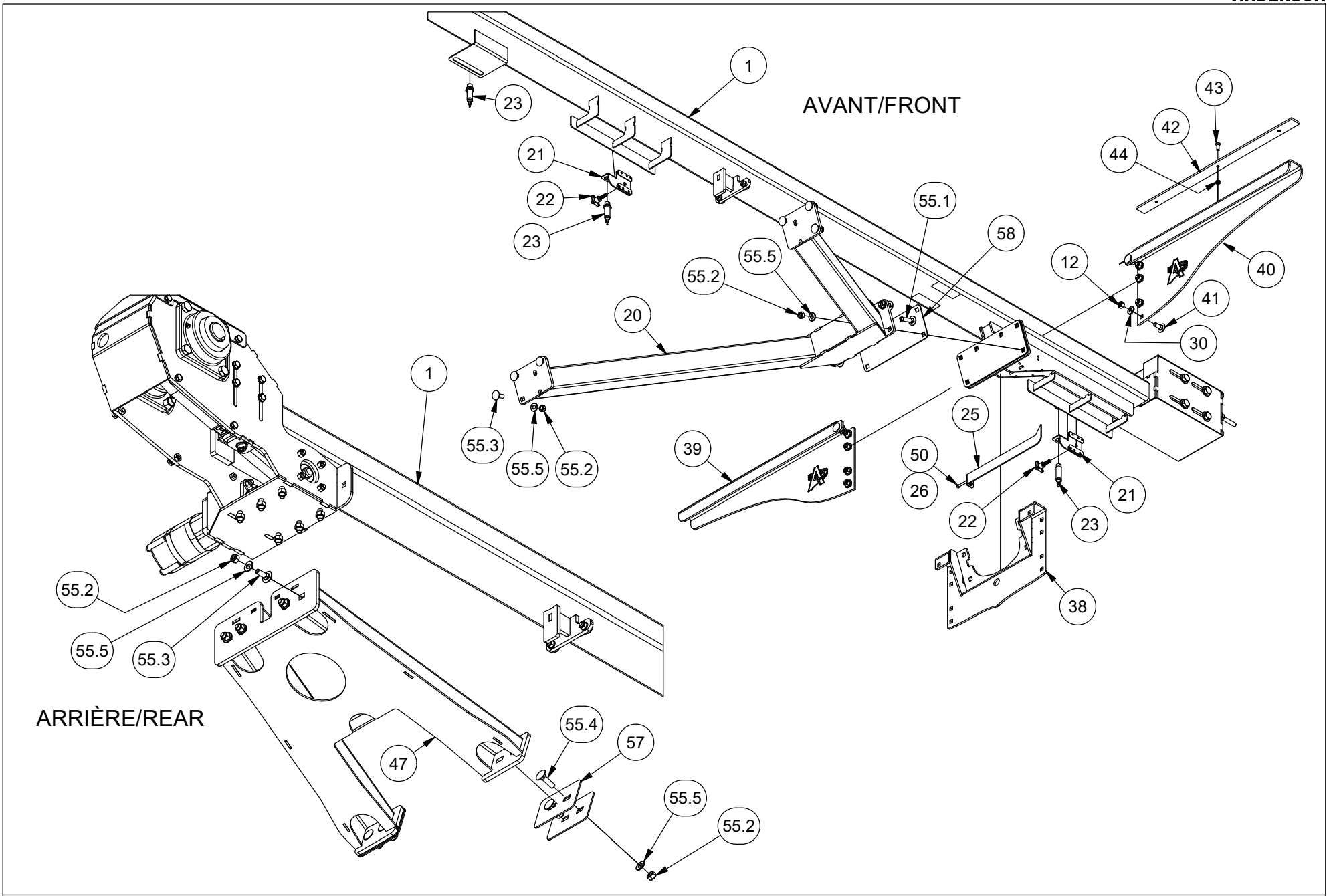
06 - POUSSOIR À BALLE / BALE PUSHER



ANDERSON

| ITEM | QT | PART/PIECE | ENGLISH DESCRIPTION | DESCRIPTION FRANCAISE | NOTE |
|------|----|-------------|--|---|------|
| 1 | 1 | 079-POU-BG | PUSHER BASE | BASE DU POUSSOIR | |
| 2 | 6 | 079-POU-257 | TEFLON SLIDER PAD | BANDE DE GLISSEMENT | |
| 3 | 1 | 506038 | NYLON NUT M20 X 2.5 | ECROU NYLON M20 X 2.5 | |
| 4 | 8 | 502019 | FLAT WASHER M10 Z | RONDELLE PLATE M10 Z | |
| 5 | 1 | 506107 | HEX BOLT M20 X 2,5 - 150 CL8.8 Z | BOULON HEX M20 X 2,5 - 150 CL8.8 Z | |
| 6 | 8 | 506039 | NYLON NUT M10 X 1.5 | ECROU NYLON M10 X 1.5 | |
| 7 | 8 | 500707 | CARRIAGE BOLT M10 X 1.50 X 40 CL4.6 | BOULON CAROSSERIE M10 X 1.50 X 40 CL4.6 | |
| 8 | 2 | 506040 | NYLON NUT M12 X 1.75 | ECROU NYLON M12 X 1.75 | |
| 9 | 1 | 506121 | HEX. BOLT M12 X 1.75 X 80mm CL8.8 | BOULON HEX. M12 X 1.75 X 80mm CL8.8 | |
| 10 | 20 | 501144 | FLANGE NUT | ECROU A EMBASE | |
| 11 | 20 | 506161 | HEX FLAT HEAD CAP SCREW M8X1.25 X 20MM | VIS A TETE FRAISÉ A 6 PANS M8X1.25 X 20MM | |
| 12 | 4 | 502006 | FLAT WASHER 1/2 Z-SAE | RONDELLE PLATE 1/2 Z-SAE | |
| 13 | 2 | 502017 | FLAT WASHER SAE 3-4 ZINC | RONDELLE PLATE SAE 3-4 ZINC | |
| 14 | 1 | 086-POU-AD | PUSHER TOP ASSEMBLY | TETE DE POUSSOIR | |
| 15 | 1 | 086-POU-AF | THIRD BALE STOPPER | BLOQUEUR 3E BALLE | |
| 16 | 1 | 501138 | HEX. BOLT M12 X 1.75 X 120mm CL8.8 | BOULON HEX. M12 X 1.75 X 120mm CL8.8 | |

07 - RAIL DU POUSSOIR / BALE PUSHER RAIL

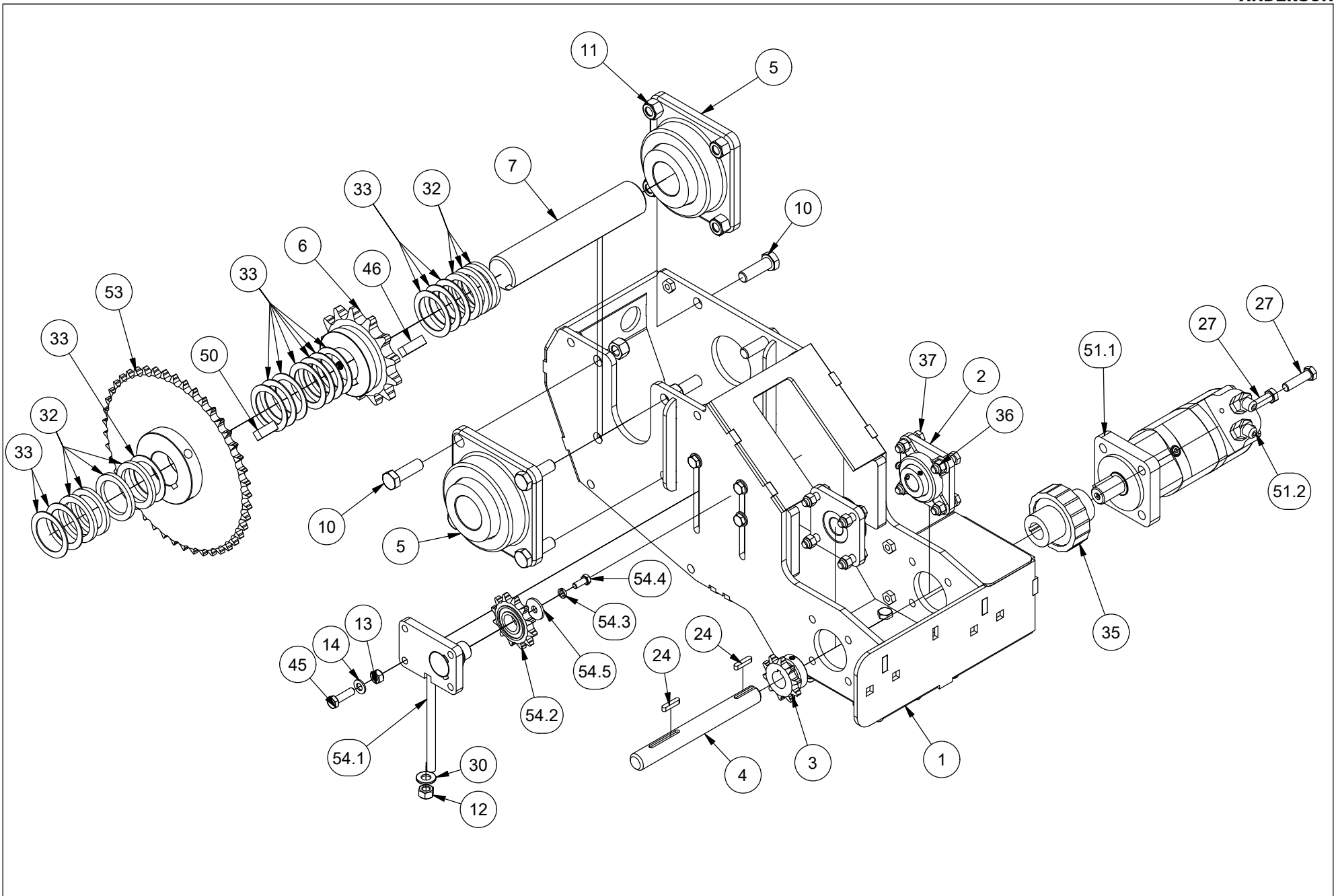


07 - RAIL DU POUSSOIR / BALE PUSHER RAIL



| ITEM | QT | PART/PIECE | ENGLISH DESCRIPTION | DESCRIPTION FRANCAISE | NOTE |
|------|----|---------------|--|---|------|
| 1 | 1 | 079-POU-BE | PUSHER TRACK | RAIL DU POUSSOIR | |
| 12 | 21 | 506040 | NYLON NUT M12 X 1.75 | ECROU NYLON M12 X 1.75 | |
| 20 | 1 | 079-POU-AZ | FRONT TRACK SUPPORT | SUPPORT RAIL AVANT | |
| 21 | 2 | 079-POU-BJ | SENSOR BRACKET | SUPPORT DE CAPTEUR | |
| 22 | 2 | 325377 | KNOB | POIGNÉE | |
| 23 | 3 | 900678-2 | PROXIMITY SENSOR | CAPTEUR DE PROXIMITÉ | |
| 25 | 1 | 079-POU-293 | ARROW FOR BALE WIDTH | FLECHE POUR LARGEUR DE BALLE | |
| 30 | 13 | 502006 | FLAT WASHER 1/2 Z-SAE | RONDELLE PLATE 1/2 Z-SAE | |
| 38 | 1 | 079-POU-CI | FRONT CONVEYOR SUPPORT (CENTER) | RENFORT AVANT CONVOYEUR (CENTRE) | |
| 39 | 1 | 079-POU-347 | FRONT CONVEYOR SUPPORT (LEFT) | RENFORT AVANT CONVOYEUR (GAUCHE) | |
| 40 | 1 | 079-POU-347-S | FRONT CONVEYOR SUPPORT (RIGHT) | RENFORT AVANT CONVOYEUR (DROIT) | |
| 41 | 10 | 500701 | CARRIAGE BOLT M12 X 1.75 X 30 CL8.8 | BOULON CAROSSERIE M12 X 1.75 X 30 CL8.8 | |
| 42 | 2 | 079-CON-142 | SLIDING PLATE CONVEYOR | PLAQUE GLISSEMENT CONVOYEUR | |
| 43 | 6 | 507052-1 | HEX FLAT SOCKET HEAD BOLT M8 X 1,25 - 25 | BOULON TÊTE CREUSE PLATE HEX M8 X 1,25 - 25 | |
| 44 | 6 | 506051 | NYLON NUT M8 X 1.25 | ECROU NYLON M8 X 1.25 | |
| 47 | 1 | 079-CON-CC | REAR TRANSMISSION REINFORCEMENT | RENFORT TRANSMISSION ARRIÈRE | |
| 50 | 2 | 506159 | HEX. BOLT M6 X 1 X 65mm CL8.8 | BOULON HEX. M6 X 1 X 65mm CL8.8 | |
| 51.2 | 2 | 451230 | HYDRAULIC FITTING | ADAPTEUR HYDRAULIQUE | |
| 50 | 1 | 325398 | KEY | CLE | |
| 55.1 | 4 | 500719 | CARRIAGE BOLT M12 X 1.75 X 50 CL8.8 | BOULON CAROSSERIE M12 X 1.75 X 50 CL8.8 | |
| 55.3 | 10 | 507134 | CARRIAGE BOLT M12 X 1.75 X 35 CL8.8 | BOULON CAROSSERIE M12 X 1.75 X 35 CL8.8 | |
| 55.4 | 6 | 500702 | CARRIAGE BOLT M12 X 1.75 X 45 CL8.8 | BOULON CAROSSERIE M12 X 1.75 X 45 CL8.8 | |
| 55.5 | 20 | 502006 | FLAT WASHER 1/2 Z-SAE | RONDELLE PLATE 1/2 Z-SAE | |
| 57 | 4 | 079-CON-175 | SPACER/SHIM | ESPACEUR | |
| 58 | 3 | 079-POU-464 | FRONT TRACK SUPPORT SHIM (NO PAINT) | CALE DE SUPPORT DE RAIL AVANT (SANS PEINTURE) | |

07 - RAIL DU POUSSOIR / BALE PUSHER RAIL

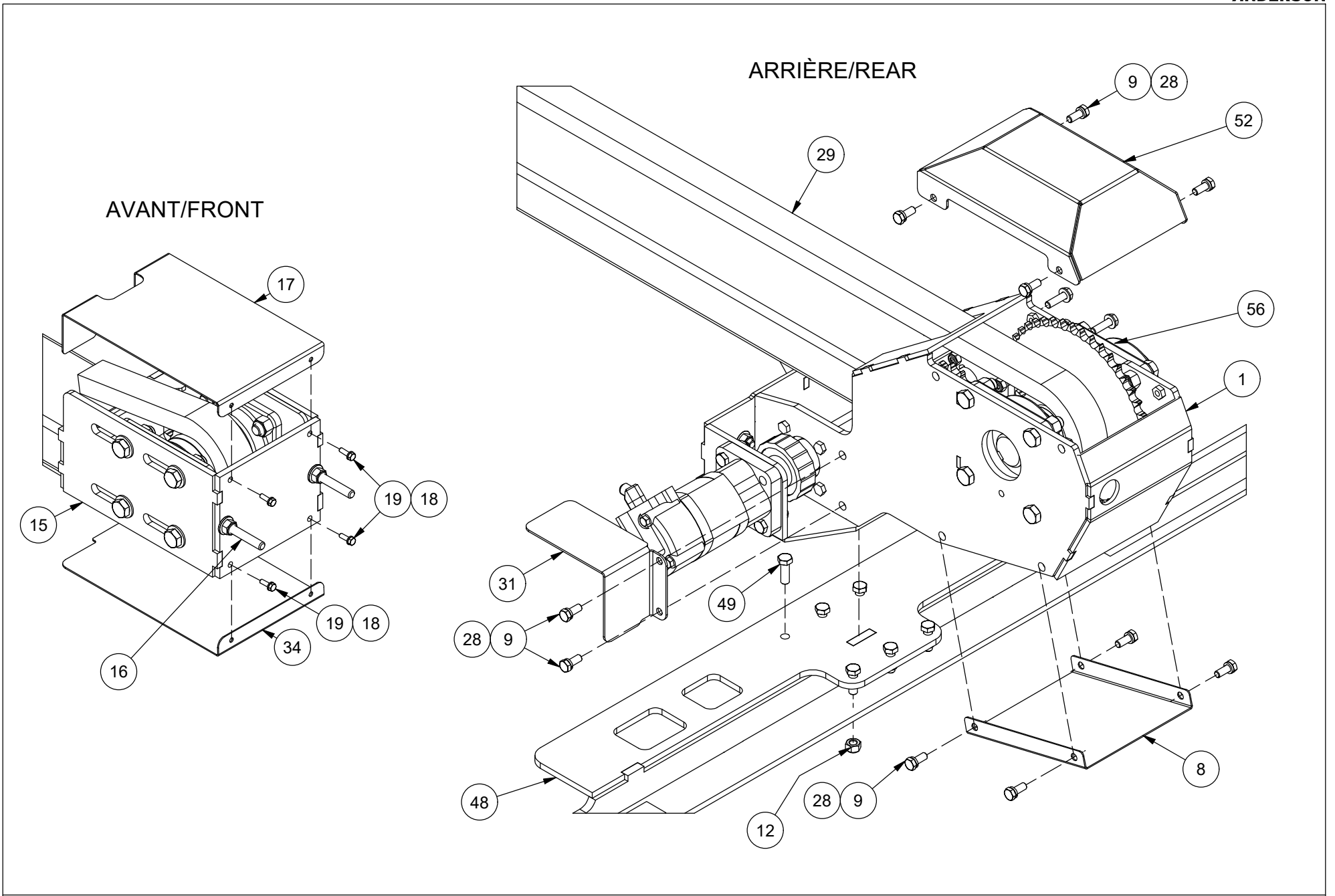


07 - RAIL DU POUSSOIR / BAILE PUSHER RAIL



| ITEM | QT | PART/PIECE | ENGLISH DESCRIPTION | DESCRIPTION FRANCAISE | NOTE |
|------|----|-------------|-----------------------------------|-------------------------------------|------|
| 1 | 1 | 079-POU-BE | PUSHER TRACK | RAIL DU POUSSOIR | |
| 2 | 2 | 303163 | FLANGE BEARING | ROULEMENT A PALIER | |
| 3 | 1 | 301010 | SPROCKET | ROUE DENTÉE | |
| 4 | 1 | 079-POU-267 | SHAFT FOR HYD. MOTOR | ARBRE POUR MOTEUR HYD | |
| 5 | 2 | 303047 | FLANGE BEARING | ROULEMENT A PALIER | |
| 6 | 1 | 301215 | SPROCKET | ROUE DENTÉE | |
| 7 | 1 | 079-POU-263 | TRACTION SHAFT | ARBRE DE TRACTION | |
| 10 | 8 | 506076 | HEX. BOLT M16 X 2 X 50mm CL8.8 | BOULON HEX. M16 X 2 X 50mm CL8.8 | |
| 11 | 16 | 506037 | NYLON NUT M16 X 2 | ECROU NYLON M16 X 2 | |
| 12 | 21 | 506040 | NYLON NUT M12 X 1.75 | ECROU NYLON M12 X 1.75 | |
| 13 | 4 | 506039 | NYLON NUT M10 X 1.5 | ECROU NYLON M10 X 1.5 | |
| 14 | 4 | 502019 | FLAT WASHER M10 Z | RONDELLE PLATE M10 Z | |
| 24 | 2 | 224035-1 | KEY | CLÉE | |
| 27 | 2 | 506102 | HEX. BOLT M12 X 1.75 X 45mm CL8.8 | BOULON HEX. M12 X 1.75 X 45mm CL8.8 | |
| 30 | 13 | 502006 | FLAT WASHER 1/2 Z-SAE | RONDELLE PLATE 1/2 Z-SAE | |
| 32 | 7 | 079-POU-300 | THICK SHIM | CALE ÉPAISSE 1/4 | |
| 33 | 13 | 079-POU-301 | THIN SHIM | CALE MINCE 1/16 | |
| 35 | 1 | 322061 | CHAIN COUPLING | ACCOUPLÉMENT À CHAÎNE | |
| 36 | 8 | 501033 | HEX NYLON LOCKNUT GR5 7/16-14 Z | ÉCROU NYLON IND HEX GR5 7/16-14 Z | |
| 37 | 8 | 500136 | HEX BOLT GR5 7/16-14 X 1 1/2 | BOULON HEX GR5 7/16-14 X 1 1/2 | |
| 45 | 4 | 506009-3 | HEX. BOLT M10 X 1.5 X 35mm CL8.8 | BOULON HEX. M10 X 1.5 X 35mm CL8.8 | |
| 46 | 1 | 325009 | KEY | CLE | |
| 51.1 | 1 | 469172-1 | HYDRAULIC MOTOR | MOTEUR HYDRAULIQUE | |
| 51.2 | 2 | 451230 | HYDRAULIC FITTING | ADAPTEUR HYDRAULIQUE | |
| 52 | 1 | 079-POU-431 | UPPER COVER REAR TRANSMISSION | COUVERCLE DESSUS TRANSMISSION | |
| 53 | 1 | 301059-1 | SPROCKET 60B45H BORE 2" | ROUE DENTÉE 60B45H DIAMÈTRE TROU 2" | |
| 50 | 1 | 325398 | KEY | CLE | |
| 54.1 | 1 | 079-POU-DZ | HYD MOTOR CHAIN BINDER | TENDEUR DE CHAÎNE MOTEUR | |
| 54.2 | 1 | 079-POU-EA | SPROCKET | ROUE DENTÉE | |
| 54.3 | 1 | 502045 | LOCK WASHER 3/8 | RONDELLE DE BLOCAGE 3/8 | |
| 54.4 | 1 | 506000 | HEX. BOLT M8 X 1.25 X 20mm CL8.8 | BOULON HEX. M8 X 1.25 X 20mm CL8.8 | |
| 54.5 | 1 | 079-TAB-222 | BEARING SPACER DIRECT PLUG | ESPACEUR BEARING DIRECT PLUG | |

07 - RAIL DU POUSSOIR / BALE PUSHER RAIL



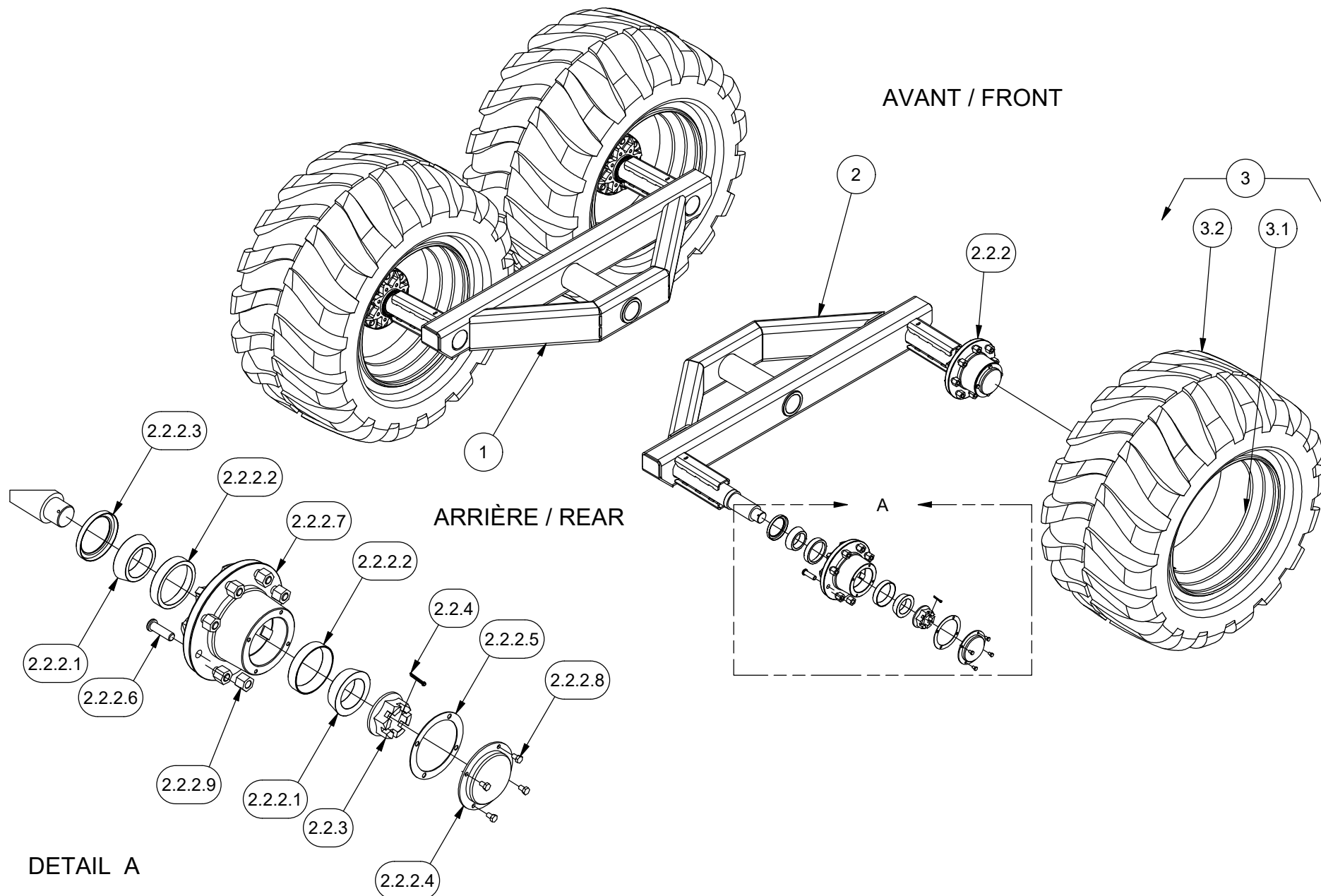
07 - RAIL DU POUSSOIR / BALE PUSHER RAIL



ANDERSON

| ITEM | QT | PART/PIECE | ENGLISH DESCRIPTION | DESCRIPTION FRANCAISE | NOTE |
|------|----|-------------|-----------------------------------|--|--------------------|
| 1 | 1 | 079-POU-BE | PUSHER TRACK | RAIL DU POUSSOIR | |
| 8 | 1 | 079-POU-264 | UNDER COVER REAR TRANSMISSION | COUVERCLE DESSOUS TRANSMISSION ARRIERE | |
| 9 | 10 | 506009-1 | HEX. BOLT M10 X 1.5 X 25mm CL8.8 | BOULON HEX. M10 X 1.5 X 25mm CL8.8 | |
| 12 | 21 | 506040 | NYLON NUT M12 X 1.75 | ECROU NYLON M12 X 1.75 | |
| 15 | 1 | 079-POU-BF | FRONT PUSHER HOUSING | BOITIER AVANT DU POUSSOIR | |
| 16 | 2 | 079-POU-CB | BINDER | TENDEUR | |
| 17 | 1 | 079-POU-265 | FRONT HOUSING TOP COVER | COUVERCLE DESSUS BOITIER AVANT | |
| 19 | 4 | 506124 | HEX. BOLT M6 X 1 X 20mm CL8.8 | BOULON HEX. M6 X 1 X 20mm CL8.8 | |
| 29 | 1 | 302576 | LONG PUSHER CHAIN | LONGUE CHAINE DU POUSSOIR | 65.104 PIED / FEET |
| 31 | 1 | 079-POU-297 | HYD MOTOR CHAIN GUARD | GARDE CHAINE DU MOTEUR HYD. | |
| 34 | 1 | 079-POU-336 | FRONT HOUSING BOTTOM COVER | COUVERCLE DESSOUS BOITIER AVANT | |
| 48 | 1 | 079-CON-CD | REAR CONVEYOR REINFORCEMENT | RENFORT CONVOYEUR ARRIERE | |
| 49 | 6 | 506071 | HEX. BOLT M12 X 1.75 X 35mm CL8.8 | BOULON HEX. M12 X 1.75 X 35mm CL8.8 | |
| 52 | 1 | 079-POU-431 | UPPER COVER REAR TRANSMISSION | COUVERCLE DESSUS TRANSMISSION | |
| 50 | 1 | 325398 | KEY | CLE | |
| 56 | 1 | 079-POU-ED | MOTOR CHAIN #60H | CHAINE DU MOTEUR #60H | |

08 - TANDEM & ESSIEUX SANS FREIN / TANDEM & AXLE W/O BRAKE



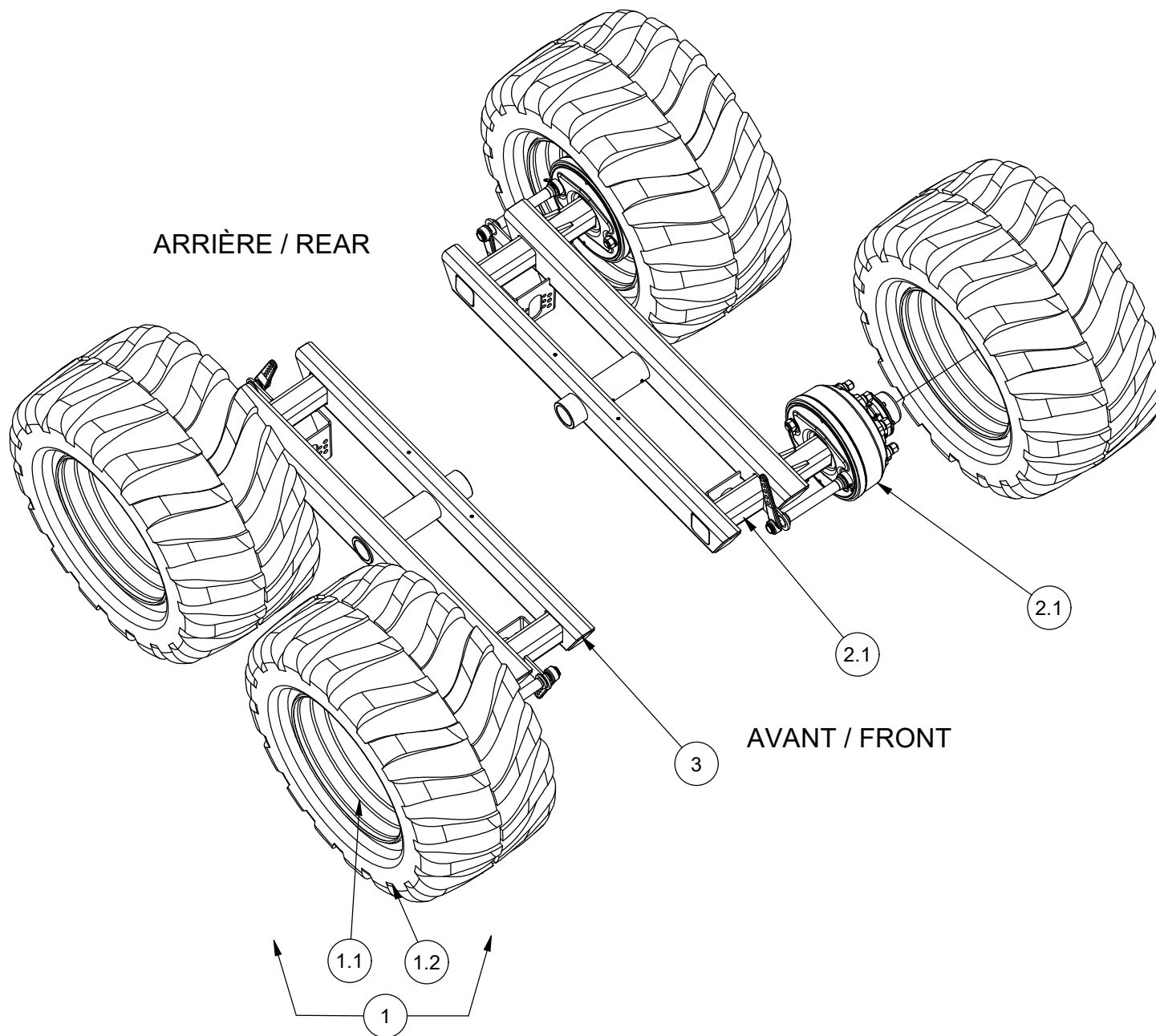
08 - TANDEM & ESSIEUX SANS FREIN / TANDEM & AXLE W/O BRAKE



ANDERSON

| ITEM | QT | PART/PIECE | ENGLISH DESCRIPTION | DESCRIPTION FRANCAISE | NOTE |
|---------|----|------------|--------------------------------|---|--|
| 1 | 1 | 079-TAN-AE | LEFT TANDEM WITHOUT BRAKES | TANDEM GAUCHE SANS FREIN | |
| 2 | 1 | 079-TAN-AD | RIGHT TANDEM WITHOUT BRAKES | TANDEM DROIT SANS FREIN | |
| 2.2.2 | 4 | 481406 | HUB | MOYEU | |
| 2.2.2.1 | 2 | 303491 | BEARING 28995 * | ROULEMENT 28995 * | |
| 2.2.2.2 | 2 | 303492 | BEARING CUP KOYO-28921 * | CAGE DE ROULEMENT KOYO-28921 * | |
| 2.2.2.3 | 1 | 303490 | RADIAL SHAFT SEAL 10000 * | JOINT RADIAL 10000 * | |
| 2.2.2.4 | 1 | 481020 | SEAL | BOUCHON | |
| 2.2.2.5 | 1 | 303510 | SEAL | JOINT | |
| 2.2.2.6 | 8 | 481006 | STUD DE HUB 5/8 | GOUJON DE MOYEU 5/8 | |
| 2.2.2.7 | 1 | 481406* | COMPLETE HUB | MOYEU COMPLET | |
| 2.2.2.8 | 4 | 500040 | HEX BOLT GR5 5/16-18 X 1/2 | BOULON HEX GR5 5/16-18 X 1/2 | |
| 2.2.2.9 | 8 | 501902 | HEX WHEEL NUT 5/8-18 | ÉCROU DE ROUE 5/8-18 | |
| 2.2.3 | 2 | 501133 | HEX CASTLE NUT FLANGE 1 3/4-12 | ÉCROU CHÂTEAU À EMBASE HEX GR5 1 3/4-12 | |
| 2.2.4 | 2 | 320002 | COTTER PIN | GOUPILLE | |
| 3 | 4 | 481518 | WHEEL | ROUE | RIGHT OR LEFT ASSEMBLY / ASSEMBLAGE DROITE OU GAUCHE |
| 3.1 | 4 | 234224 | RIM | JANTE | |
| 3.2 | 4 | 481522 | TIRE | PNEU | |

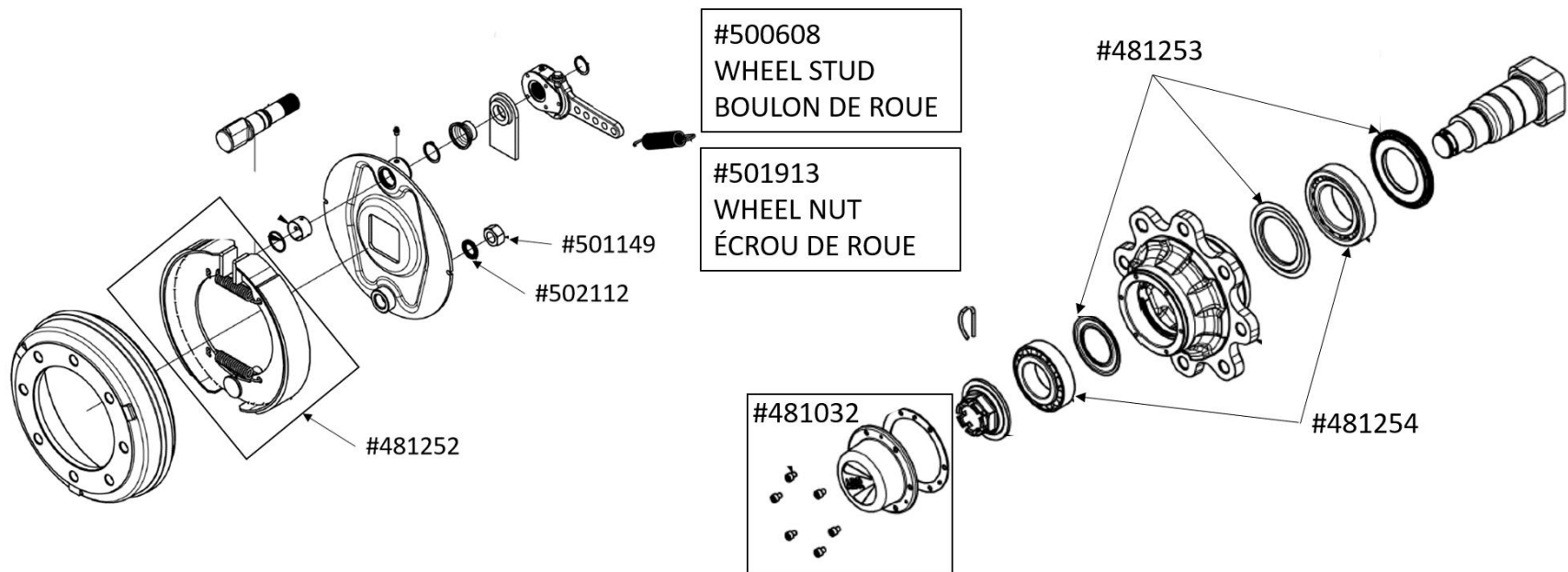
09A - TANDEM & ESSIEUX AVEC FREIN / TANDEM & AXLE WITH BRAKE



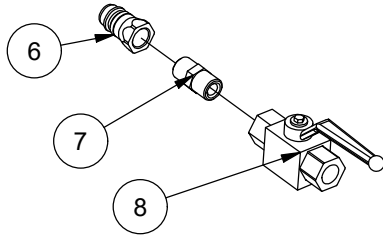
09A - TANDEM & ESSIEUX AVEC FREIN / TANDEM & AXLE WITH BRAKE



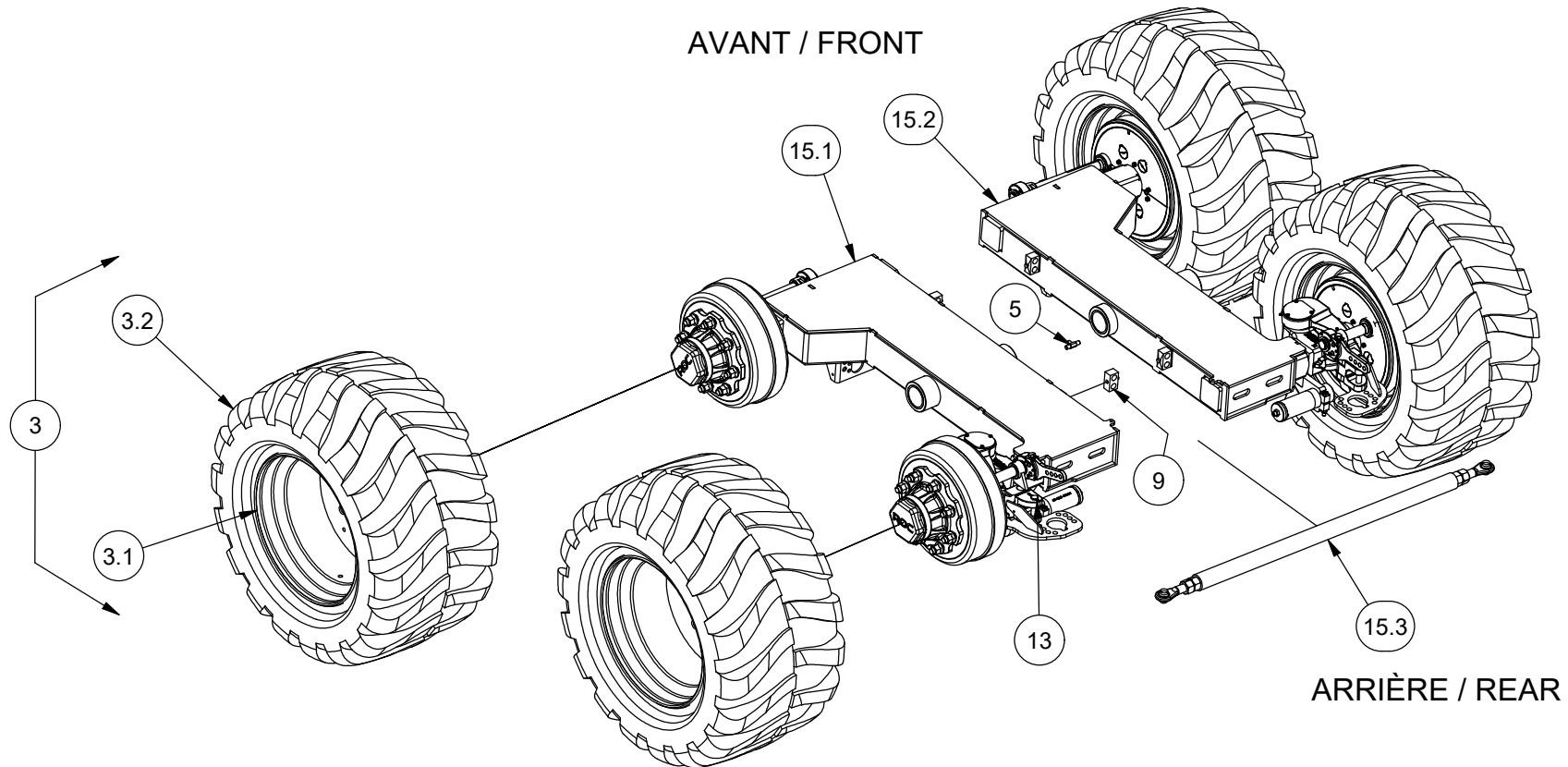
| ITEM | QTY | # PIECE | ENGLISH DESCRIPTION | DESCRIPTION FRANCAISE | NOTE |
|------|-----|------------|----------------------------|---------------------------|--|
| 1 | 4 | 481524 | WHEEL | ROUE | RIGHT OR LEFT ASSEMBLY / ASSEMBLAGE DROITE OU GAUCHE |
| 1.1 | 4 | 234226 | RIM | JANTE | |
| 1.2 | 4 | 481522 | TIRE | PNEU | |
| 2 | 1 | 079-TAN-AG | LEFT TANDEM WITH BRAKES | TANDEM GAUCHE AVEC FREINS | |
| 2.1 | 4 | 481119 | BRAKED STUB AXLE | ESSIEU FREINÉ | |
| 3 | 1 | 079-TAN-AH | RIGHT HD TANDEM WITH BRAKE | TANDEM DROIT AVEC FREIN | |



09B - TANDEM SUIVEUR AVEC FREINS / STEERABLE AXLE WITH BRAKES



AVANT / FRONT



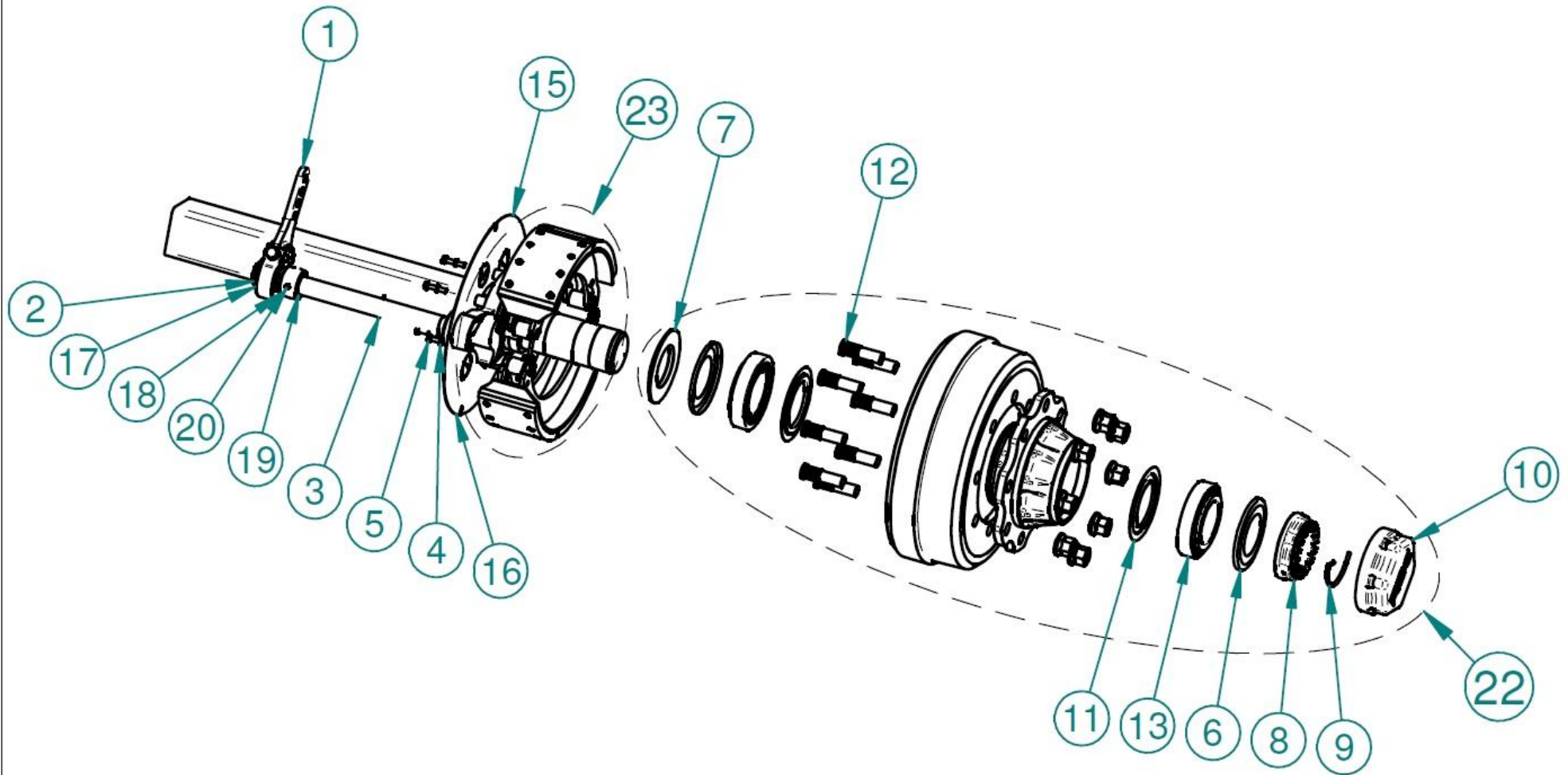
09B - TANDEM SUIVEUR AVEC FREINS / STEERABLE AXLE WITH BRAKES



ANDERSON

| ITEM | QT | PART/PIECE | ENGLISH DESCRIPTION | DESCRIPTION FRANCAISE | NOTE |
|------|----|------------|-----------------------------------|------------------------------|--|
| 3 | 4 | 481524 | WHEEL | ROUE | RIGHT OR LEFT ASSEMBLY / ASSEMBLAGE DROITE OU GAUCHE |
| 3.1 | 4 | 234226 | RIM | JANTE | |
| 3.2 | 4 | 481522 | TIRE | PNEU | |
| 5 | 1 | 450862 | HYDRAULIC FITTING | ADAPTEUR HYDRAULIQUE | |
| 6 | 1 | 452000 | 1/2 QUICK COUPLER NPTM | RACCORD RAPIDE 1/2 NPTM | |
| 7 | 1 | 450008 | HYDRAULIC FITTING | ADAPTEUR HYDRAULIQUE | |
| 8 | 1 | 466999 | BALL VALVE | VALVE A BILLE | |
| 9 | 4 | 470143 | HOSE SUPPORT | SUPPORT A BOYAU | |
| 13 | 2 | 320002 | COTTER PIN 3/16 X 2 Z | GOUPILLE FENDUE 3/16 X 2 Z | |
| 15.1 | 1 | 079-TAN-AY | LEFT STEERABLE TANDEM WITH BRAKES | TANDEM SUIVEUR GAUCHE FREINÉ | |
| 15.2 | 1 | 079-TAN-AX | RIGHT STEERABLE AXLE WITH BRAKES | ESSIEU SUIVEUR FREINÉ DROIT | |
| 15.3 | 1 | 481126-3 | LINK | BARRE DE LIAISON | |

09B - TANDEM SUIVEUR AVEC FREINS / STEERABLE AXLE WITH BRAKES

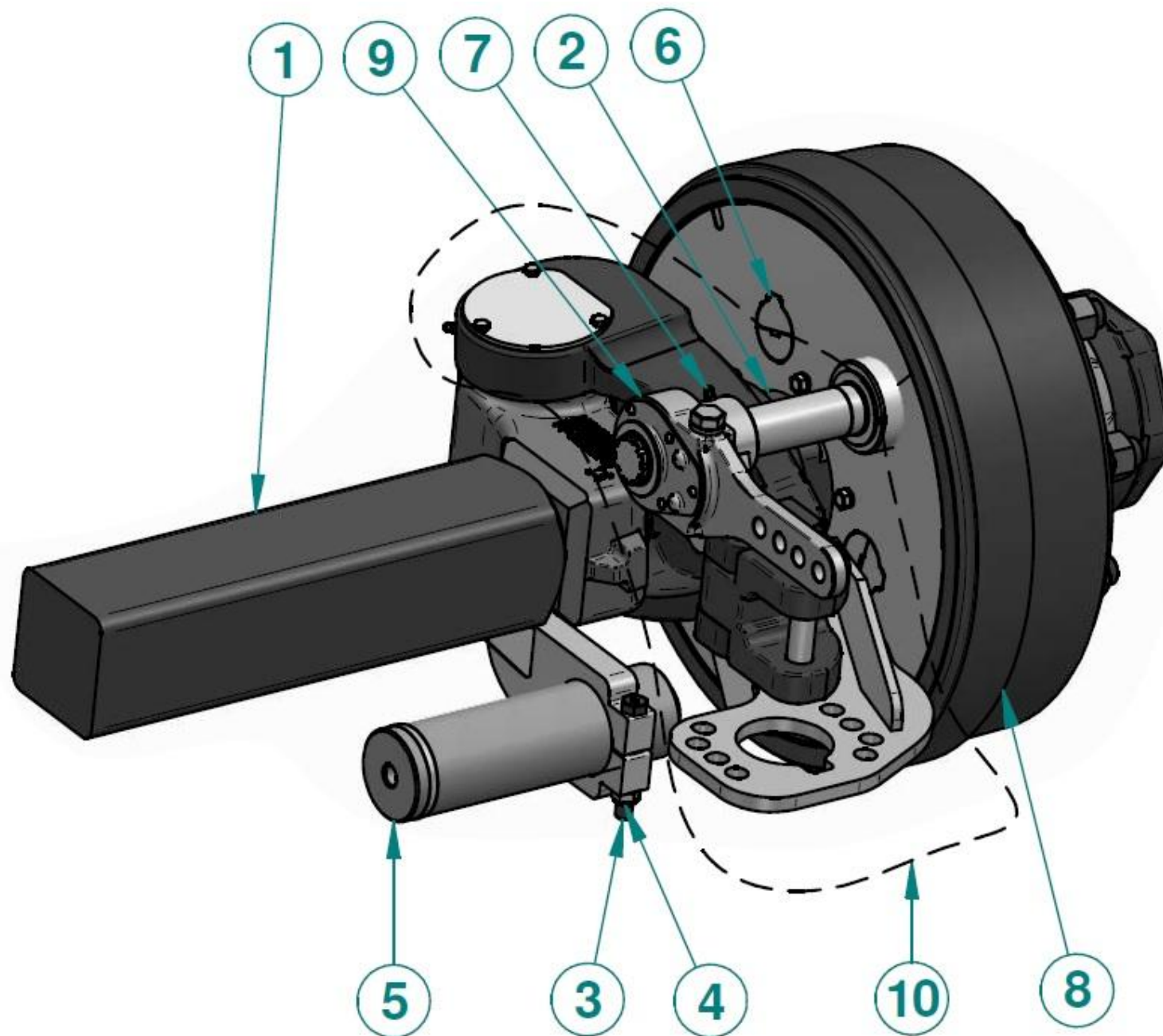


09B - TANDEM SUIVEUR AVEC FREINS / STEERABLE AXLE WITH BRAKES



| N° | Qté | Code | Code Banalisé | Désignation | English description |
|----|-----|------------|---------------|--|--|
| | | | | (*) En SAV , le SE moyeu est livré dans sa définition standard catalogue et avec un joint métallique. Il peut être différent de votre définition | (*) In AFTER-SALES SERVICE, complet hub is delivered in standard definition and a metal seal. It can be different of your definition |
| 1 | 1 | M318200800 | | BIELLETTTE BRM (406X120) 4T127 A 203 | SLACK ADUSTER 406X120 4H 127 A 203 |
| 2 | 1 | M223751354 | | CAME GAUGHE 406X120 L=457 | |
| 3 | 2 | M326100350 | | CIRCLIPS EXT D=38*1.75 (406X120) | CIRCLIP Ø38 (406x120) |
| 4 | 6 | M351400150 | | RONDELLE GROWER D=8 | BRAKE WASHER Ø8 |
| 5 | 6 | M320300084 | | VIS TETE H M 8X40 | SCREW M8X40 |
| 6 | 2 | M339203500 | | JOINT METALLIQUE 32217 AV | METALLIC JOINT 32217 AV |
| 7 | 1 | M343600100 | | APPUI RLT ARR. CARRE 90 D85X150X10 | BACK SUPPORT SQUARE 90 Ø85X150X10 |
| 8 | 1 | M330200950 | | ECROU HK M85X2 | CASTEL NUT M85X2 |
| 9 | 1 | M336400100 | | DEMI-LUNE D'ARRET Ø5.5 (ELASTIC PIN) | ELASTIC PIN Ø5.5 |
| 10 | 1 | M324101680 | | CHAPEAU M165 PAS 2.00 - Tôle acier + cataphorèse | HUBCAP M165 PAS 2.00 |
| 11 | 2 | M339203505 | | APPUI ETANCHEITE POUR RLT 32217 | SUPPORT TIGHT FOR BEARING 32217 |
| 12 | 8 | M335101600 | | GOUJON CRANTE 22 PAS 1,50lg=80/54 | STUD 22 PAS 1,50lg=80/54 |
| 13 | 2 | M353402590 | | ROULEMENT CONIQUE 32217 | CONICAL ROLLER BEARING 32217 |
| 14 | 1 | M431202201 | | SACHET 8 ECROU M22X1.5 A BEC | BAG OF 8 WHEEL NUTS M22X1.5 A BEC |
| 15 | 1 | M478000069 | | S/E TOLE FREIN 406X120+CALES GAUCHE | BRAKE PROTECTION SHEET LEFT 406X120 |
| 16 | 1 | M478000070 | | S/E TOLE FREIN 406X120+CALES DROIT | BRAKE PROTECTION SHEET RIGHT 406X120 |
| 17 | 2 | M351600010 | | RONDELLE 38.5X55X2.7 CAME 406X120 | WASHER CAM 406X120 |
| 18 | 1 | M355300002 | | Support de came 406x120 Lg.96 NU | CAM SUPPORT 406x120 Lg.96 NU |
| 19 | 1 | M316102001 | | Bague Antifricion Ø38xØ42xL35 | WHITE METAL RING Ø38XØ42XL35 |
| 20 | 1 | M337100100 | | GRAISSEUR M6 AUTOTARAUDEUR DROIT | GREASE NIPPLE M6 |
| 21 | 1 | M337200400 | | GRAISSEUR 1/8" COUDE 67.5°(406X120) | |
| 22 | 2 | MV00003098 | M541308772 | SE MOYEU COMPLET 908/1008XFR406X120 (*) | COMPLET HUB 1010XF406X120 (*) |
| 23 | 2 | M540605020 | | KIT MACHOIRE 406X120 | KIT BRAKE SHOES 406X120 |

09B - TANDEM SUIVEUR AVEC FREINS / STEERABLE AXLE WITH BRAKES

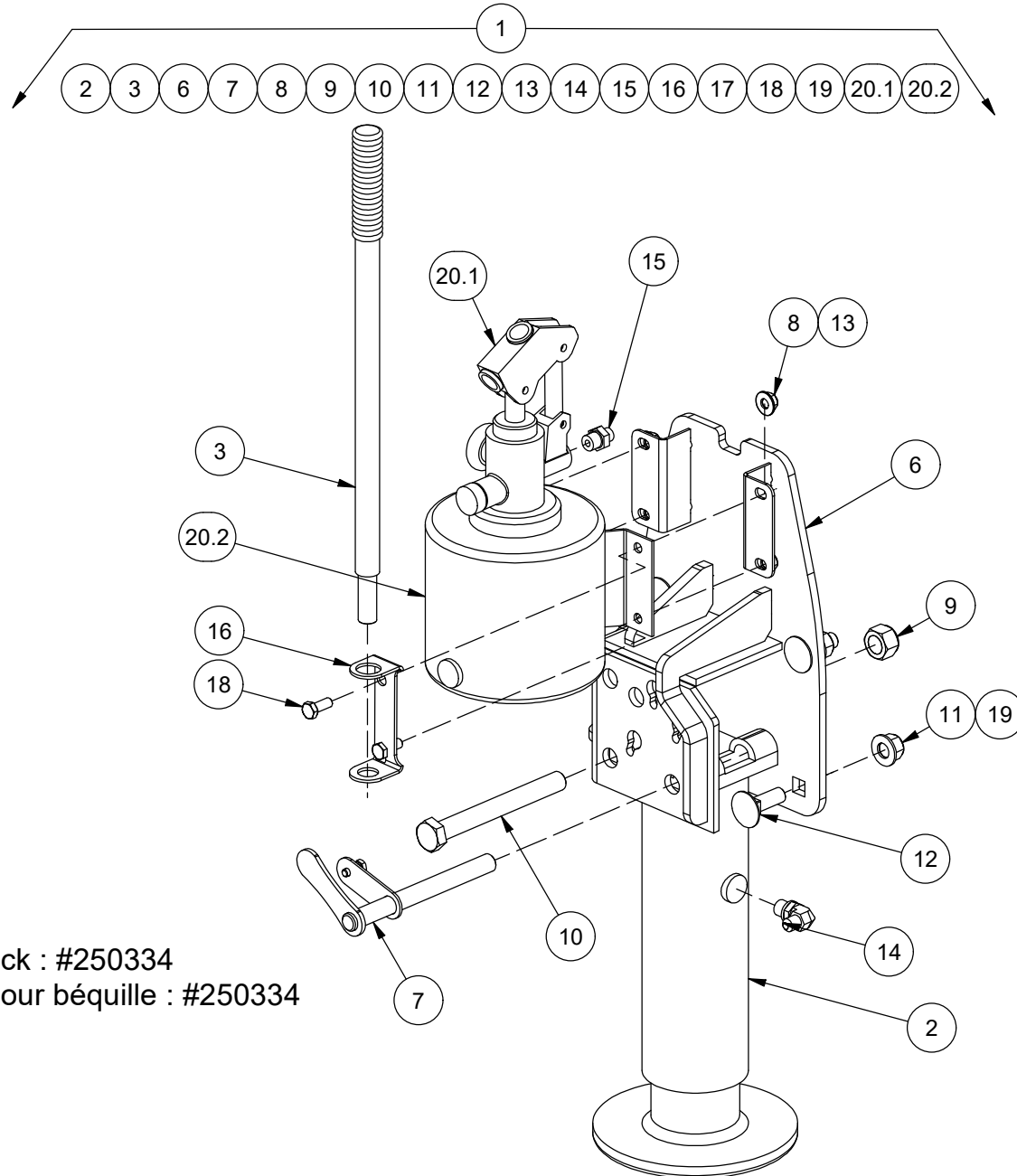


09B - TANDEM SUIVEUR AVEC FREINS / STEERABLE AXLE WITH BRAKES



| N° | Qté | Code | Désignation |
|----|-----|--------------------------|---|
| 1 | 1 | M509500006 | Corps Droit 1/2 Suiv. 1008XF 406x120 1/2V.820 S/P |
| 2 | 1 | M479856835 | FUSEE ESS SUIV2 1008 XF 406X120 |
| 3 | 1 | M320300129 | VIS TETE H M12X90 CLASSE 8.8 ZN |
| 4 | 1 | M320200015 | ECROU NYLSTOP M12 |
| 5 | 1 | M357200500 | VERIN DE CENTRAGE D=40 COURSE 80 |
| 6 | 1 | MV00001953 M580001520 | S/E FREIN 406X120 DROIT (VAR) |
| 7 | 1 | M455202016 | SUPPORT CAME CAME 406X120 RECOUPE |
| 8 | 1 | MV00003958 M541308772 | S/E MOYEU 908XFR 406X120 COMPLET (VAR) |
| 9 | 1 | M318200800 | BIELLETTTE BRM (406X120) 4T127 A 203 |
| 10 | 1 | M573200062 | S/E Chape Droite 1-2 SUIV.2 - 1008XF 406x120 - 1/2V.820 S/P |

10 - BÉQUILLE / JACK



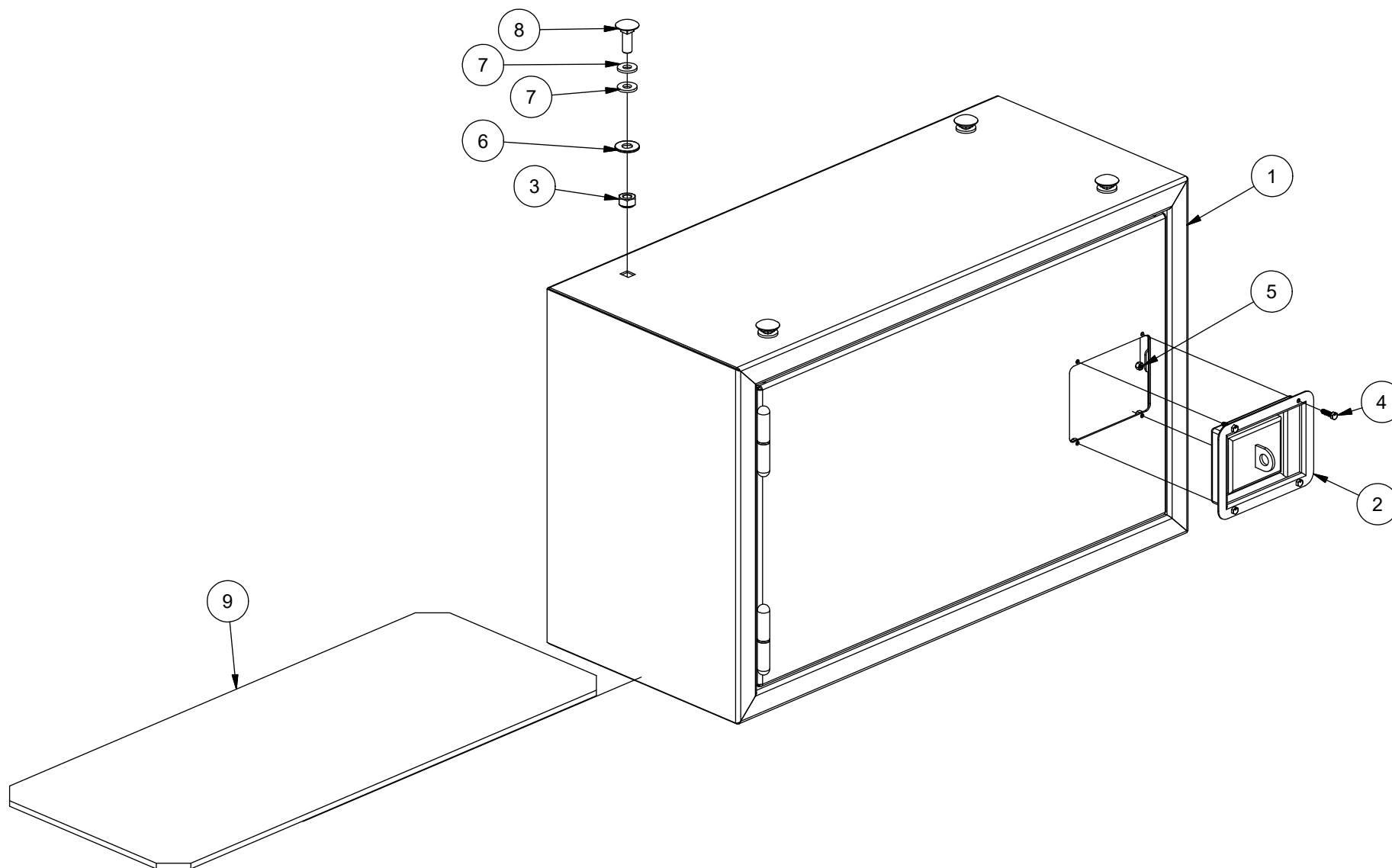
Hydraulic hose for jack : #250334
Boyau hydraulique pour béquille : #250334

10 - BÉQUILLE / JACK



| ITEM | QT | PART/PIECE | ENGLISH DESCRIPTION | DESCRIPTION FRANCAISE | NOTE |
|------|----|-------------|------------------------------------|-------------------------------------|------|
| 1 | 1 | 079-PIE-AA | JACK | CRIC | |
| 2 | 1 | 250027 | JACK'S FOOT | BÉQUILLE SANS CYLINDRE | |
| 3 | 1 | 250030 | JACK LEVER | LEVIER DE CRIC | |
| 6 | 1 | 090-FRM-AF | JACK SUPPORT | SUPPORT DE BÉQUILLE | |
| 7 | 1 | 090-PIE-AB | JACK PIN | GOUPILLE DE BÉQUILLE | |
| 8 | 4 | 506039 | NYLON NUT M10 X 1.5 | ECROU NYLON M10 X 1.5 | |
| 9 | 1 | 506038 | NYLON NUT M20 X 2.5 | ECROU NYLON M20 X 2.5 | |
| 10 | 1 | 506137 | HEX. BOLT M20 X 2.5 X 180mm CL8.8 | BOULON HEX. M20 X 2.5 X 180mm CL8.8 | |
| 11 | 4 | 506037 | NYLON NUT M16 X 2 | ECROU NYLON M16 X 2 | |
| 12 | 4 | 506154 | CARRIAGE BOLT M16 X 2 X 50 CL8.8 | CBZ M16 - 2.00 X 50MM CL8.8 | |
| 13 | 4 | 502004 | FLAT WASHER 3/8 Z | RONDELLE PLATE 3/8 Z | |
| 14 | 1 | 452620 | 6 M.JIC - 6 M.BSPP | 6 M.JIC - 6 M.BSPP | |
| 15 | 1 | 451359 | 82505-6-6 ADAP. MALE JIC/MALE BSPP | 82505-6-6 ADAP. MALE JIC/MALE BSPP | |
| 16 | 1 | 090-PIE-001 | LEVER HOLDER | PORTE-LEVIER | |
| 17 | 4 | 404273 | TRANSMISSION OIL (1 L) | HUILE TRANSMISSION (1 L) | |
| 18 | 4 | 506009-1 | HEX. BOLT M10 X 1.5 X 25mm CL8.8 | BOULON HEX. M10 X 1.5 X 25mm CL8.8 | |
| 19 | 4 | 502008-1 | FLAT WASHER 5/8 Z-SAE | RONDELLE PLATE 5/8 Z-SAE | |
| 20 | 1 | 250028-1 | TANK AND PUMP ASS | POMPE ET RÉSERVOIR ASS | |
| 20.1 | 1 | 250028 | JACK HAND PUMP | POMPE À MAIN DE CRIC | |
| 20.2 | 1 | 250029 | JACK OIL TANK | RÉSERVOIR DU CRIC | |

11 - COFFRE / LOCKER

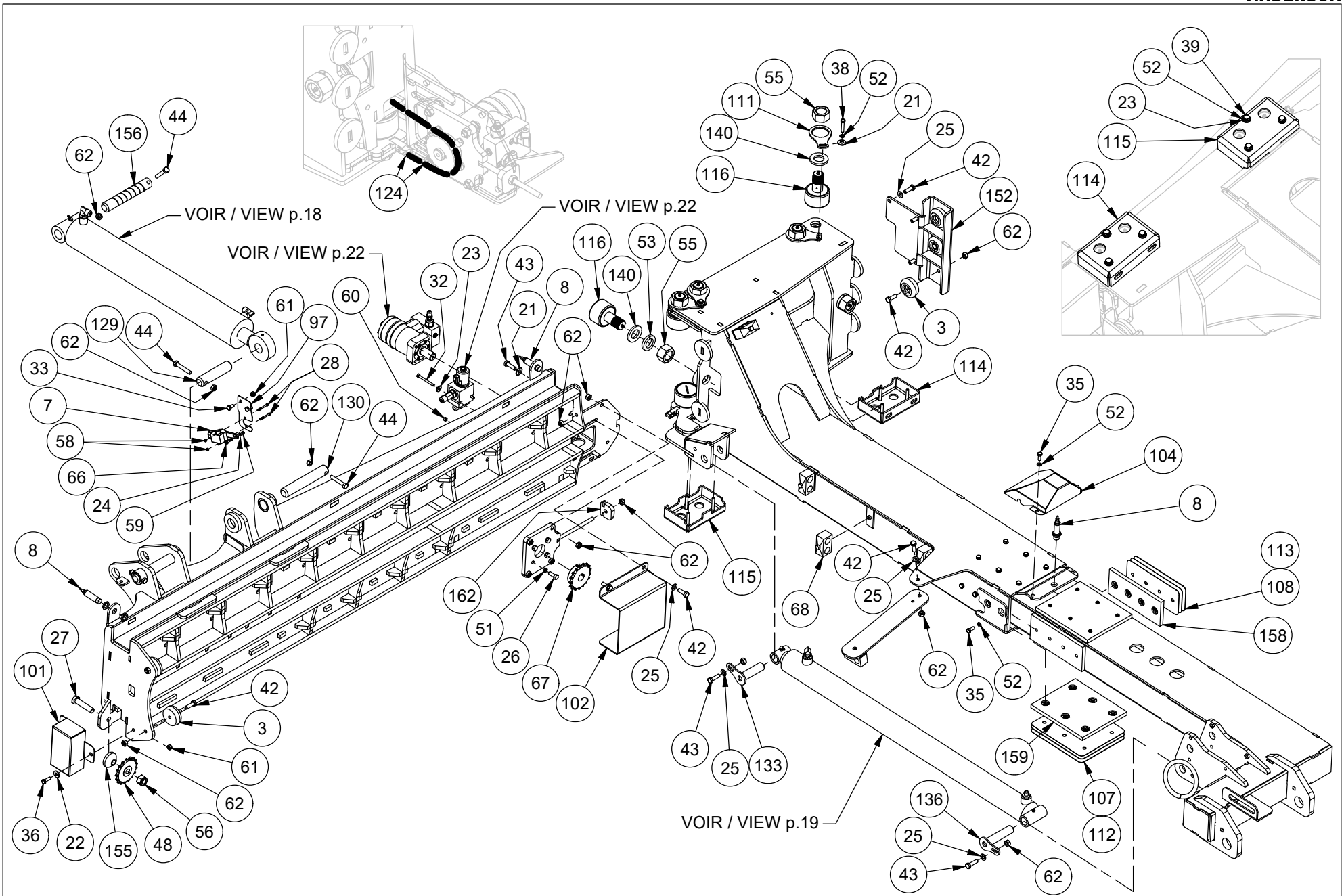


11 - COFFRE / LOCKER



| ITEM | QT | PART/PIECE | ENGLISH DESCRIPTION | DESCRIPTION FRANCAISE | NOTE |
|------|----------|-------------|-------------------------------------|---|------|
| 1 | 1 | 079-FRM-CC | LOCKER FRAME | CHASSIS DU COFFRE | |
| 2 | 1 | 211041 | PADDLE HANDLE | SERRURE A PALETTE | |
| 3 | 4 | 506039 | NYLON NUT M10 X 1.5 | ECROU NYLON M10 X 1.5 | |
| 4 | 4 | 506025 | HBZ M4 - 0.7 X 16MM CL 8.8 Z | HBZ M4 - 0.7 X 16MM CL 8.8 Z | |
| 5 | 4 | 506048 | NYLON NUT M4 | ECROU NYLON M4 | |
| 6 | 4 | 502004 | FLAT WASHER 3/8 Z | RONDELLE PLATE 3/8 Z | |
| 7 | 8 | 502109 | RUBBER FLAT WASHER 3/8x0.093 | RONDELLE CAOUTCHOUC 3/8x0.093 | |
| 8 | 4 | 500705 | CARRIAGE BOLT M10 X 1.50 X 30 CL4.6 | BOULON CAROSSERIE M10 X 1.50 X 30 CL4.6 | |
| 9 | 1 | 079-FRM-216 | RUBBER MATS | TAPIS DE CAOUTCHOUC | |
| 10 | 6,300 ft | 470985 | FOAM TAPE 5/32 X 3/8 | RUBAN MOUSSE 5/32 X 3/8 | |

12 - BRAS DE CHARGEMENT / LOADING ARM (1/2)

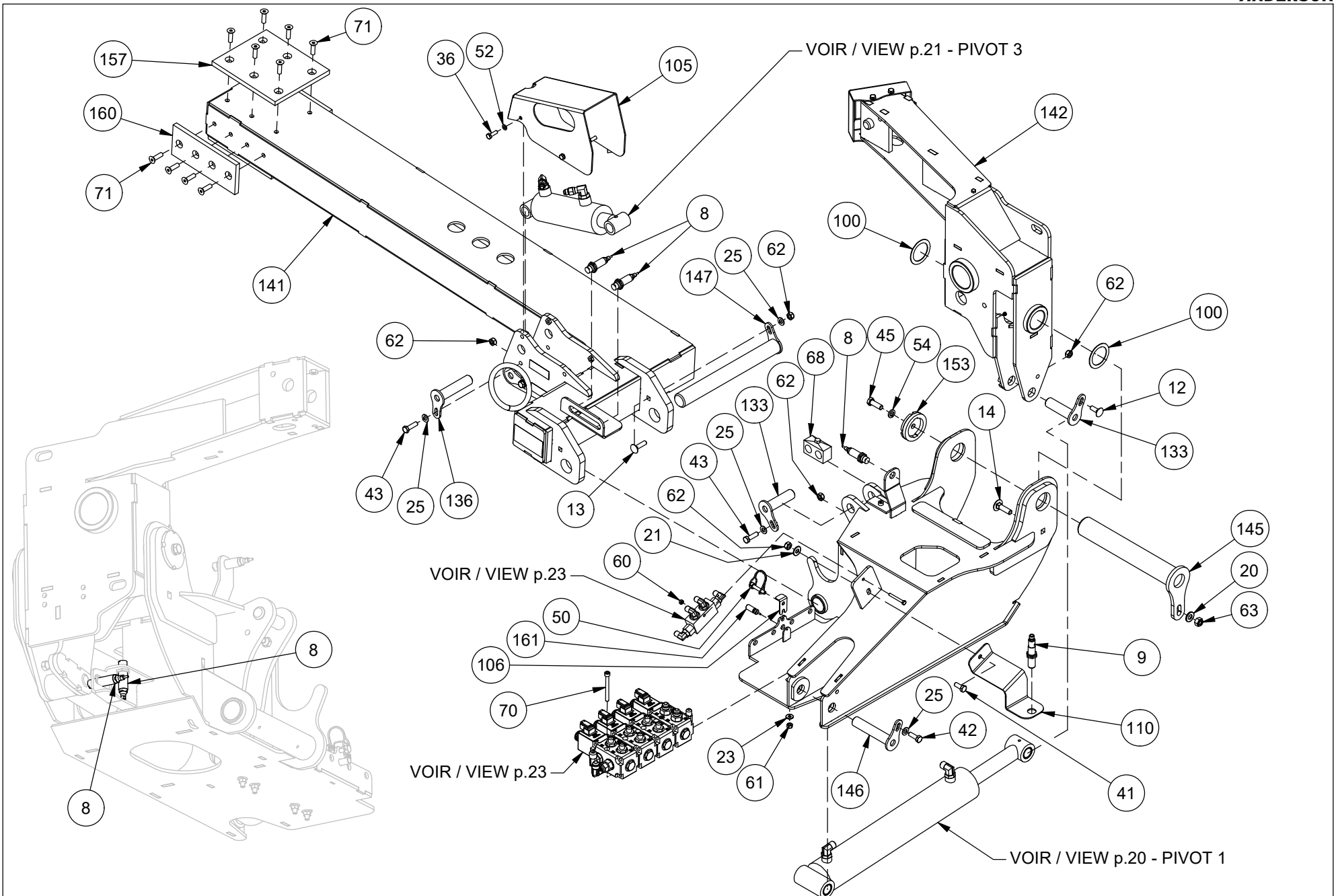


12 - BRAS DE CHARGEMENT / LOADING ARM (2/2)



| ITEM | QT | PART/PIECE | ENGLISH DESCRIPTION | DESCRIPTION FRANCAISE | NOTE |
|------|----|-------------|--|---------------------------------------|------------------------|
| 3 | 6 | 467517 | ROUND BUMPER 2.5X1 | BUTOIR ROND 2.5X1 | |
| 7 | 1 | 315276 | ANGLE SENSOR | CAPTEUR D'ANGLE | LEVER / LEVIER #315296 |
| 8 | 11 | 900678-2 | PROXIMITY SENSOR | CAPTEUR DE PROXIMITÉ | |
| 21 | 10 | 502004 | FLAT WASHER 3/8 Z | RONDELLE PLATE 3/8 Z | |
| 22 | 2 | 502014 | FLAT WASHER 5/16 Z | RONDELLE PLATE 5/16 Z | |
| 23 | 13 | 502002 | FLAT WASHER 1/4 Z | RONDELLE PLATE 1/4 Z | |
| 24 | 1 | 502015 | FLAT WASHER 5MM Z | RONDELLE PLATE 5MM Z | |
| 25 | 20 | 502019 | FLAT WASHER M10 Z | RONDELLE PLATE M10 Z | |
| 26 | 4 | 500084 | HEX BOLT GR5 3/8-16 X 1 | BOULON HEX GR5 3/8-16 X 1 | |
| 27 | 1 | 500249 | HEX BOLT GR5 5/8-11 X 2 3/4 | BOULON HEX GR5 5/8-11 X 2 3/4 | |
| 28 | 2 | 505003 | HBZ M4 X 0.7 X 40MM | HBZ M4 X 0.7 X 40MM | |
| 32 | 2 | 506159 | HEX. BOLT M6 X 1 X 65mm CL8.8 | BOULON HEX. M6 X 1 X 65mm CL8.8 | |
| 33 | 2 | 506004-1 | HEX. BOLT M8 X 1.25 X 16mm CL8.8 | BOULON HEX. M8 X 1.25 X 16mm CL8.8 | |
| 35 | 10 | 506000 | HEX. BOLT M8 X 1.25 X 20mm CL8.8 | BOULON HEX. M8 X 1.25 X 20mm CL8.8 | |
| 36 | 10 | 506001 | HEX. BOLT M8 X 1.25 X 25mm CL8.8 | BOULON HEX. M8 X 1.25 X 25mm CL8.8 | |
| 38 | 4 | 506007 | HEX. BOLT M8 X 1.25 X 40mm CL8.8 | BOULON HEX. M8 X 1.25 X 40mm CL8.8 | |
| 39 | 6 | 506011 | HEX. BOLT M8 X 1.25 X 50mm CL8.8 | BOULON HEX. M8 X 1.25 X 50mm CL8.8 | |
| 42 | 20 | 506009-2 | HEX. BOLT M10 X 1.5 X 30mm CL8.8 | BOULON HEX. M10 X 1.5 X 30mm CL8.8 | |
| 43 | 9 | 506009-3 | HEX. BOLT M10 X 1.5 X 35mm CL8.8 | BOULON HEX. M10 X 1.5 X 35mm CL8.8 | |
| 44 | 4 | 506065 | HEX. BOLT M10 X 1.5 X 60 mm CL8.8 | BOULON HEX. M10 X 1.5 X 60 mm CL8.8 | |
| 48 | 1 | 301108 | IDLER SPROCKET 50A17-5/8 | TENDEUR (IDLER) 50A17-5/8 | |
| 51 | 4 | 502045 | LOCK WASHER 3/8 | RONDELLE DE BLOCAGE 3/8 | |
| 52 | 40 | 502046 | LOCK WASHER 5/16 Z | RONDELLE DE BLOCAGE 5/16 Z | |
| 53 | 2 | 502073 | NUT 1 1/4-12 NF ZINC | ECROU 1 1/4" NF ZINC | |
| 55 | 10 | 501088 | NUT 1 1/4-12 NF ZINC | ECROU 1 1/4" NF ZINC | |
| 56 | 1 | 501035 | HEX NYLON LOCKNUT GR5 5/8-11 Z | ÉCROU NYLON IND HEX GR5 5/8-11 Z | |
| 58 | 2 | 506048 | NYLON NUT M4 | ECROU NYLON M4 | |
| 59 | 1 | 501051 | NYLON NUT | ÉCROU NYLON | |
| 60 | 9 | 506050 | HEX NUT M6 X 1 | ECROU NYLON M6 X 1 | |
| 61 | 13 | 506051 | NYLON NUT M8 X 1.25 | ECROU NYLON M8 X 1.25 | |
| 62 | 61 | 506039 | NYLON NUT M10 X 1.5 | ECROU NYLON M10 X 1.5 | |
| 66 | 1 | 500585 | SHOULDER SCREW 6MM X 12 (THREAD M5) SS | VIS ÉPAULEMENT 6MM X 12 (FILET M5) SS | |
| 67 | 1 | 301057 | SPROCKET 50B17 | ROUE DENTÉE 50B17 | |
| 68 | 11 | 470143 | HOSE SUPPORT | SUPPORT A BOYAU | |
| 97 | 1 | 079-BRS-166 | SENSOR SUPPORT PLATE | PLAQUE DE SUPPORT CAPTEUR | |
| 101 | 1 | 087-BRS-097 | COVER | COUVERT | |
| 102 | 1 | 087-BRS-098 | COVER | COUVERT | |
| 104 | 1 | 087-BRS-148 | COVER | COUVERT | |
| 107 | 2 | 087-BRS-184 | SPACER SLIDING PLATE 0.048" | ESPACEUR PLAQUE GLISSEMENT 0.048" | |
| 108 | 2 | 087-BRS-185 | SPACER SLIDING PLATE 0.048" | ESPACEUR PLAQUE GLISSEMENT 0.048" | |
| 111 | 8 | 087-BRS-191 | BOLT LOCK 1 1-4 | BARRURE DE BOULON 1 1-4 | |
| 112 | 1 | 087-BRS-199 | SPACER SLIDING PLATE 0.036" | ESPACEUR PLAQUE GLISSEMENT 0.036" | |
| 113 | 1 | 087-BRS-205 | SPACER SLIDING PLATE 0.036" | ESPACEUR PLAQUE GLISSEMENT 0.036" | |
| 114 | 1 | 087-BRS-206 | ARM 2.0 FRONT PROTECTION BOX | BOÎTE PROTECTION AVANT BRAS 2.0 | |
| 115 | 1 | 087-BRS-208 | ARM 2.0 BACK PROTECTION BOX | BOÎTE PROTECTION ARRIERE BRAS 2.0 | |
| 116 | 10 | 079-BRS-DN | CAM FOLLOWER 3" | ROUE GUIDÉE 3" | |
| 124 | 1 | 087-BRS-BW | CHAIN ASSEMBLY #50 RBMPRO | ASSEMBLAGE CHAINE #50 RBMPRO | |
| 129 | 1 | 079-FRM-133 | CYLINDER AXLE | AXE DU CYLINDRE | |
| 130 | 2 | 087-BRS-174 | ARM PIVOT PIN | AXE PIVOT BRAS | |
| 133 | 4 | 079-BRS-AR | CYLINDER PIN | AXE DU CYLINDRE | |
| 136 | 3 | 079-BRS-AX | CYLINDER PIN | AXE DU CYLINDRE | |
| 140 | 1 | 087-BRS-AF | ARM EXTENSION FIXED PART | PARTIE FIXE DE L'EXTENSION | |
| 152 | 1 | 087-BRS-BQ | BUMPER SUPPORT | SUPPORT DE BUTÉES | |
| 155 | 1 | 079-BRS-171 | IDLER HOLDER | SUPPORT DU PIGNON | |
| 156 | 1 | 079-FRM-185 | CYLINDER AXLE | AXE DU CYLINDRE | |
| 158 | 2 | 087-BRS-104 | EXTERNAL SLIDING PLATE | PLAQUE DE GLISSEMENT EXTERNE | |
| 159 | 2 | 087-BRS-105 | EXTERNAL SLIDING PLATE | PLAQUE DE GLISSEMENT EXTERNE | |
| 162 | 1 | 087-BRS-090 | TENSIONER LOCK | BARRURE DE TENDEUR | |

13 - BRAS DE CHARGEMENT / LOADING ARM (2/2)



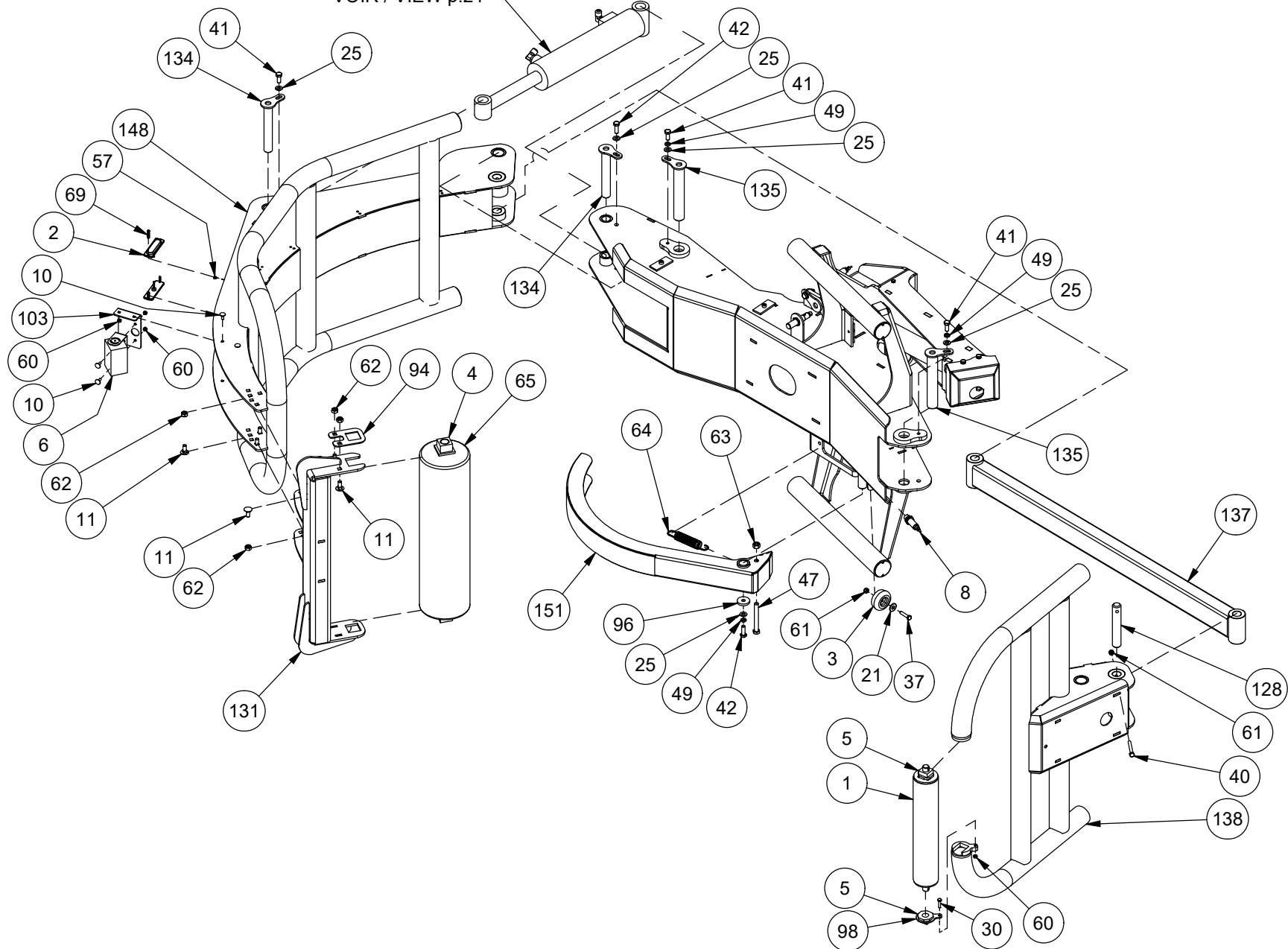
13 - BRAS DE CHARGEMENT / LOADING ARM (2/2)



| ITEM | QT | PART/PIECE | ENGLISH DESCRIPTION | DESCRIPTION FRANCAISE | NOTE |
|------|----|-------------|---|--|------|
| 8 | 11 | 900678-2 | PROXIMITY SENSOR | CAPTEUR DE PROXIMITÉ | |
| 9 | 2 | 900900 | Ultrasonic sensor | Capteur Ultrason | |
| 12 | 1 | 500705 | CARRIAGE BOLT M10 X 1.50 X 30 CL4.6 | BOULON CAROSSERIE M10 X 1.50 X 30 CL4.6 | |
| 13 | 1 | 500707 | CARRIAGE BOLT M10 X 1.50 X 40 CL4.6 | BOULON CAROSSERIE M10 X 1.50 X 40 CL4.6 | |
| 14 | 1 | 500702 | CARRIAGE BOLT M12 X 1.75 X 45 CL8.8 | BOULON CAROSSERIE M12 X 1.75 X 45 CL8.8 | |
| 20 | 2 | 502006 | FLAT WASHER 1/2 Z-SAE | RONDELLE PLATE 1/2 Z-SAE | |
| 21 | 10 | 502004 | FLAT WASHER 3/8 Z | RONDELLE PLATE 3/8 Z | |
| 23 | 13 | 502002 | FLAT WASHER 1/4 Z | RONDELLE PLATE 1/4 Z | |
| 25 | 20 | 502019 | FLAT WASHER M10 Z | RONDELLE PLATE M10 Z | |
| 36 | 10 | 506001 | HEX. BOLT M8 X 1.25 X 25mm CL8.8 | BOULON HEX. M8 X 1.25 X 25mm CL8.8 | |
| 41 | 4 | 506009-1 | HEX. BOLT M10 X 1.5 X 25mm CL8.8 | BOULON HEX. M10 X 1.5 X 25mm CL8.8 | |
| 42 | 20 | 506009-2 | HEX. BOLT M10 X 1.5 X 30mm CL8.8 | BOULON HEX. M10 X 1.5 X 30mm CL8.8 | |
| 43 | 9 | 506009-3 | HEX. BOLT M10 X 1.5 X 35mm CL8.8 | BOULON HEX. M10 X 1.5 X 35mm CL8.8 | |
| 45 | 1 | 506071 | HEX. BOLT M12 X 1.75 X 35mm CL8.8 | BOULON HEX. M12 X 1.75 X 35mm CL8.8 | |
| 50 | 1 | 320031 | LOCK PIN | BARRURE | |
| 52 | 40 | 502046 | LOCK WASHER 5/16 Z | RONDELLE DE BLOCAGE 5/16 Z | |
| 54 | 1 | 502048 | LOCK WASHER 1/2 | RONDELLE DE BLOCAGE 1/2 | |
| 60 | 9 | 506050 | HEX NUT M6 X 1 | ECROU NYLON M6 X 1 | |
| 61 | 13 | 506051 | NYLON NUT M8 X 1.25 | ECROU NYLON M8 X 1.25 | |
| 62 | 61 | 506039 | NYLON NUT M10 X 1.5 | ECROU NYLON M10 X 1.5 | |
| 63 | 3 | 506040 | NYLON NUT M12 X 1.75 | ECROU NYLON M12 X 1.75 | |
| 68 | 11 | 470143 | HOSE SUPPORT | SUPPORT A BOYAU | |
| 70 | 4 | 506189 | HEX SOCKET HEAD CAP SCREW M8 X 1.25 X 80 | VIS TETE CYLINDRIQUE M8 X 1.25 X 80 | |
| 71 | 20 | 506155 | HEX FLAT HEAD CAP SCREW GR5 5/16-18 X 1 1/2 | VIS À TÊTE FRAISÉE HEX CREUX GR5 5/16-18 X 1 1/2 | |
| 100 | 2 | 079-POU-301 | THIN SHIM | CALE MINCE 1/16 | |
| 105 | 1 | 087-BRS-149 | GUARD PIVOT 3 CYLINDER | GARDE CYLINDRE PIVOT 3 | |
| 106 | 1 | 087-BRS-180 | LOCK | BARRURE | |
| 110 | 1 | 087-BRS-189 | SENSOR SUPPORT | SUPPORT DE CAPTEUR | |
| 133 | 4 | 079-BRS-AR | CYLINDER PIN | AXE DU CYLINDRE | |
| 136 | 3 | 079-BRS-AX | CYLINDER PIN | AXE DU CYLINDRE | |
| 141 | 1 | 087-BRS-AH | MOBILE PART OF THE EXTENSION | PARTIE MOBILE DE L'EXTENSION | |
| 142 | 1 | 087-BRS-AK | PIVOT 1 FRAME | BATIT DU PIVOT 1 | |
| 145 | 1 | 087-BRS-AN | PIVOT 2 CYLINDER PIN | AXE CYLINDRE PIVOT 2 | |
| 146 | 1 | 087-BRS-AO | CYLINDER PIN | AXE DU CYLINDRE | |
| 147 | 1 | 087-BRS-AP | CYLINDER PIN | AXE DU CYLINDRE | |
| 153 | 1 | 087-BRS-BR | PIVOT 1 SUPPORT WASHER | RONDELLE SUPPORT PIVOT1 | |
| 157 | 2 | 087-BRS-103 | | | |
| 160 | 2 | 087-BRS-106 | EXTERNAL SLIDING PLATE | PLAQUE DE GLISSEMENT EXTERNE | |
| 161 | 1 | 087-BRS-179 | DIVERTER VALVE MAN. ACTIVATOR | ACTIVATEUR MAN. VALVE DEVIATRICE | |
| 19 | 20 | 501918 | T-NUT | ECROU A BOIS | |
| 33 | 2 | 506004-1 | HEX. BOLT M8 X 1.25 X 16mm CL8.8 | BOULON HEX. M8 X 1.25 X 16mm CL8.8 | |
| 158 | 2 | 087-BRS-104 | EXTERNAL SLIDING PLATE | PLAQUE DE GLISSEMENT EXTERNE | |
| 159 | 2 | 087-BRS-105 | EXTERNAL SLIDING PLATE | PLAQUE DE GLISSEMENT EXTERNE | |

14 - PINCE DE CHARGEMENT / LOADING CLAMP (1/2)

VOIR / VIEW p.21

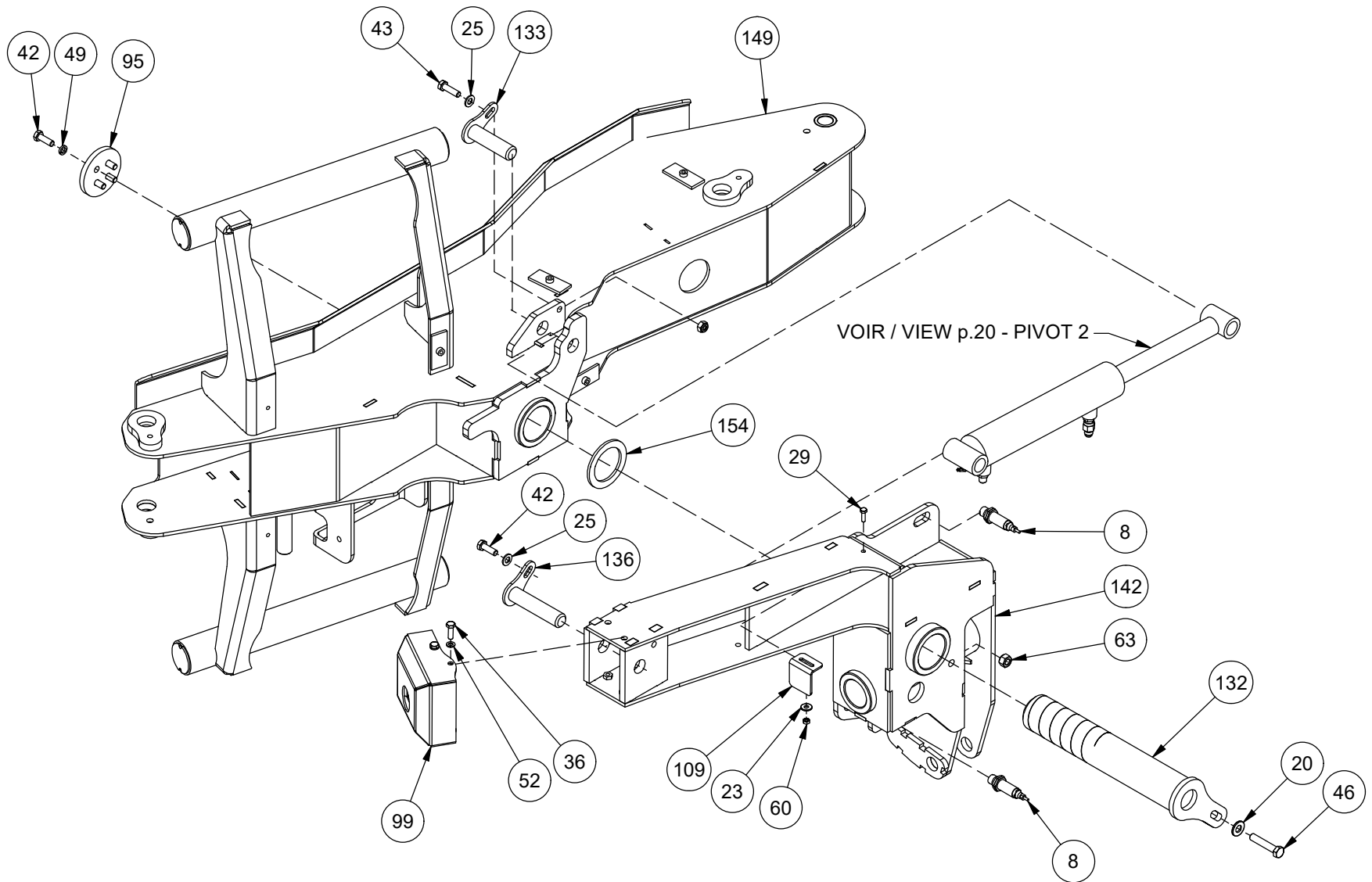


14 - PINCE DE CHARGEMENT / LOADING CLAMP (1/2)



| ITEM | QT | PART/PIECE | ENGLISH DESCRIPTION | DESCRIPTION FRANCAISE | NOTE |
|------|----|-------------|-------------------------------------|---|------|
| 1 | 1 | 079-BRS-BI | CLAMP SMALL ROLL | PETIT ROULEAU DE LA PINCE | |
| 2 | 1 | 900594-1 | ASSEMBLED STROB LAMP RBMPRO | LUMIÈRE STROB RBMPRO ASSEMBLEE | |
| 3 | 6 | 467517 | ROUND BUMPER 2.5X1 | BUTOIR ROND 2.5X1 | |
| 4 | 2 | 279001 | PLASTIC BUSHING | MANCHON DE PLASTIQUE | |
| 5 | 2 | 279002 | PLASTIC BUSHING | MANCHON DE PLASTIQUE | |
| 6 | 1 | 900759 | CAB CAMERA | CAB CAMÉRA | |
| 8 | 11 | 900678-2 | PROXIMITY SENSOR | CAPTEUR DE PROXIMITÉ | |
| 10 | 4 | 506157 | CARRIAGE BOLT M6 X 1.0 X 16 CL8.8 | BOULON CAROSSERIE M6 X 1.0 X 16 CL8.8 | |
| 11 | 8 | 500700 | CARRIAGE BOLT M10 X 1.50 X 25 CL8.8 | BOULON CAROSSERIE M10 X 1.50 X 25 CL8.8 | |
| 21 | 10 | 502004 | FLAT WASHER 3/8 Z | RONDELLE PLATE 3/8 Z | |
| 25 | 20 | 502019 | FLAT WASHER M10 Z | RONDELLE PLATE M10 Z | |
| 30 | 1 | 506003 | HEX. BOLT M6 X 1 X 25mm CL8.8 | BOULON HEX. M6 X 1 X 25mm CL8.8 | |
| 37 | 1 | 506156 | HEX. BOLT M8 X 1.25 X 35mm CL10.9 | BOULON HEX. M8 X 1.25 X 35mm CL10.9 | |
| 40 | 2 | 506162 | HEX. BOLT M8 X 1.25 X 65 mm CL8.8 | BOULON HEX. M8 X 1.25 X 65 mm CL8.8 | |
| 41 | 4 | 506009-1 | HEX. BOLT M10 X 1.5 X 25mm CL8.8 | BOULON HEX. M10 X 1.5 X 25mm CL8.8 | |
| 42 | 20 | 506009-2 | HEX. BOLT M10 X 1.5 X 30mm CL8.8 | BOULON HEX. M10 X 1.5 X 30mm CL8.8 | |
| 47 | 1 | 506103 | HEX. BOLT M12 X 1.75 X 100mm CL8.8 | BOULON HEX. M12 X 1.75 X 100mm CL8.8 | |
| 49 | 7 | 502042 | LOCK WASHER M10 ZINC | RONDELLE DE BLOCAGE M10 ZINC | |
| 57 | 4 | 501050-2 | NYLON NUT | ÉCROU NYLON | |
| 60 | 9 | 506050 | HEX NUT M6 X 1 | ECROU NYLON M6 X 1 | |
| 61 | 13 | 506051 | NYLON NUT M8 X 1.25 | ECROU NYLON M8 X 1.25 | |
| 62 | 61 | 506039 | NYLON NUT M10 X 1.5 | ECROU NYLON M10 X 1.5 | |
| 63 | 3 | 506040 | NYLON NUT M12 X 1.75 | ECROU NYLON M12 X 1.75 | |
| 64 | 1 | 304001 | SPRING | RESSORT | |
| 65 | 1 | 224408 | BLACK ROLL 6" DIA X (25" 5/8) | ROULEAU NOIR 6" DIA X (25" 5/8) | |
| 69 | 4 | 507087-1 | MACHINE SCREW 6-32 X 1" | VIS A MACHINE 6-32 X 1" | |
| 94 | 1 | 079-BRS-054 | ROLL BLOCKER | BLOQUEUR DE ROULEAU | |
| 96 | 1 | 079-BRS-160 | WASHER | RONDELLE | |
| 98 | 1 | 079-BRS-216 | SMALL ROLL LOCK | BARRURE DU PETIT ROULEAU | |
| 103 | 1 | 087-BRS-133 | CAM SUPPORT | SUPPORT CAMÉRA | |
| 128 | 2 | 079-BRS-143 | CROSS BAR PIN | AXE DE LA BARRE TRANSVERSALE | |
| 131 | 1 | 079-BRS-AI | ROLL HOLDER | SUPPORT DE ROULEAU | |
| 134 | 2 | 079-BRS-AT | CLAMP CYLINDER PIN | AXE DU CYLINDRE DE LA PINCE | |
| 135 | 2 | 079-BRS-AU | SMALL JAW PIN | AXE DE LA PETITE PINCE | |
| 137 | 1 | 079-BRS-BC | CROSS BAR | BARRE TRANSVERSALE | |
| 138 | 1 | 079-BRS-BJ | SMALL JAW | PETITE PINCE | |
| 148 | 1 | 087-BRS-AW | BIG JAW | GRANDE PINCE | |
| 151 | 1 | 087-BRS-BP | BALE DETECTOR | DÉTECTEUR DE BALLE | |
| 19 | 20 | 501918 | T-NUT | ECROU A BOIS | |
| 33 | 2 | 506004-1 | HEX. BOLT M8 X 1.25 X 16mm CL8.8 | BOULON HEX. M8 X 1.25 X 16mm CL8.8 | |
| 158 | 2 | 087-BRS-104 | EXTERNAL SLIDING PLATE | PLAQUE DE GLISSEMENT EXTERNE | |
| 159 | 2 | 087-BRS-105 | EXTERNAL SLIDING PLATE | PLAQUE DE GLISSEMENT EXTERNE | |

14 - PINCE DE CHARGEMENT / LOADING CLAMP (2/2)



14 - PINCE DE CHARGEMENT / LOADING CLAMP (2/2)



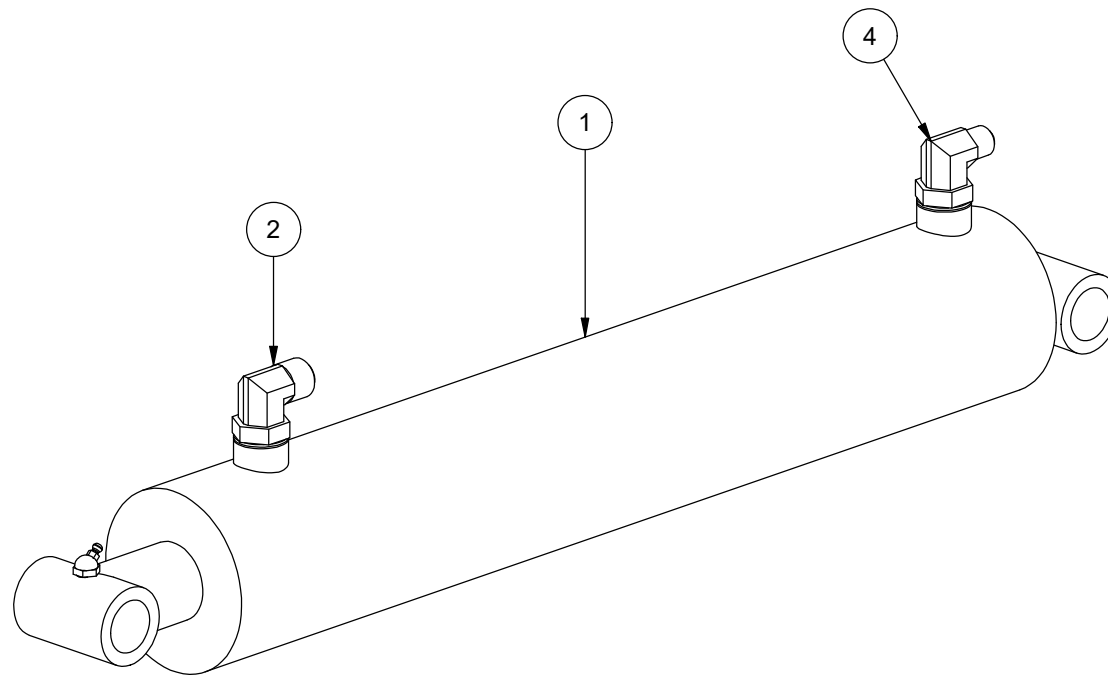
| ITEM | QT | PART/PIECE | ENGLISH DESCRIPTION | DESCRIPTION FRANCAISE | NOTE |
|------|----|-------------|-----------------------------------|-------------------------------------|------|
| 8 | 11 | 900678-2 | PROXIMITY SENSOR | CAPTEUR DE PROXIMITÉ | |
| 20 | 2 | 502006 | FLAT WASHER 1/2 Z-SAE | RONDELLE PLATE 1/2 Z-SAE | |
| 23 | 13 | 502002 | FLAT WASHER 1/4 Z | RONDELLE PLATE 1/4 Z | |
| 25 | 20 | 502019 | FLAT WASHER M10 Z | RONDELLE PLATE M10 Z | |
| 29 | 1 | 506124 | HEX. BOLT M6 X 1 X 20mm CL8.8 | BOULON HEX. M6 X 1 X 20mm CL8.8 | |
| 36 | 10 | 506001 | HEX. BOLT M8 X 1.25 X 25mm CL8.8 | BOULON HEX. M8 X 1.25 X 25mm CL8.8 | |
| 42 | 20 | 506009-2 | HEX. BOLT M10 X 1.5 X 30mm CL8.8 | BOULON HEX. M10 X 1.5 X 30mm CL8.8 | |
| 43 | 9 | 506009-3 | HEX. BOLT M10 X 1.5 X 35mm CL8.8 | BOULON HEX. M10 X 1.5 X 35mm CL8.8 | |
| 46 | 1 | 507136 | HEX. BOLT M12 X 1.75 X 60mm CL8.8 | BOULON HEX. M12 X 1.75 X 60mm CL8.8 | |
| 49 | 7 | 502042 | LOCK WASHER M10 ZINC | RONDELLE DE BLOCAGE M10 ZINC | |
| 52 | 40 | 502046 | LOCK WASHER 5/16 Z | RONDELLE DE BLOCAGE 5/16 Z | |
| 60 | 9 | 506050 | HEX NUT M6 X 1 | ECROU NYLON M6 X 1 | |
| 63 | 3 | 506040 | NYLON NUT M12 X 1.75 | ECROU NYLON M12 X 1.75 | |
| 95 | 1 | 079-BRS-118 | WASHER WITH HOLES | RONDELLE TROUÉE | |
| 99 | 1 | 079-BRS-232 | PROTECTION GUARD | COUVERCLE DE PROTECTION | |
| 109 | 1 | 087-BRS-186 | DETECTION PLATE | PLAQUE DE DÉTECTION | |
| 132 | 1 | 079-BRS-AQ | PIVOT 1 PIN | AXE PIVOT 1 | |
| 133 | 4 | 079-BRS-AR | CYLINDER PIN | AXE DU CYLINDRE | |
| 136 | 3 | 079-BRS-AX | CYLINDER PIN | AXE DU CYLINDRE | |
| 142 | 1 | 087-BRS-AK | PIVOT 1 FRAME | BATIT DU PIVOT 1 | |
| 149 | 1 | 087-BRS-BE | CLAMP FRAME | BATIT DE LA PINCE | |
| 154 | 1 | 079-BRS-056 | SPACER | CALE | |
| 19 | 20 | 501918 | T-NUT | ECROU A BOIS | |
| 33 | 2 | 506004-1 | HEX. BOLT M8 X 1.25 X 16mm CL8.8 | BOULON HEX. M8 X 1.25 X 16mm CL8.8 | |
| 158 | 2 | 087-BRS-104 | EXTERNAL SLIDING PLATE | PLAQUE DE GLISSEMENT EXTERNE | |
| 159 | 2 | 087-BRS-105 | EXTERNAL SLIDING PLATE | PLAQUE DE GLISSEMENT EXTERNE | |

15 - CYLINDRE TIMON / DRAWBAR CYLINDER



ANDERSON

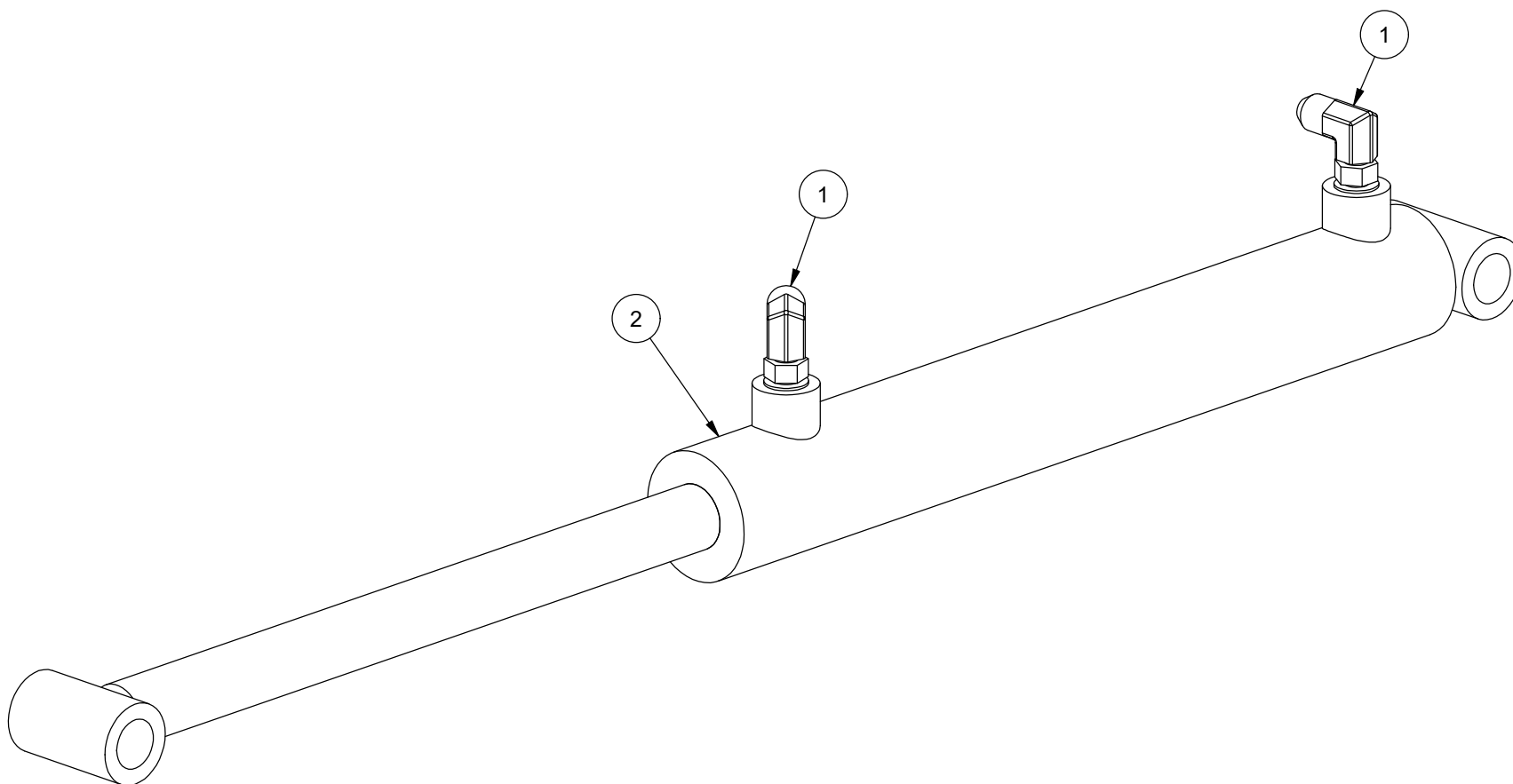
| ITEM | QT | PART/PIECE | ENGLISH DESCRIPTION | DESCRIPTION FRANCAISE | NOTE |
|------|----|------------|-----------------------|-----------------------|------|
| 1 | 1 | 467844 | CYLINDER | CYLINDRE | |
| 2 | 1 | 451265 | 8 M.JIC - 8 M.ORB 90° | 8 M.JIC - 8 M.ORB 90° | |
| 4 | 1 | 451261 | 6 M.JIC - 8 M.ORB | 6 M.JIC - 8 M.ORB | |



16 - CYLINDRE ARBRE À CONVOYEUR / CONVEYOR SHAFT CYLINDER



| ITEM | QT | PART/PIECE | ENGLISH DESCRIPTION | DESCRIPTION FRANCAISE | NOTE |
|------|----|------------|-----------------------|-----------------------|------|
| 1 | 2 | 451258 | 6 M.JIC - 4 M.ORB 90° | 6 M.JIC - 4 M.ORB 90° | |
| 2 | 1 | 467003 | HYDRAULIC CYLINDER | CYLINDRE HYDRAULIQUE | |

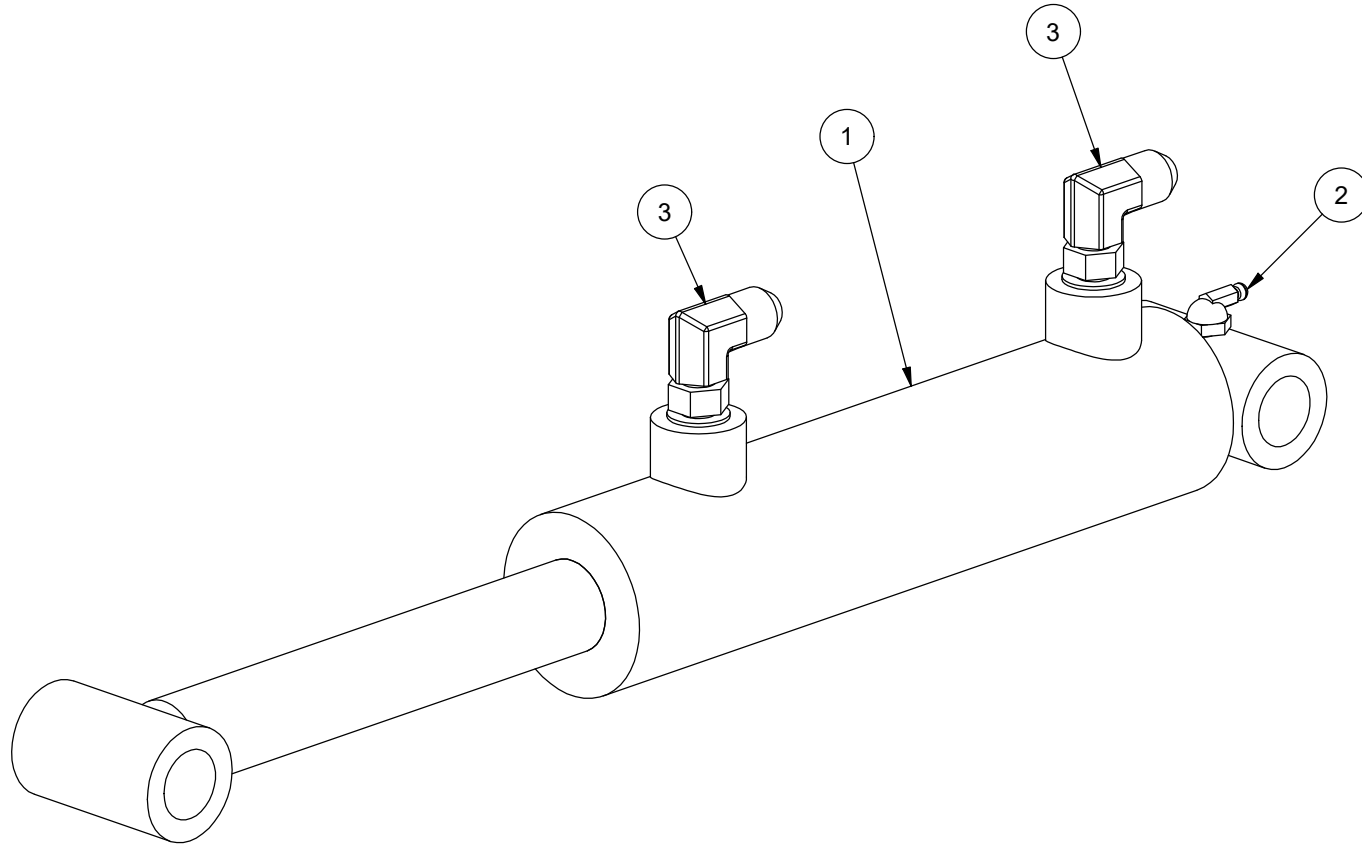


17 - CYLINDRE STOPPEUR DE BALLE / BALE STOPPER CYLINDER



ANDERSON

| ITEM | QT | PART/PIECE | ENGLISH DESCRIPTION | DESCRIPTION FRANCAISE | NOTE |
|------|----|------------|------------------------------|-------------------------|------|
| 1 | 1 | 467000 | HYDRAULIC CYLINDER | CYLINDRE HYDRAULIQUE | |
| 2 | 1 | 322294-1 | GREASE FITTING 1/8 NPT 90 DG | GRAISSEUR 1/8 NPT 90 DG | |
| 3 | 2 | 451258 | 6 M.JIC - 4 M.ORB 90° | 6 M.JIC - 4 M.ORB 90° | |

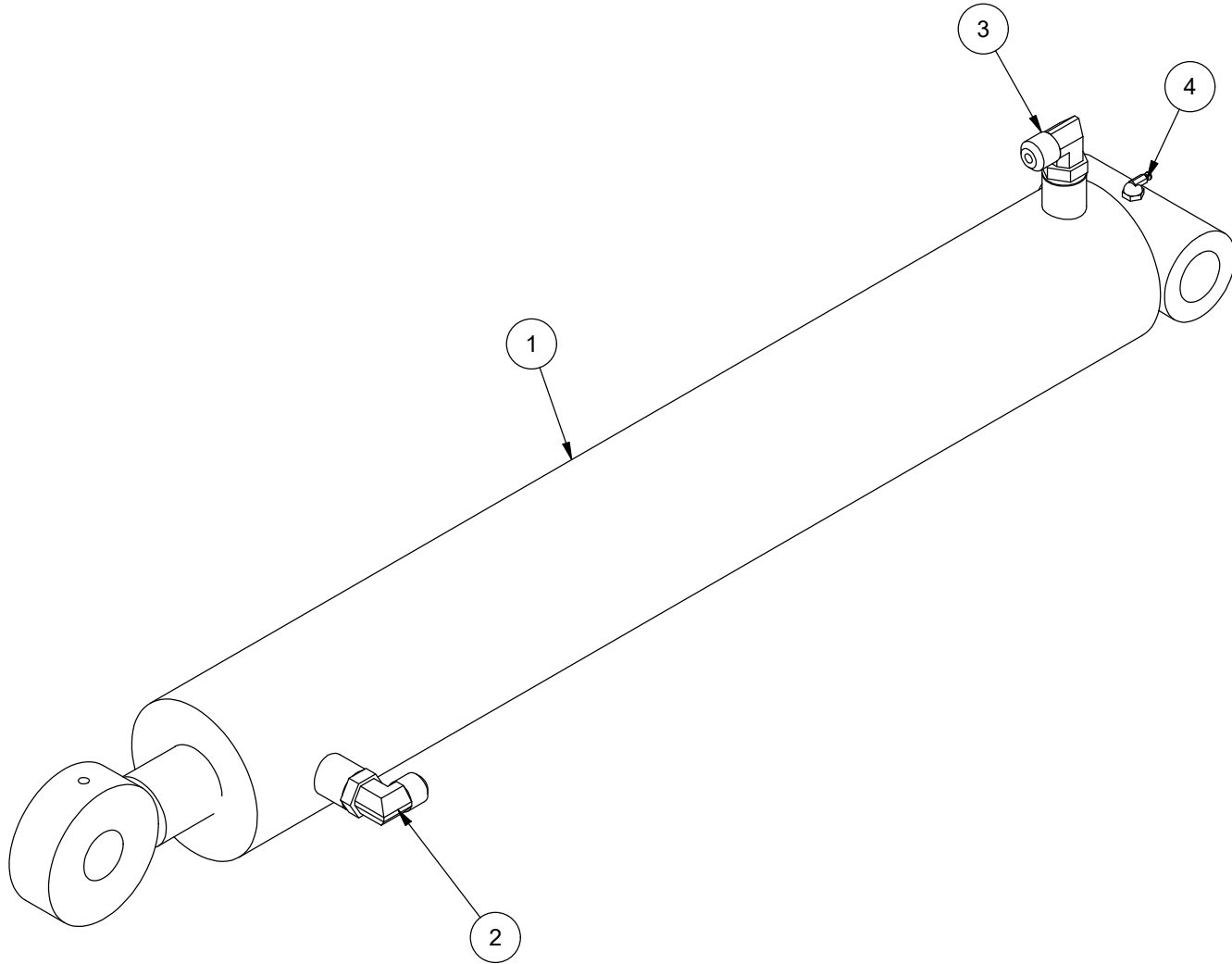


18 - CYLINDRE LEVAGE BRAS / ARM LIFTING CYLINDER



ANDERSON

| ITEM | QT | PART/PIECE | ENGLISH DESCRIPTION | DESCRIPTION FRANCAISE | NOTE |
|------|----|------------|------------------------------|-------------------------|------|
| 1 | 1 | 467309 | HYDRAULIC CYLINDER | CYLINDRE HYDRAULIQUE | |
| 2 | 1 | 451265 | 8 M.JIC - 8 M.ORB 90° | 8 M.JIC - 8 M.ORB 90° | |
| 3 | 1 | 451265M | 8M JIC - 8M ORB 90° | 8M JIC - 8M ORB 90° | |
| 4 | 1 | 322294-1 | GREASE FITTING 1/8 NPT 90 DG | GRAISSEUR 1/8 NPT 90 DG | |

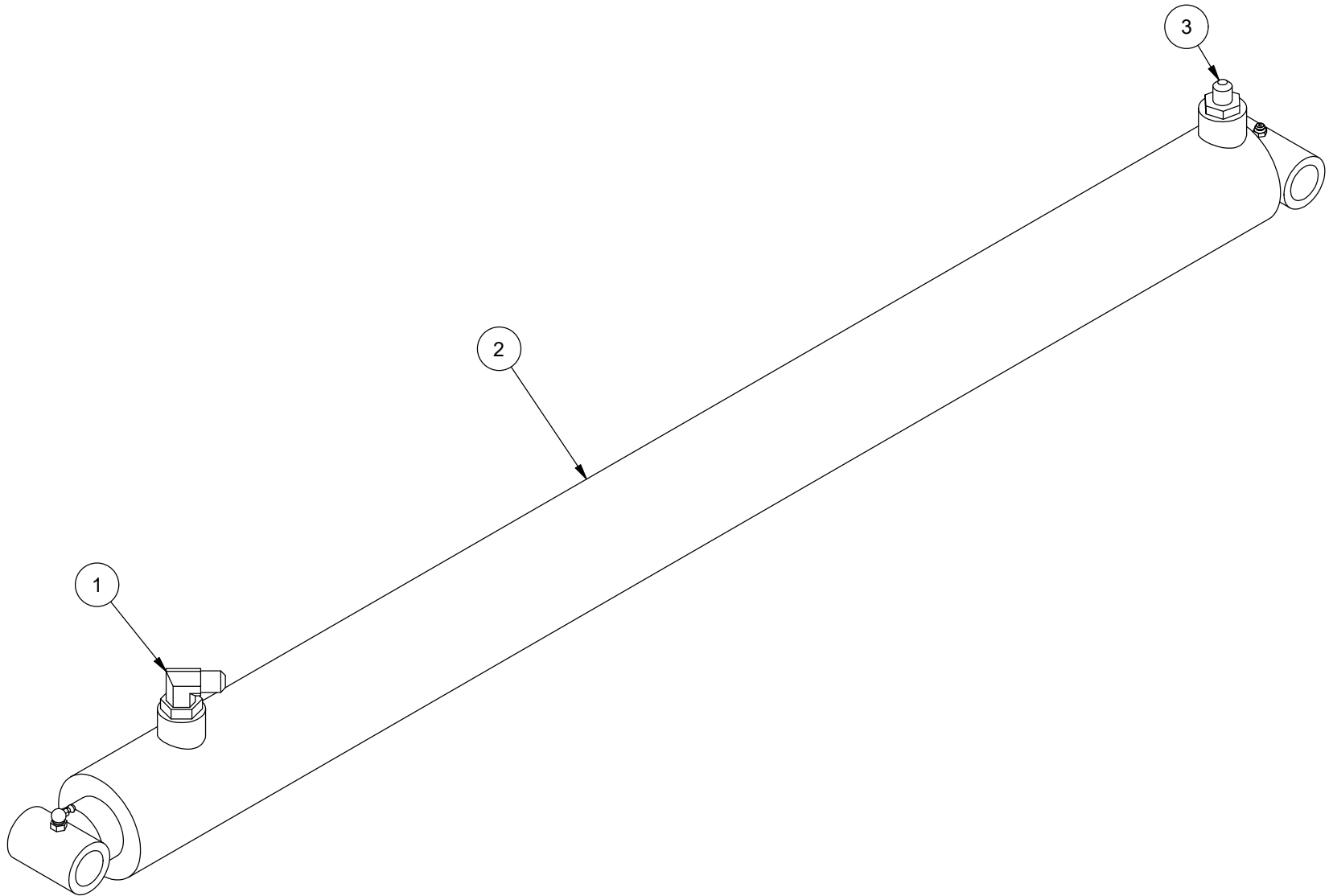


19 - CYLINDRE EXTENSION BRAS / ARM EXTENSION CYLINDER



ANDERSON

| ITEM | QT | PART/PIECE | ENGLISH DESCRIPTION | DESCRIPTION FRANCAISE | NOTE |
|------|----|------------|---------------------|-----------------------|------|
| 1 | 1 | 451261 | 6 M.JIC - 8 M.ORB | 6 M.JIC - 8 M.ORB | |
| 2 | 1 | 467039 | CYLINDER | CYLINDRE | |
| 3 | 1 | 451172 | 6 M JIC - 8 M ORB | 6 M JIC - 8 M ORB | |
| 4 | 1 | 322298 | GREASE FITTING | GRAISSEUR | |

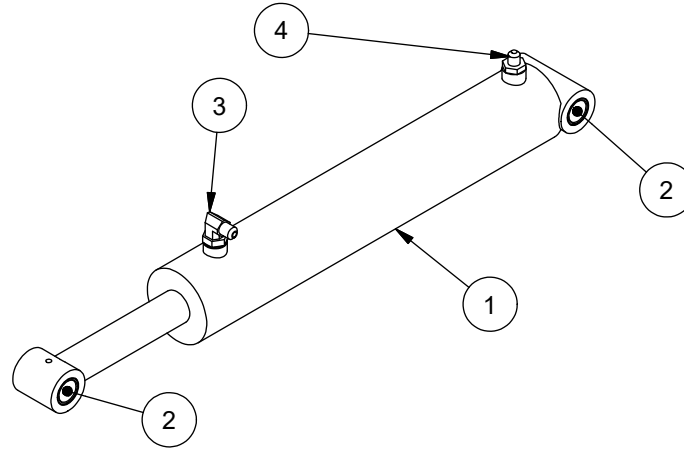


20 - PIVOT 1 & PIVOT 2



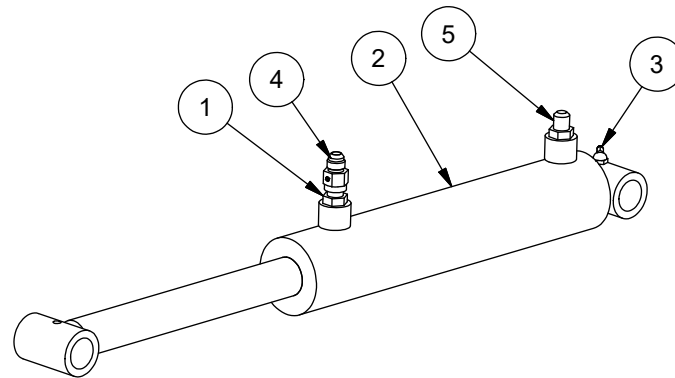
PIVOT 1

| ITEM | QT | PART/PIECE | ENGLISH DESCRIPTION | DESCRIPTION FRANCAISE | NOTE |
|------|----|-------------|-------------------------------------|---------------------------------------|------|
| 1 | 1 | 467858 | CYLINDER | CYLINDRE | |
| 2 | 4 | 079-BRS-603 | BUSHING 1.25 X 1.01 X 1 -BRONZE 660 | COUSSINET 1.25 X 1.01 X 1 -BRONZE 660 | |
| 3 | 1 | 451261 | 6 M.JIC - 8 M.ORB | 6 M.JIC - 8 M.ORB | |
| 4 | 1 | 451172 | 6 M JIC - 8 M ORB | 6 M JIC - 8 M ORB | |



PIVOT - 2

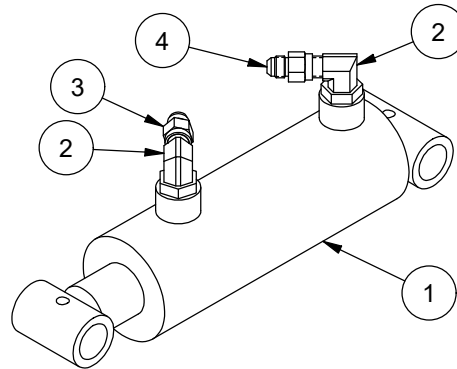
| ITEM | QT | PART/PIECE | ENGLISH DESCRIPTION | DESCRIPTION FRANCAISE | NOTE |
|------|----|------------|------------------------------|-------------------------|------|
| 1 | 1 | 451171 | 6 M.JIC- 6M.ORB | 6 M.JIC- 6M.ORB | |
| 2 | 1 | 467009 | CYLINDER | CYLINDRE | |
| 3 | 1 | 322294-1 | GREASE FITTING 1/8 NPT 90 DG | GRAISSEUR 1/8 NPT 90 DG | |
| 4 | 1 | 450573 | 5100-06-06 HOLE 1/32 | 5100-06-06 ORIFICE 1/32 | |
| 5 | 1 | 451171M | M JIC 6 - M ORB 6 | M JIC 6 - M ORB 6 | |



21 - PIVOT 3 & CYLINDRE SERRAGE DE LA PINCE / CLAMP GRIPPING CYLINDER

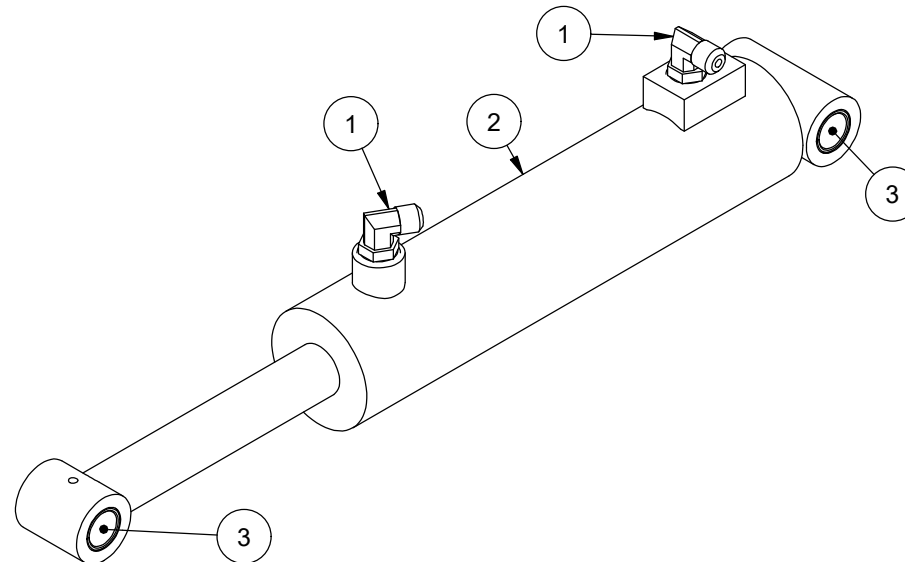


| PIVOT 3 | | | | | |
|---------|----|------------|----------------------|-------------------------|------|
| ITEM | QT | PART/PIECE | ENGLISH DESCRIPTION | DESCRIPTION FRANCAISE | NOTE |
| 1 | 1 | 467025 | CYLINDER | CYLINDRE | |
| 2 | 2 | 451261 | 6 M.JIC - 8 M.ORB | 6 M.JIC - 8 M.ORB | |
| 3 | 1 | 450574 | 5100-06-06 HOLE 3/64 | 5100-06-06 ORIFICE 3/64 | |
| 4 | 1 | 450448 | 5100-06-06 HOLE 1/16 | 5100-06-06 ORIFICE 1/16 | |



CYLINDRE SERRAGE DE LA PINCE / CLAMP GRIPPING CYLINDER

| ITEM | QT | PART/PIECE | ENGLISH DESCRIPTION | DESCRIPTION FRANCAISE | NOTE |
|------|----|-------------|-------------------------------------|---------------------------------------|------|
| 1 | 2 | 451266 | 8 M.JIC - 10 M.ORB 90° | 8 M.JIC - 10 M.ORB 90° | |
| 2 | 1 | 467857 | CYLINDER | CYLINDRE | |
| 3 | 4 | 079-BRS-603 | BUSHING 1.25 X 1.01 X 1 -BRONZE 660 | COUSSINET 1.25 X 1.01 X 1 -BRONZE 660 | |

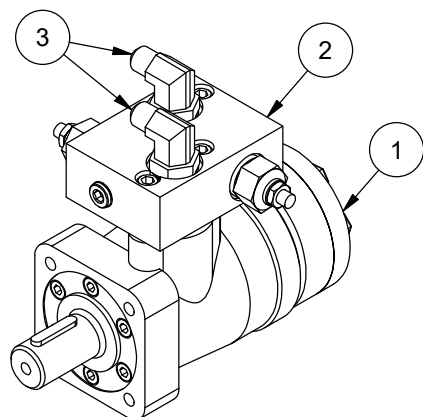


22 - MOTEUR HYDRAULIQUE / HYDRAULIC MOTOR & VALVE



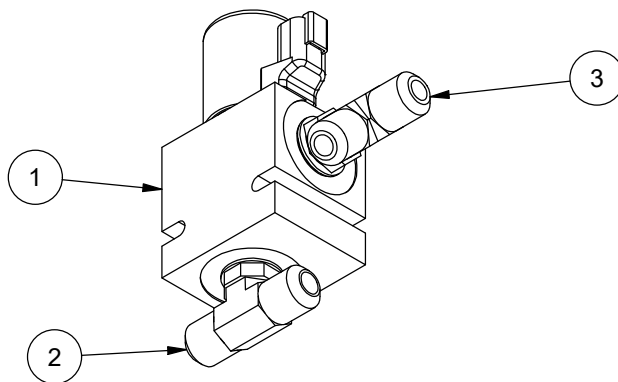
MOTEUR HYDRAULIQUE / HYDRAULIC MOTOR

| ITEM | QT | PART/PIECE | ENGLISH DESCRIPTION | DESCRIPTION FRANCAISE | NOTE |
|------|----|------------|--|---|------|
| 1 | 1 | 469158 | HYDRAULIC MOTOR | MOTEUR HYDRAULIQUE | |
| 2 | 1 | 465019 | AJUSTABLE CROSSOVER RELIEF | VALVE DE SURETÉ CROISÉE AJUSTABLE | |
| 3 | 2 | 451262 | 6 M.JIC - 10 M.ORB 90° | 6 M.JIC - 10 M.ORB 90° | |
| 4 | 4 | 507046 | HEX SOCKET HEAD CAP SCREW 5/16 X 1 1/2 | VIS HEX CREUX TÊTE CYLINDRIQUE 5/16 X 1 1/2 | |



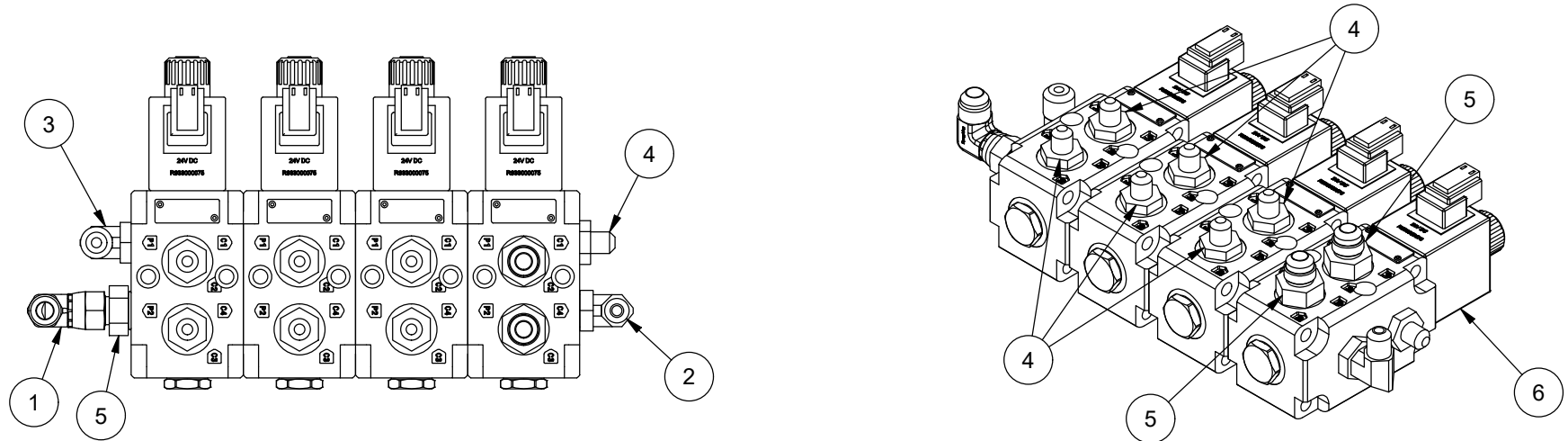
VALVE DE MAINTIEN / HOLDING VALVE

| ITEM | QT | PART/PIECE | ENGLISH DESCRIPTION | DESCRIPTION FRANCAISE | NOTE |
|------|----|------------|----------------------|-----------------------|------|
| 1 | 1 | 466021-1 | HOLDING VALVE | VALVE DE MAINTIEN | |
| 2 | 1 | 451313 | 8 M.JIC - 8 M.ORB | 8 M.JIC - 8 M.ORB | |
| 3 | 1 | 451324 | M JIC 8 - M ORB 6 TE | M JIC 8 - M ORB 6 TE | |



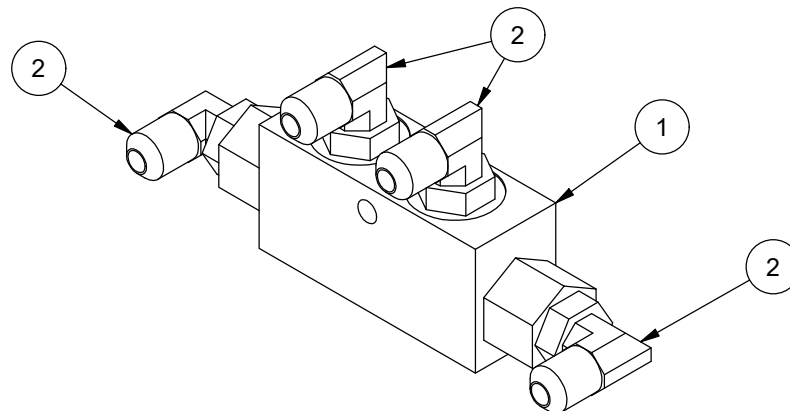
VALVE DEVIATRICE / DIVERTER VALVE

| ITEM | QT | PART/PIECE | ENGLISH DESCRIPTION | DESCRIPTION FRANCAISE | NOTE |
|------|----|------------|------------------------|---------------------------|------|
| 1 | 1 | 450955 | 5506-08-08 | 5506-08-08 | |
| 2 | 1 | 451261 | 6 M.JIC - 8 M.ORB | 6 M.JIC - 8 M.ORB | |
| 3 | 1 | 451265 | 8 M.JIC - 8 M.ORB 90° | 8 M.JIC - 8 M.ORB 90° | |
| 4 | 7 | 451172 | 6 M JIC - 8 M ORB | 6 M JIC - 8 M ORB | |
| 5 | 3 | 451178 | 8 M.JIC - 8 M.ORB | 8 M.JIC - 8 M.ORB | |
| 6 | 1 | 465113 | 12 WAYS DIVERTER VALVE | VALVE DEVIATRICE 12 VOIES | |

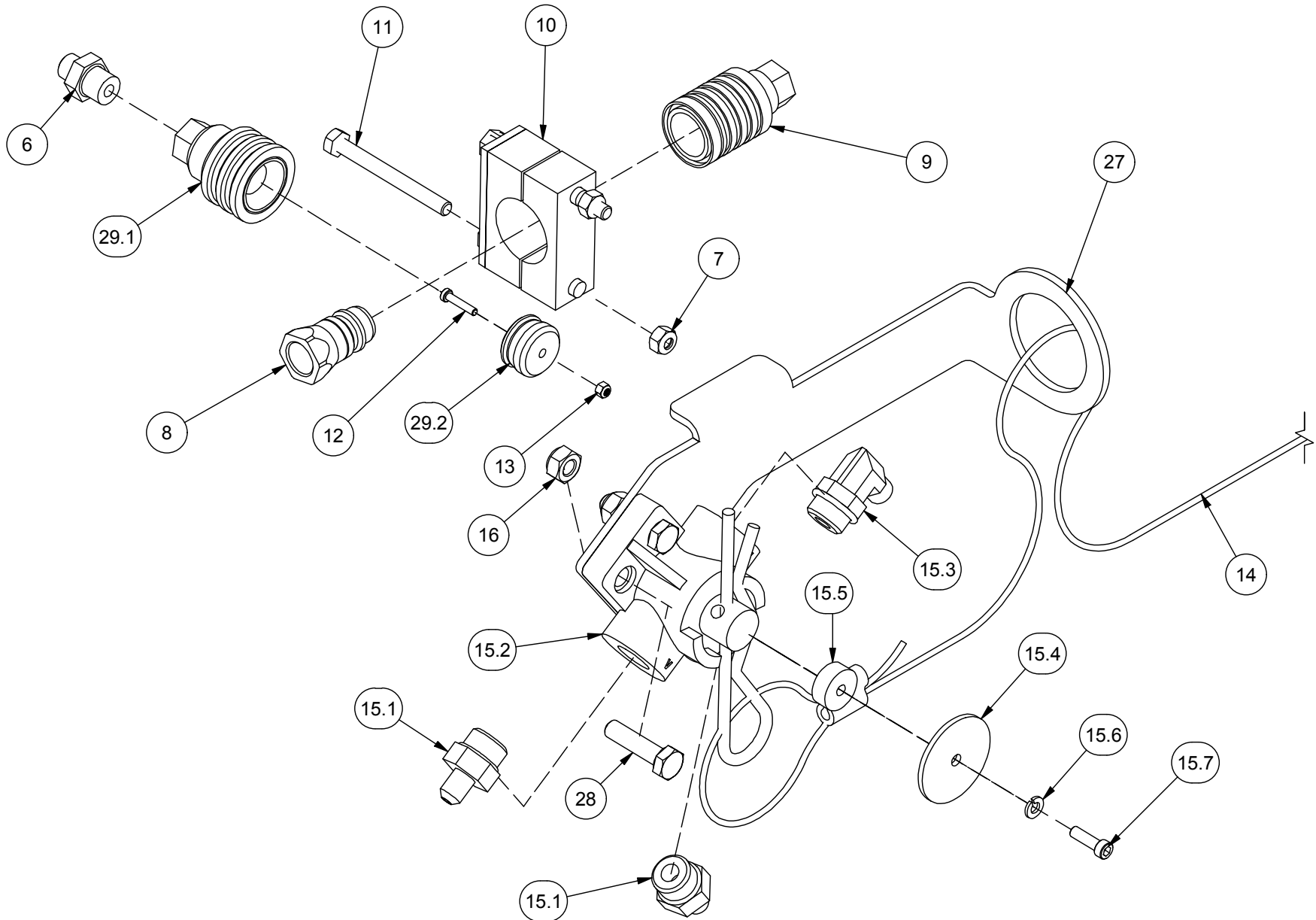


VALVE DE MAINTIEN DE CHARGE / LOCK VALVE

| ITEM | QT | PART/PIECE | ENGLISH DESCRIPTION | DESCRIPTION FRANCAISE | NOTE |
|------|----|------------|-----------------------|-----------------------|------|
| 1 | 1 | 466989 | HYDRAULIC VALVE | VALVE HYDRAULIQUE | |
| 2 | 4 | 451260 | 6 M.JIC - 6 M.ORB 90° | 6 M.JIC - 6 M.ORB 90° | |



24 - FREIN HYDRAULIQUE / HYDRAULIC BRAKE (1/3)

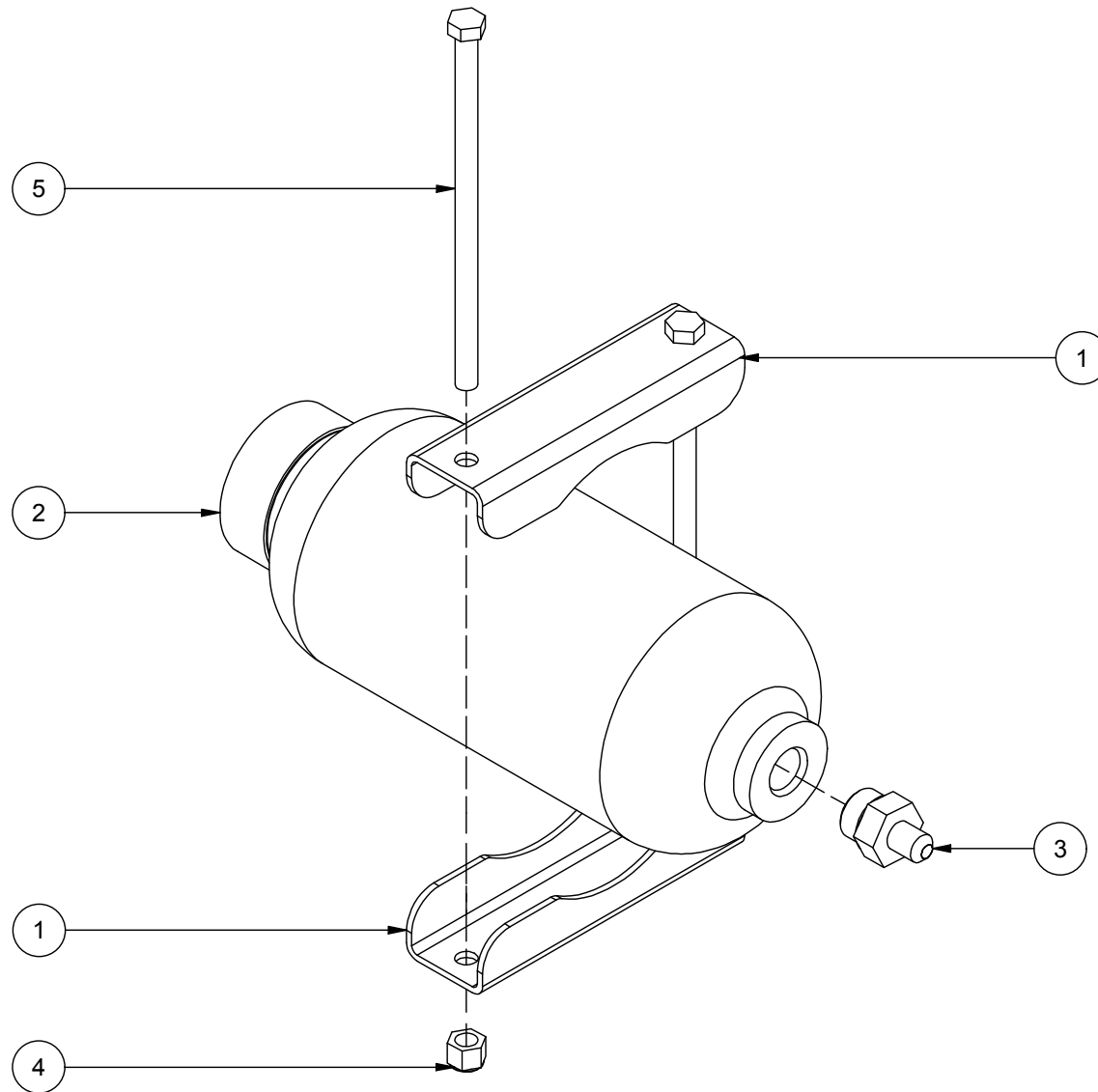


24 - FREIN HYDRAULIQUE / HYDRAULIC BRAKE (1/3)



| ITEM | QT | PART/PIECE | ENGLISH DESCRIPTION | DESCRIPTION FRANCAISE | NOTE |
|------|----|----------------------|---|--|------|
| 1 | 2 | 223008 | ACCUMULATOR FIXING BRACKET | BRACKET DE SRAAGE DE L'ACCUMULATEUR | |
| 2 | 1 | 470134 | ACCUMULATOR | ACCUMULATEUR | |
| 3 | 1 | 451174 | 6 M.JIC - 12 M.ORB | 6 M.JIC - 12 M.ORB | |
| 4 | 2 | 501032 | HEX NYLON LOCKNUT GR5 3/8-16 Z | ÉCROU NYLON IND HEX GR5 3/8-16 Z | |
| 5 | 2 | 500114 | HEX BOLT GR5 3/8-16 X 7 | BOULON HEX GR5 3/8-16 X 7 | |
| 6 | 1 | 451359 | 82505-6-6 ADAP. MALE JIC/MALE BSPP | 82505-6-6 ADAP. MALE JIC/MALE BSPP | |
| 7 | 2 | 506051 | NYLON NUT M8 X 1.25 | ECROU NYLON M8 X 1.25 | |
| 8 | 1 | 452000 | 1/2 QUICK COUPLER F | RACCORD RAPIDE 1/2 M | |
| 9 | 1 | 452001 | QUICK COUPLER 1/2 F | RACCORD RAPIDE 1/2 F | |
| 10 | 1 | 322630 | HOSE CLAMP | SUPPORT DE HOSE | |
| 11 | 2 | 506122 | HEX. BOLT M8 X 1.25 X 85mm CL8.8 | BOULON HEX. M8 X 1.25 X 85mm CL8.8 | |
| 12 | 1 | 506120 | HEX SOCKET HEAD CAP SCREW M5 X 0.8 X 30 | VIS HEX CREUX TÊTE CYLINDRIQUE M5 X 0.8 X 30 | |
| 13 | 1 | 506048 | NYLON NUT M4 | ECROU NYLON M4 | |
| 14 | 1 | 325218 | STEEL CABLE ASSEMBLY HOOK AND PIN | CABLE D'ACIER ASSEMBLÉ CROCHET ET GOUPILLE | |
| 15.1 | 2 | 451173 | 6 M.JIC - 10 M.ORB | 6 M.JIC - 10 M.ORB | |
| 15.2 | 1 | 465069 | BRAKE BREAKAWAY VALVE | VALVE DE RUPTURE FREIN | |
| 15.3 | 1 | 451262 | 6 M.JIC - 10 M.ORB 90° | 6 M.JIC - 10 M.ORB 90° | |
| 15.4 | 1 | 234151 | RETAINING WASHER SAFETY BRAKE | RONDELLE DE RETENUE FREIN DE SECURITE | |
| 15.5 | 1 | 079-HYD-001 | SPACER FOR HYD BRAKE EMERGENCY VALVE | ESPACEUR POUR VALVE D'URGENCE HYD BRAKE | |
| 15.6 | 1 | 502044 | LOCK WASHER 1/4 | RONDELLE DE BLOCAGE 1/4 | |
| 15.7 | 1 | 506110 | HEX SOCKET HEAD CAP SCREW M6 X 1.00 X 20 MM | VIS HEX CREUX TÊTE CYLINDRIQUE M6 X 1.00 X 20 MM | |
| 16 | 2 | 506039 | NYLON NUT M10 X 1.5 | ECROU NYLON M10 X 1.5 | |
| 17 | 1 | 470143 | HOSE SUPPORT | SUPPORT A BOYAU | |
| 18 | 4 | 234107 | BRAKE OPTION PLATE | FERRURE | |
| 19 | 2 | 467345 | HYDRAULIC CYLINDER | CYLINDRE HYDRAULIQUE | |
| 20 | 4 | 506103 | HEX. BOLT M12 X 1.75 X 100mm CL8.8 | BOULON HEX. M12 X 1.75 X 100mm CL8.8 | |
| 21 | 8 | 506040 | NYLON NUT M12 X 1.75 | ECROU NYLON M12 X 1.75 | |
| 22 | 4 | 506095 | HEX. BOLT M12 X 1.75 X 50mm CL8.8 | BOULON HEX. M12 X 1.75 X 50mm CL8.8 | |
| 23 | 8 | 506012 | HEX. BOLT M16 X 2 X 40mm CL8.8 | BOULON HEX. M16 X 2 X 40mm CL8.8 | |
| 24 | 8 | 506037 | NYLON NUT M16 X 2 | ECROU NYLON M16 X 2 | |
| 25 | 4 | 502006 | FLAT WASHER 1/2 Z-SAE | RONDELLE PLATE 1/2 Z-SAE | |
| 26 | 2 | 467344 | HYDRAULIC CYLINDER | CYLINDRE HYDRAULIQUE | |
| 27 | 1 | 079-HYD-004 | CABLE GUIDE FOR HYD EMERGENCY BRAKE VALVE | PASSE CABLE VALVE FREIN HYD URGENCE | |
| 28 | 2 | 506009-4 | HEX. BOLT M10 X 1.5 X 35mm CL8.8 | BOULON HEX. M10 X 1.5 X 35mm CL8.8 | |
| 29.1 | 1 | 452506 | BRAKE QUICK COUPLING | RACCORD RAPIDE POUR FREIN | |
| 29.2 | 1 | Viens avec 452506 | VF 3-8 GAS F CAP | BOUCHON DE VF 3-8 GAS F | |

24 - FREIN HYDRAULIQUE / HYDRAULIC BRAKE (2/3)

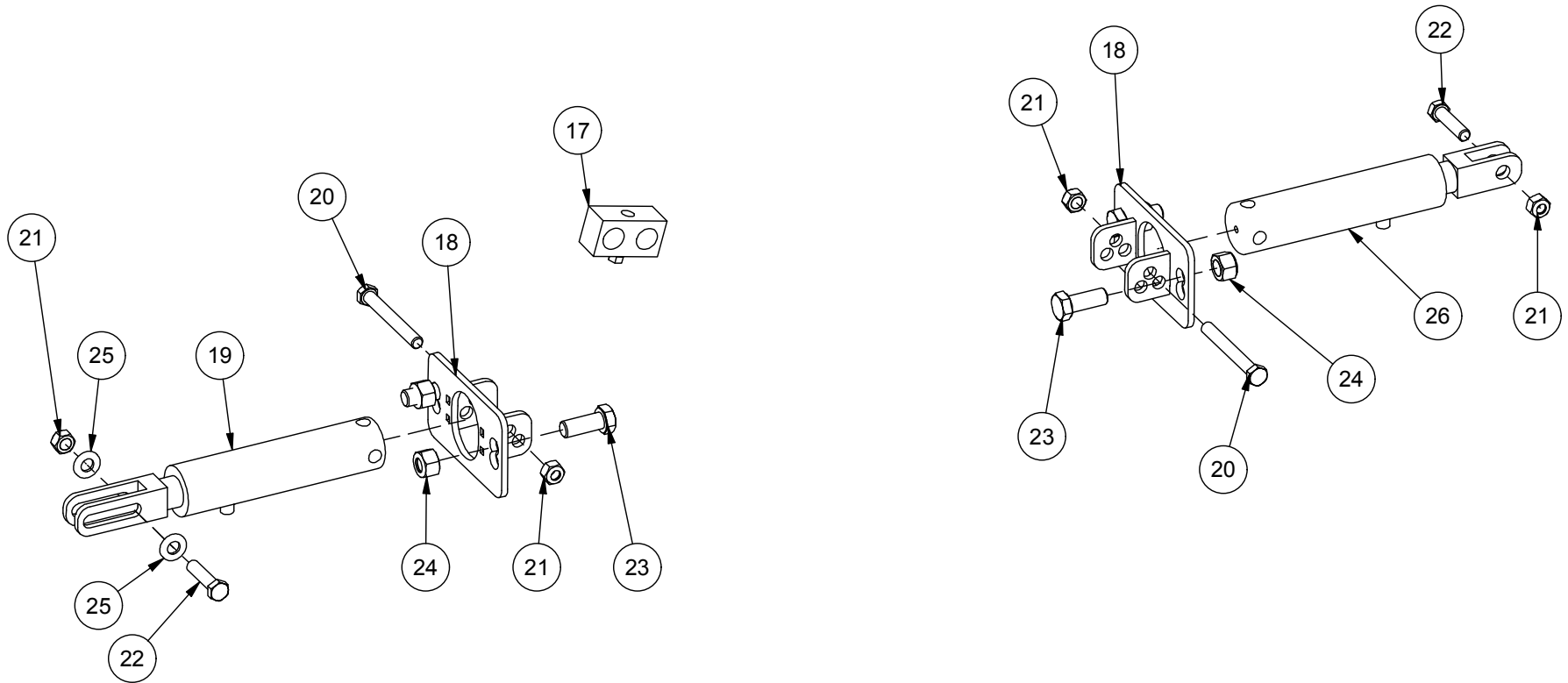


24 - FREIN HYDRAULIQUE / HYDRAULIC BRAKE (2/3)



| ITEM | QT | PART/PIECE | ENGLISH DESCRIPTION | DESCRIPTION FRANCAISE | NOTE |
|------|----|----------------------|---|--|------|
| 1 | 2 | 223008 | ACCUMULATOR FIXING BRACKET | BRACKET DE SRAAGE DE L'ACCUMULATEUR | |
| 2 | 1 | 470134 | ACCUMULATOR | ACCUMULATEUR | |
| 3 | 1 | 451174 | 6 M.JIC - 12 M.ORB | 6 M.JIC - 12 M.ORB | |
| 4 | 2 | 501032 | HEX NYLON LOCKNUT GR5 3/8-16 Z | ÉCROU NYLON IND HEX GR5 3/8-16 Z | |
| 5 | 2 | 500114 | HEX BOLT GR5 3/8-16 X 7 | BOULON HEX GR5 3/8-16 X 7 | |
| 6 | 1 | 451359 | 82505-6-6 ADAP. MALE JIC/MALE BSPP | 82505-6-6 ADAP. MALE JIC/MALE BSPP | |
| 7 | 2 | 506051 | NYLON NUT M8 X 1.25 | ECROU NYLON M8 X 1.25 | |
| 8 | 1 | 452000 | 1/2 QUICK COUPLER F | RACCORD RAPIDE 1/2 M | |
| 9 | 1 | 452001 | QUICK COUPLER 1/2 F | RACCORD RAPIDE 1/2 F | |
| 10 | 1 | 322630 | HOSE CLAMP | SUPPORT DE HOSE | |
| 11 | 2 | 506122 | HEX. BOLT M8 X 1.25 X 85mm CL8.8 | BOULON HEX. M8 X 1.25 X 85mm CL8.8 | |
| 12 | 1 | 506120 | HEX SOCKET HEAD CAP SCREW M5 X 0.8 X 30 | VIS HEX CREUX TÊTE CYLINDRIQUE M5 X 0.8 X 30 | |
| 13 | 1 | 506048 | NYLON NUT M4 | ECROU NYLON M4 | |
| 14 | 1 | 325218 | STEEL CABLE ASSEMBLY HOOK AND PIN | CABLE D'ACIER ASSEMBLÉ CROCHET ET GOUPILLE | |
| 15.1 | 2 | 451173 | 6 M.JIC - 10 M.ORB | 6 M.JIC - 10 M.ORB | |
| 15.2 | 1 | 465069 | BRAKE BREAKAWAY VALVE | VALVE DE RUPTURE FREIN | |
| 15.3 | 1 | 451262 | 6 M.JIC - 10 M.ORB 90° | 6 M.JIC - 10 M.ORB 90° | |
| 15.4 | 1 | 234151 | RETAINING WASHER SAFETY BRAKE | RONDELLE DE RETENUE FREIN DE SECURITE | |
| 15.5 | 1 | 079-HYD-001 | SPACER FOR HYD BRAKE EMERGENCY VALVE | ESPACEUR POUR VALVE D'URGENCE HYD BRAKE | |
| 15.6 | 1 | 502044 | LOCK WASHER 1/4 | RONDELLE DE BLOCAGE 1/4 | |
| 15.7 | 1 | 506110 | HEX SOCKET HEAD CAP SCREW M6 X 1.00 X 20 MM | VIS HEX CREUX TÊTE CYLINDRIQUE M6 X 1.00 X 20 MM | |
| 16 | 2 | 506039 | NYLON NUT M10 X 1.5 | ECROU NYLON M10 X 1.5 | |
| 17 | 1 | 470143 | HOSE SUPPORT | SUPPORT A BOYAU | |
| 18 | 4 | 234107 | BRAKE OPTION PLATE | FERRURE | |
| 19 | 2 | 467345 | HYDRAULIC CYLINDER | CYLINDRE HYDRAULIQUE | |
| 20 | 4 | 506103 | HEX. BOLT M12 X 1.75 X 100mm CL8.8 | BOULON HEX. M12 X 1.75 X 100mm CL8.8 | |
| 21 | 8 | 506040 | NYLON NUT M12 X 1.75 | ECROU NYLON M12 X 1.75 | |
| 22 | 4 | 506095 | HEX. BOLT M12 X 1.75 X 50mm CL8.8 | BOULON HEX. M12 X 1.75 X 50mm CL8.8 | |
| 23 | 8 | 506012 | HEX. BOLT M16 X 2 X 40mm CL8.8 | BOULON HEX. M16 X 2 X 40mm CL8.8 | |
| 24 | 8 | 506037 | NYLON NUT M16 X 2 | ECROU NYLON M16 X 2 | |
| 25 | 4 | 502006 | FLAT WASHER 1/2 Z-SAE | RONDELLE PLATE 1/2 Z-SAE | |
| 26 | 2 | 467344 | HYDRAULIC CYLINDER | CYLINDRE HYDRAULIQUE | |
| 27 | 1 | 079-HYD-004 | CABLE GUIDE FOR HYD EMERGENCY BRAKE VALVE | PASSE CABLE VALVE FREIN HYD URGENCE | |
| 28 | 2 | 506009-4 | HEX. BOLT M10 X 1.5 X 35mm CL8.8 | BOULON HEX. M10 X 1.5 X 35mm CL8.8 | |
| 29.1 | 1 | 452506 | BRAKE QUICK COUPLING | RACCORD RAPIDE POUR FREIN | |
| 29.2 | 1 | Viens avec 452506 | VF 3-8 GAS F CAP | BOUCHON DE VF 3-8 GAS F | |

24 - FREIN HYDRAULIQUE / HYDRAULIC BRAKE (3/3)



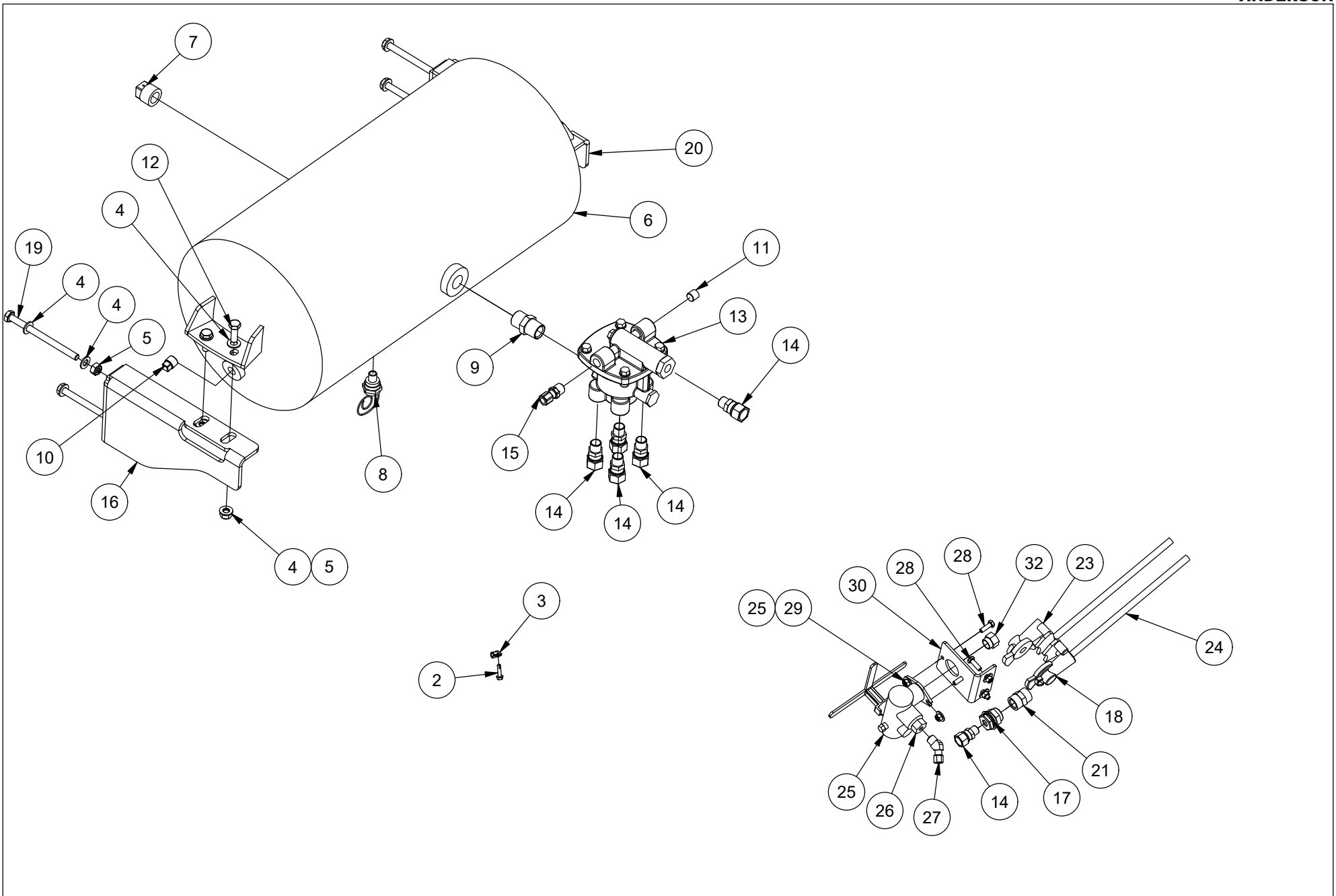
24 - FREIN HYDRAULIQUE / HYDRAULIC BRAKE (3/3)



ANDERSON

| ITEM | QT | PART/PIECE | ENGLISH DESCRIPTION | DESCRIPTION FRANCAISE | NOTE |
|------|----|----------------------|---|--|------|
| 1 | 2 | 223008 | ACCUMULATOR FIXING BRACKET | BRACKET DE SRAAGE DE L'ACCUMULATEUR | |
| 2 | 1 | 470134 | ACCUMULATOR | ACCUMULATEUR | |
| 3 | 1 | 451174 | 6 M.JIC - 12 M.ORB | 6 M.JIC - 12 M.ORB | |
| 4 | 2 | 501032 | HEX NYLON LOCKNUT GR5 3/8-16 Z | ÉCROU NYLON IND HEX GR5 3/8-16 Z | |
| 5 | 2 | 500114 | HEX BOLT GR5 3/8-16 X 7 | BOULON HEX GR5 3/8-16 X 7 | |
| 6 | 1 | 451359 | 82505-6-6 ADAP. MALE JIC/MALE BSPP | 82505-6-6 ADAP. MALE JIC/MALE BSPP | |
| 7 | 2 | 506051 | NYLON NUT M8 X 1.25 | ECROU NYLON M8 X 1.25 | |
| 8 | 1 | 452000 | 1/2 QUICK COUPLER F | RACCORD RAPIDE 1/2 M | |
| 9 | 1 | 452001 | QUICK COUPLER 1/2 F | RACCORD RAPIDE 1/2 F | |
| 10 | 1 | 322630 | HOSE CLAMP | SUPPORT DE HOSE | |
| 11 | 2 | 506122 | HEX. BOLT M8 X 1.25 X 85mm CL8.8 | BOULON HEX. M8 X 1.25 X 85mm CL8.8 | |
| 12 | 1 | 506120 | HEX SOCKET HEAD CAP SCREW M5 X 0.8 X 30 | VIS HEX CREUX TÊTE CYLINDRIQUE M5 X 0.8 X 30 | |
| 13 | 1 | 506048 | NYLON NUT M4 | ECROU NYLON M4 | |
| 14 | 1 | 325218 | STEEL CABLE ASSEMBLY HOOK AND PIN | CABLE D'ACIER ASSEMBLÉ CROCHET ET GOUPILLE | |
| 15.1 | 2 | 451173 | 6 M.JIC - 10 M.ORB | 6 M.JIC - 10 M.ORB | |
| 15.2 | 1 | 465069 | BRAKE BREAKAWAY VALVE | VALVE DE RUPTURE FREIN | |
| 15.3 | 1 | 451262 | 6 M.JIC - 10 M.ORB 90° | 6 M.JIC - 10 M.ORB 90° | |
| 15.4 | 1 | 234151 | RETAINING WASHER SAFETY BRAKE | RONDELLE DE RETENUE FREIN DE SECURITE | |
| 15.5 | 1 | 079-HYD-001 | SPACER FOR HYD BRAKE EMERGENCY VALVE | ESPACEUR POUR VALVE D'URGENCE HYD BRAKE | |
| 15.6 | 1 | 502044 | LOCK WASHER 1/4 | RONDELLE DE BLOCAGE 1/4 | |
| 15.7 | 1 | 506110 | HEX SOCKET HEAD CAP SCREW M6 X 1.00 X 20 MM | VIS HEX CREUX TÊTE CYLINDRIQUE M6 X 1.00 X 20 MM | |
| 16 | 2 | 506039 | NYLON NUT M10 X 1.5 | ECROU NYLON M10 X 1.5 | |
| 17 | 1 | 470143 | HOSE SUPPORT | SUPPORT A BOYAU | |
| 18 | 4 | 234107 | BRAKE OPTION PLATE | FERRURE | |
| 19 | 2 | 467345 | HYDRAULIC CYLINDER | CYLINDRE HYDRAULIQUE | |
| 20 | 4 | 506103 | HEX. BOLT M12 X 1.75 X 100mm CL8.8 | BOULON HEX. M12 X 1.75 X 100mm CL8.8 | |
| 21 | 8 | 506040 | NYLON NUT M12 X 1.75 | ECROU NYLON M12 X 1.75 | |
| 22 | 4 | 506095 | HEX. BOLT M12 X 1.75 X 50mm CL8.8 | BOULON HEX. M12 X 1.75 X 50mm CL8.8 | |
| 23 | 8 | 506012 | HEX. BOLT M16 X 2 X 40mm CL8.8 | BOULON HEX. M16 X 2 X 40mm CL8.8 | |
| 24 | 8 | 506037 | NYLON NUT M16 X 2 | ECROU NYLON M16 X 2 | |
| 25 | 4 | 502006 | FLAT WASHER 1/2 Z-SAE | RONDELLE PLATE 1/2 Z-SAE | |
| 26 | 2 | 467344 | HYDRAULIC CYLINDER | CYLINDRE HYDRAULIQUE | |
| 27 | 1 | 079-HYD-004 | CABLE GUIDE FOR HYD EMERGENCY BRAKE VALVE | PASSE CABLE VALVE FREIN HYD URGENCE | |
| 28 | 2 | 506009-4 | HEX. BOLT M10 X 1.5 X 35mm CL8.8 | BOULON HEX. M10 X 1.5 X 35mm CL8.8 | |
| 29.1 | 1 | 452506 | BRAKE QUICK COUPLING | RACCORD RAPIDE POUR FREIN | |
| 29.2 | 1 | Viens avec 452506 | VF 3-8 GAS F CAP | BOUCHON DE VF 3-8 GAS F | |

25 - FREIN À AIR / AIR BRAKE



25 - FREIN À AIR / AIR BRAKE

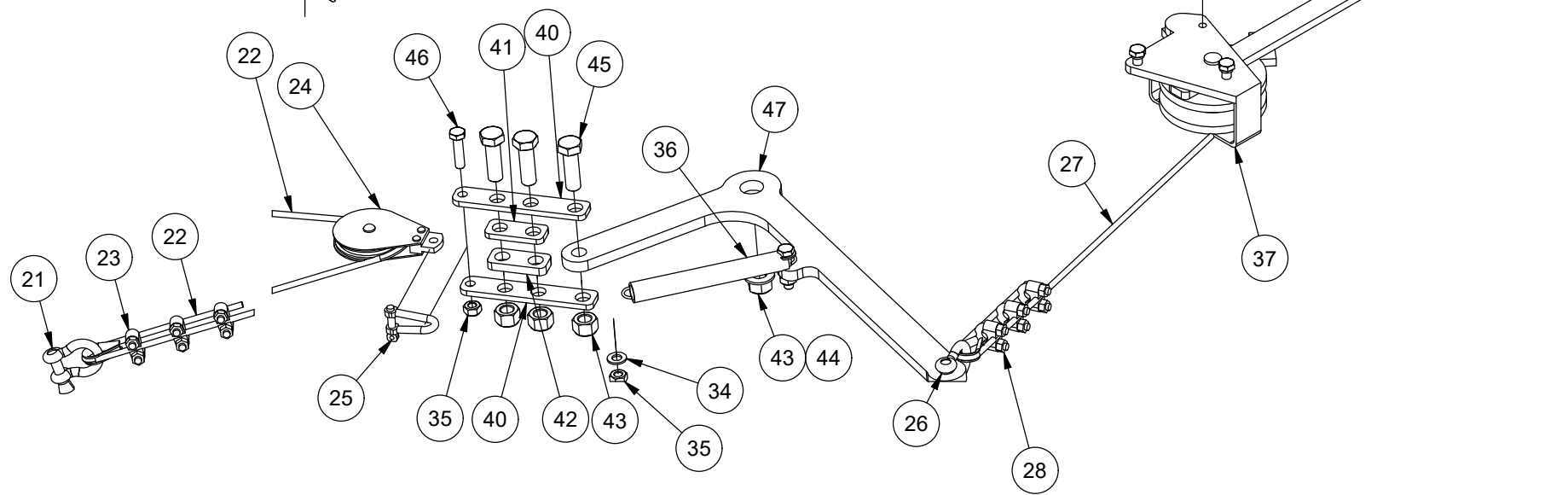
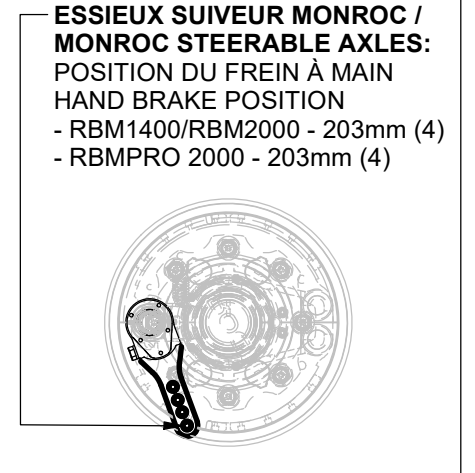
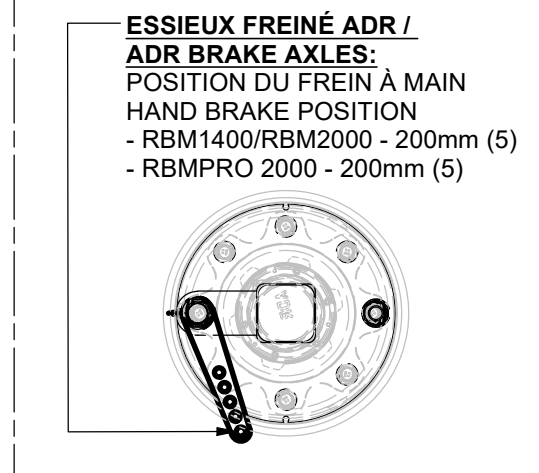
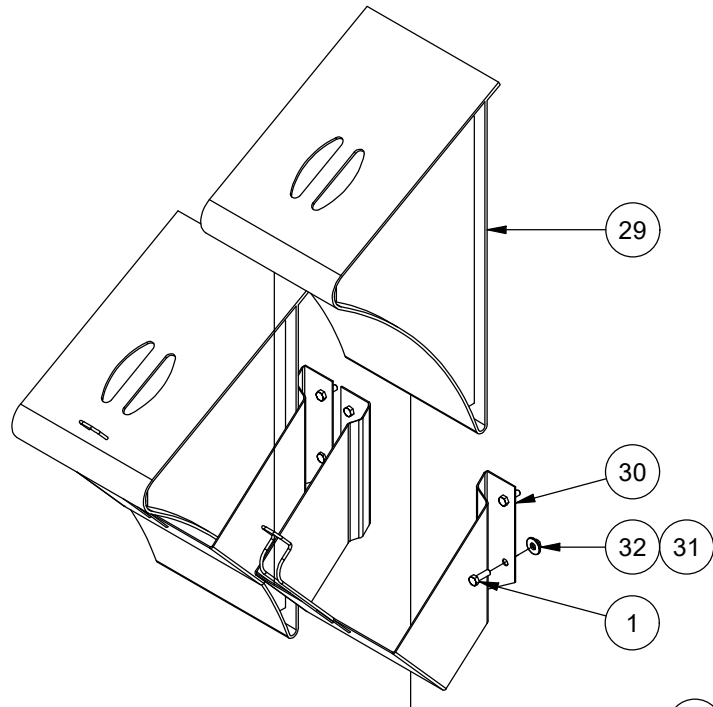


| ITEM | QT | PART/PIECE | ENGLISH DESCRIPTION | DESCRIPTION FRANCAISE | NOTE |
|------|----|---------------|----------------------------------|------------------------------------|------|
| 1 | 4 | 325064 | AIR BRAKE BOOSTER | CHAMBRE À AIR ASSEMBÉ FREIN | |
| 2 | 1 | 507040 | SELF-DRILLING SCREW | VIS AUTO-PERCEUSE | |
| 3 | 1 | 320068-1 | CLAMP | SERRE CABLE | |
| 4 | 16 | 502019 | FLAT WASHER M10 Z | RONDELLE PLATE M10 Z | |
| 5 | 8 | 506039 | NYLON NUT M10 X 1.5 | ECROU NYLON M10 X 1.5 | |
| 6 | 1 | 325075 | AIR TANK | RÉSERVOIR À AIR | |
| 7 | 1 | 450074 | PLUG 3/4 | BOUCHON 3/4 | |
| 8 | 1 | 325079 | DRAIN VALVE | SOUPAPE DE PURGE | |
| 9 | 1 | 450011 | M NPT 12 - M NPT 12 | M NPT 12 - M NPT 12 | |
| 10 | 2 | 450072 | PLUG 3/8 | BOUCHON 3/8 | |
| 11 | 1 | 450063 | HYDRAULIC FITTING | ADAPTEUR HYDRAULIQUE | |
| 12 | 4 | 506009-2 | HEX. BOLT M10 X 1.5 X 30mm CL8.8 | BOULON HEX. M10 X 1.5 X 30mm CL8.8 | |
| 13 | 1 | 325481 | AIR BRAKE RELAY-EMERGENCY VALVE | VALVE A AIR RELAIS-URGENCE | |
| 14 | 10 | 325482 | AIR CONNECTOR | CONNECTEUR À L'AIR | |
| 15 | 1 | 325070 | AIR FITTING | ADAPTEUR À AIR | |
| 16 | 1 | 079-FRM-142 | AIR TANK SUPPORT, LEFT | SUPPORT RÉSERVOIR À AIR GAUCHE | |
| 17 | 1 | 325073 | AIR FITTING | ADAPTEUR À AIR | |
| 18 | 1 | 325067 | RED CONNECTOR | CONNECTEUR ROUGE | |
| 19 | 4 | 506066 | HEX BOLT M10 X 1,5 - 140 CL8.8 Z | BOULON HEX M10 X 1,5 - 140 CL8.8 Z | |
| 20 | 1 | 079-FRM-142-S | AIR TANK SUPPORT, RIGHT | SUPPORT RÉSERVOIR À AIR DROIT | |
| 21 | 1 | 450108 | HYDRAULIC FITTING | ADAPTEUR HYDRAULIQUE | |
| 23 | 1 | 325066M | YELLOW CONNECTOR | CONNECTEUR JAUNE | |
| 24 | 1 | 325068 | AIR HOSE | TUBE À AIR | |
| 25 | 1 | 325163 | MANUAL LOAD VALVE | VALVE MANUELLE DE CHARGEMENT | |
| 26 | 1 | 451449 | HYDRAULIC FITTING | ADAPTEUR HYDRAULIQUE | |
| 27 | 1 | 325072 | AIR FITTING | ADAPTEUR À AIR | |
| 28 | 4 | 506001 | HEX. BOLT M8 X 1.25 X 25mm CL8.8 | BOULON HEX. M8 X 1.25 X 25mm CL8.8 | |
| 29 | 4 | 506051 | NYLON NUT M8 X 1.25 | ECROU NYLON M8 X 1.25 | |
| 30 | 1 | 079-FRM-302 | VALVE SUPPORT | SUPPORT DE VALVE | |
| 32 | 1 | 451463 | HYDRAULIC FITTING | ADAPTEUR HYDRAULIQUE | |
| 34 | 1 | 450022 | 6 M.NPT - 4 F.NPT | 6 M.NPT - 4 F.NPT | |
| 35 | 1 | 325485 | PNEUMATIC TEST POINT | PRISE DE PRESSION PNEUMATIQUE | |

26 - FREIN À MAIN / HAND BRAKE



ANDERSON

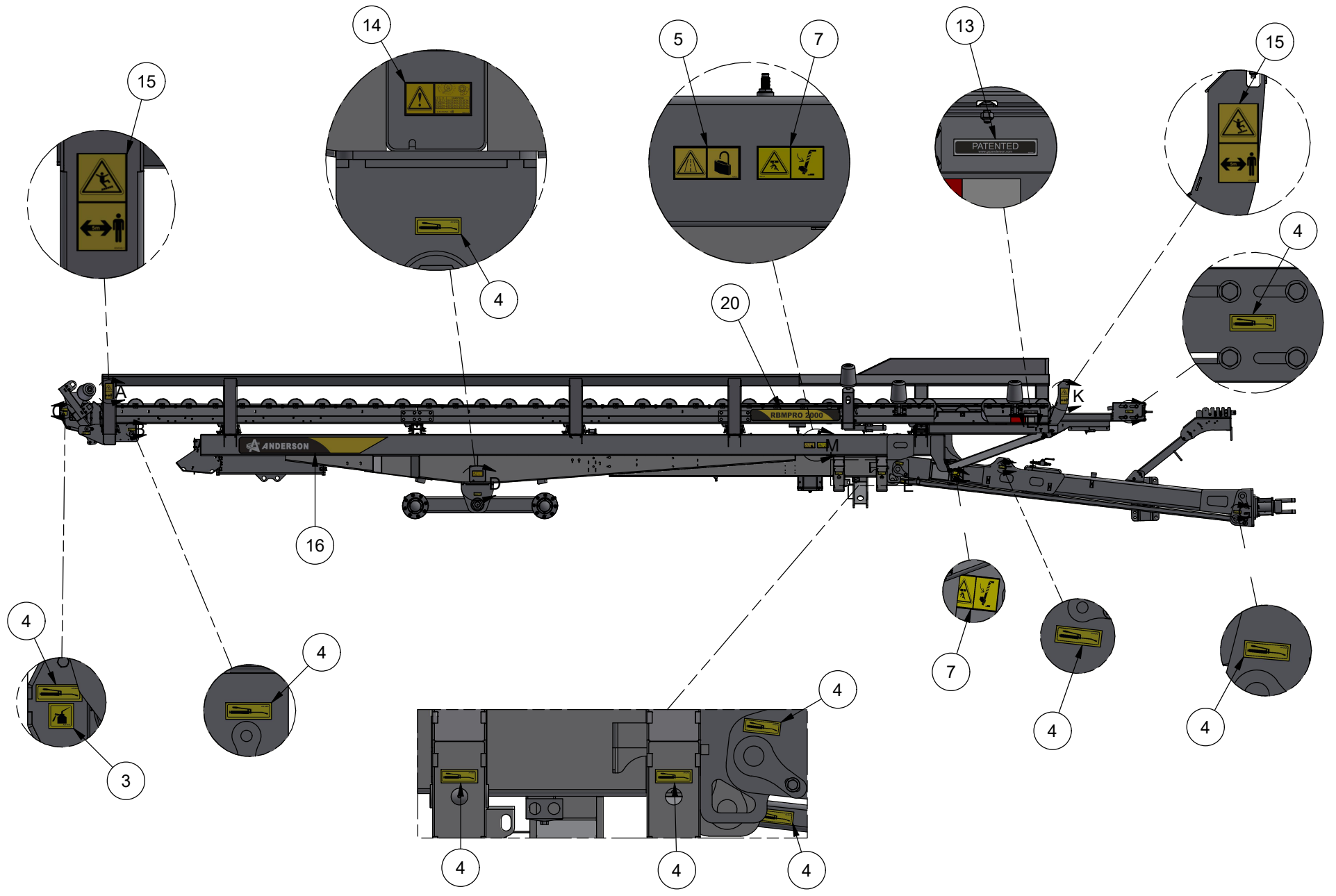


26 - FREIN À MAIN / HAND BRAKE



| ITEM | QT | PART/PIECE | ENGLISH DESCRIPTION | DESCRIPTION FRANCAISE | NOTE |
|------|----|-------------|--|--------------------------------------|------|
| 1 | 8 | 506124 | HEX. BOLT M6 X 1 X 20mm CL8.8 | BOULON HEX. M6 X 1 X 20mm CL8.8 | |
| 21 | 2 | 302511 | ANCHOR SHACKLE 3/8" HOT GALV. | MANILLE D'ANCRAGE 3/8" GALV. À CHAUD | |
| 22 | 1 | 302597 | LONG CABLE HAND BRAKE RBM | CABLE LONG FREIN À MAIN RBM | |
| 23 | 2 | 302506 | ROPE CLIPS AND THIMBLES (WIRE 1/4") | ENSEMBLE D'ATTACHES POUR CÂBLE 1/4" | |
| 24 | 1 | 325165 | PULLEY | POULIE | |
| 25 | 1 | 302516 | TWISTED SHACKLE 5/16 | MANILLE 5/16 TOURNÉ 90 DEGRÉS | |
| 26 | 1 | 302511 | ANCHOR SHACKLE 3/8" HOT GALV. | MANILLE D'ANCRAGE 3/8" GALV. À CHAUD | |
| 27 | 1 | 302597 | SHORT CABLE HAND BRAKE RBM | CABLE COURT FREIN À MAIN RBM | |
| 28 | 1 | 302506 | ROPE CLIPS AND THIMBLES (WIRE 1/4") | ENSEMBLE D'ATTACHES POUR CÂBLE 1/4" | |
| 29 | 2 | 325160 | WHEEL SHOCK | CALE DE ROUE | |
| 30 | 2 | 325161 | WHEEL SHOCK HOLDER | SUPPORT CALE DE ROUE | |
| 31 | 8 | 502002 | FLAT WASHER 1/4 Z | RONDELLE PLATE 1/4 Z | |
| 32 | 8 | 506050 | HEX NUT M6 X 1 | ECROU NYLON M6 X 1 | |
| 33 | 1 | 404199 | CAUTION ROAD BRAKE STICKER | DECALQUE ATTENTION FREIN-ROUTE | |
| 34 | 2 | 502019 | FLAT WASHER M10 Z | RONDELLE PLATE M10 Z | |
| 35 | 3 | 506039 | NYLON NUT M10 X 1.5 | ECROU NYLON M10 X 1.5 | |
| 36 | 1 | 304047 | SPRING | RESSORT | |
| 37 | 1 | 325162 | HAND BRAKE | FREIN À MAIN | |
| 38 | 3 | 506009 | HEX. BOLT M10 X 1.5 X 20mm CL8.8 | BOULON HEX. M10 X 1.5 X 20mm CL8.8 | |
| 39 | 3 | 502045 | LOCK WASHER 3/8 | RONDELLE DE BLOCAGE 3/8 | |
| 40 | 2 | 245177 | LINK | PLAQUE DE LIEN | |
| 41 | 1 | 245237 | SPACER 1/4" THICK FOR HAND BRAKE LEVER | ESPACEUR 1/4" FREIN A MAIN | |
| 42 | 1 | 245238 | SPACER 3/8 THICK FOR HAND BRAKE | ESPACEUR 3/8 POUR FREIN A MAIN | |
| 43 | 4 | 506037 | NYLON NUT M16 X 2 | ECROU NYLON M16 X 2 | |
| 44 | 1 | 502008-1 | FLAT WASHER 5/8 Z-SAE | RONDELLE PLATE 5/8 Z-SAE | |
| 45 | 3 | 506076 | HEX. BOLT M16 X 2 X 50mm CL8.8 | BOULON HEX. M16 X 2 X 50mm CL8.8 | |
| 46 | 1 | 506009-4 | HEX. BOLT M10 X 1.5 X 35mm CL8.8 | BOULON HEX. M10 X 1.5 X 35mm CL8.8 | |
| 47 | 1 | 079-FRM-219 | HAND BRAKE LEVER | LEVIER DU FREIN A MAIN | |

27 - DÉCALQUES / DECALS



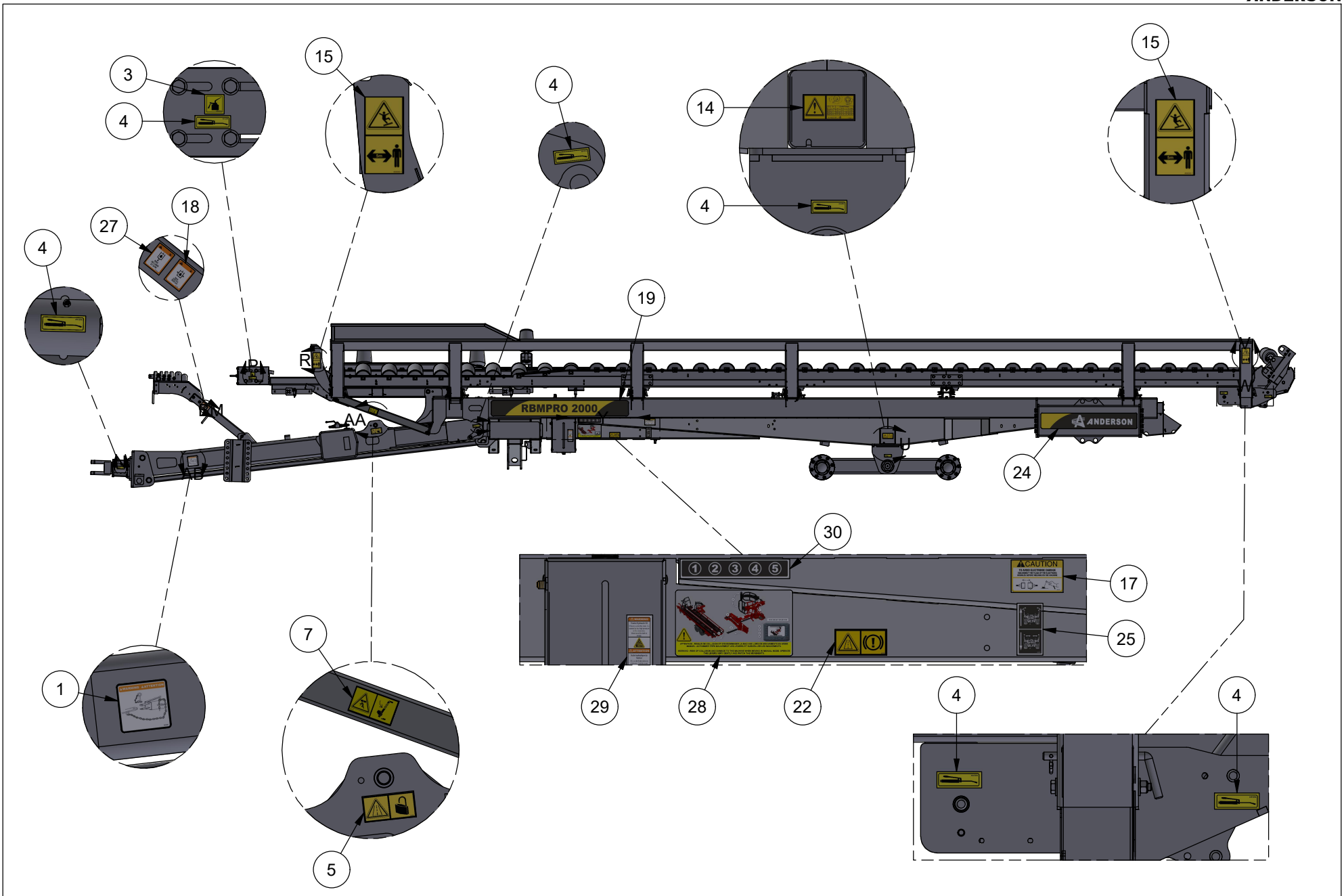
27 - DÉCALQUES / DECALS



ANDERSON

| ITEM | QT | PART/PIECE | ENGLISH DESCRIPTION | DESCRIPTION FRANCAISE | NOTE |
|------|----|------------|---|---|------|
| 3 | 3 | 404040 | OIL CHANGE STICKER | DECALQUE CHANGEMENT D'HUILE | |
| 4 | 67 | 404002 | LUBRICATION STICKER | DECALQUE GRAISSAGE | |
| 5 | 2 | 404065 | WARNING LOCK ON ROAD | DÉCALQUE ATTENTION VERROUILLER SUR LA ROUTE | |
| 7 | 4 | 404163 | BE CAREFUL PUT SAFETY KICKSTAND STICKER | DECALQUE ATTENTION METTRE BEQUILLE | |
| 13 | 1 | 404395 | STICKER PATENTED | DECALQUE BREVETÉ | |
| 14 | 2 | 404042-3 | CHECK WHEEL NUTS STICKER | DECALQUE VÉRIFIER ÉCROUS DE ROUE | |
| 15 | 4 | 404049-1 | CHECK OUT THE FOREDECK STICKER | DECALQUE ATTENTION PONT ROULANT | |
| 16 | 1 | 404327 | STICKER RBM PRO 2000 REAR LEFT | DECALQUE RBM PRO 2000 AR. DROIT | |
| 20 | 1 | 404329 | STICKER RBM PRO 2000 FRONT RIGHT | DECALQUE RBM PRO 2000 AV. DROIT | |

27 - DÉCALQUES / DECALS

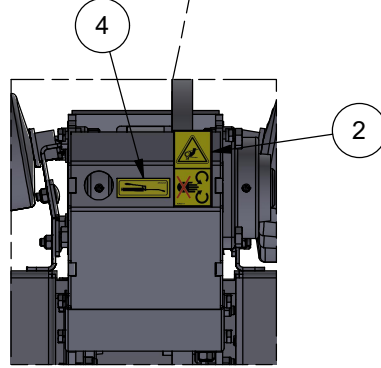
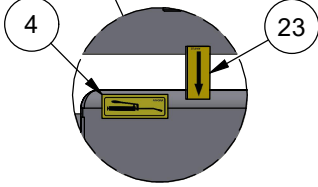
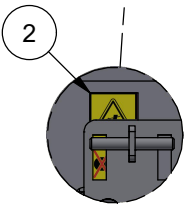
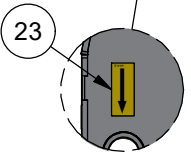
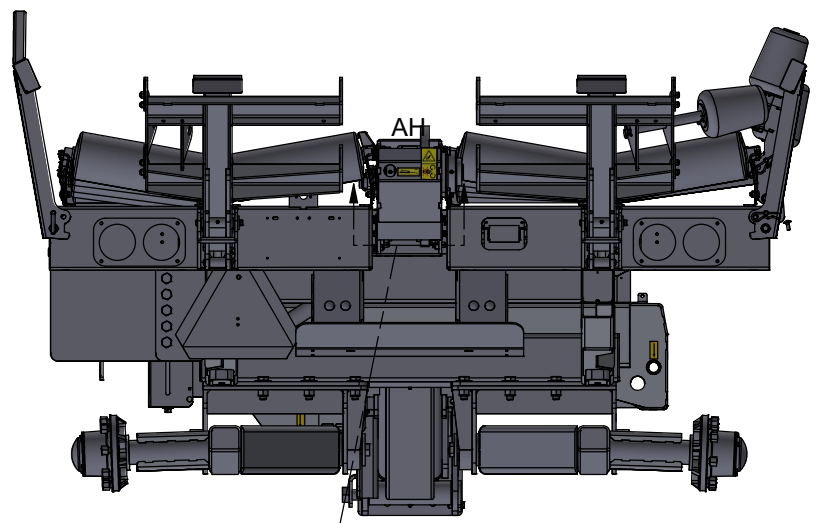
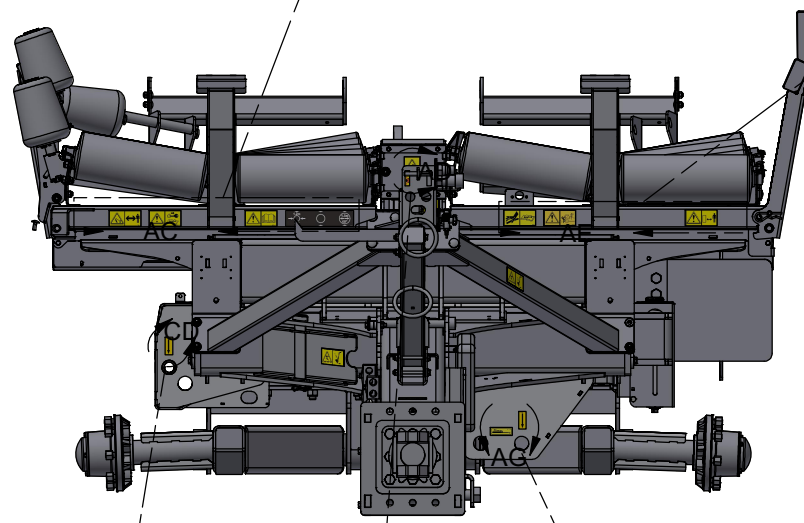
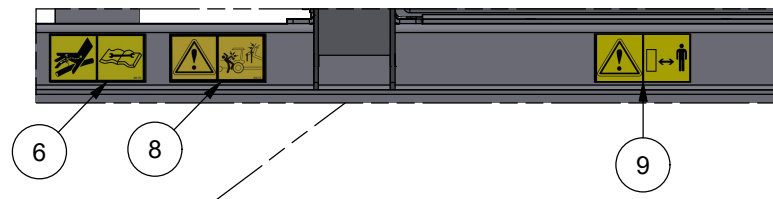
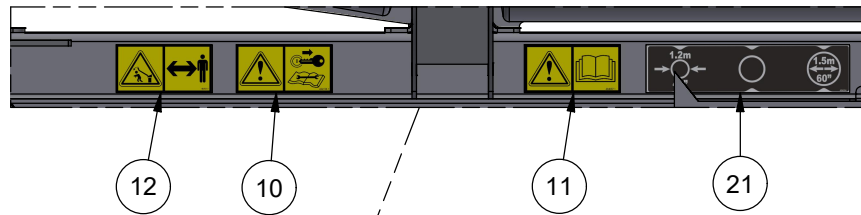


27 - DÉCALQUES / DECALS



| ITEM | QT | PART/PIECE | ENGLISH DESCRIPTION | DESCRIPTION FRANCAISE | NOTE |
|------|----|------------|--|---|------|
| 1 | 1 | 404058 | CHAIN WARNING DECAL | DECALQUE ATTENTION CHAINE | |
| 3 | 3 | 404040 | OIL CHANGE STICKER | DECALQUE CHANGEMENT D'HUILE | |
| 4 | 67 | 404002 | LUBRICATION STICKER | DECALQUE GRAISSAGE | |
| 5 | 2 | 404065 | WARNING LOCK ON ROAD | DÉCALQUE ATTENTION VERROUILLER SUR LA ROUTE | |
| 7 | 4 | 404163 | BE CAREFUL PUT SAFETY KICKSTAND STICKER | DECALQUE ATTENTION METTRE BEQUILLE | |
| 14 | 2 | 404042-3 | CHECK WHEEL NUTS STICKER | DECALQUE VÉRIFIER ÉCROUS DE ROUE | |
| 15 | 4 | 404049-1 | CHECK OUT THE FOREDECK STICKER | DECALQUE ATTENTION PONT ROULANT | |
| 17 | 1 | 407018 | CAUTION WELDING STICKER | DECALQUE ATTENTION SOUDURE | |
| 18 | 1 | 407006 | STICKER3000PSI MAX | DECALQUE 3000PSI MAX | |
| 19 | 1 | 404328 | STICKER RBM PRO 2000 FRONT LEFT | DECALQUE RBM PRO 2000 AV. GAUCHE | |
| 22 | 1 | 404199 | CAUTION ROAD BRAKE STICKER | DECALQUE ATTENTION FREIN-ROUTE | |
| 24 | 1 | 404369 | STICKER RBM PRO 2000 REAR LEFT | DECALQUE RBM PRO 2000 AR. GAUCHE | |
| 25 | 1 | 404366 | CAUTION LOAD. SECURITY SYST. OR CONVEYOR | DECALQUE SYST. CONTENTION OU CONVOYEUR | |
| 27 | 1 | 407035 | STICKER 21GPM MAX | DECALQUE 21GPM MAX | |
| 28 | 1 | 404333-1 | STICKER RBMPRO 5 ARMS 2.0 VALVE (2/2) | DECALQUE RBMPRO VALVE 5 BRAS 2.0 (2/2) | |
| 29 | 1 | 404390 | OIL TANK STICKER | DECALQUE RESERVOIR D'HUILE | |
| 30 | 1 | 404332-1 | STICKER RBMPRO 5 ARMS 2.0 VALVE (1/2) | DECALQUE RBMPRO VALVE 5 BRAS 2.0 (1/2) | |

27 - DÉCALQUES / DECALS



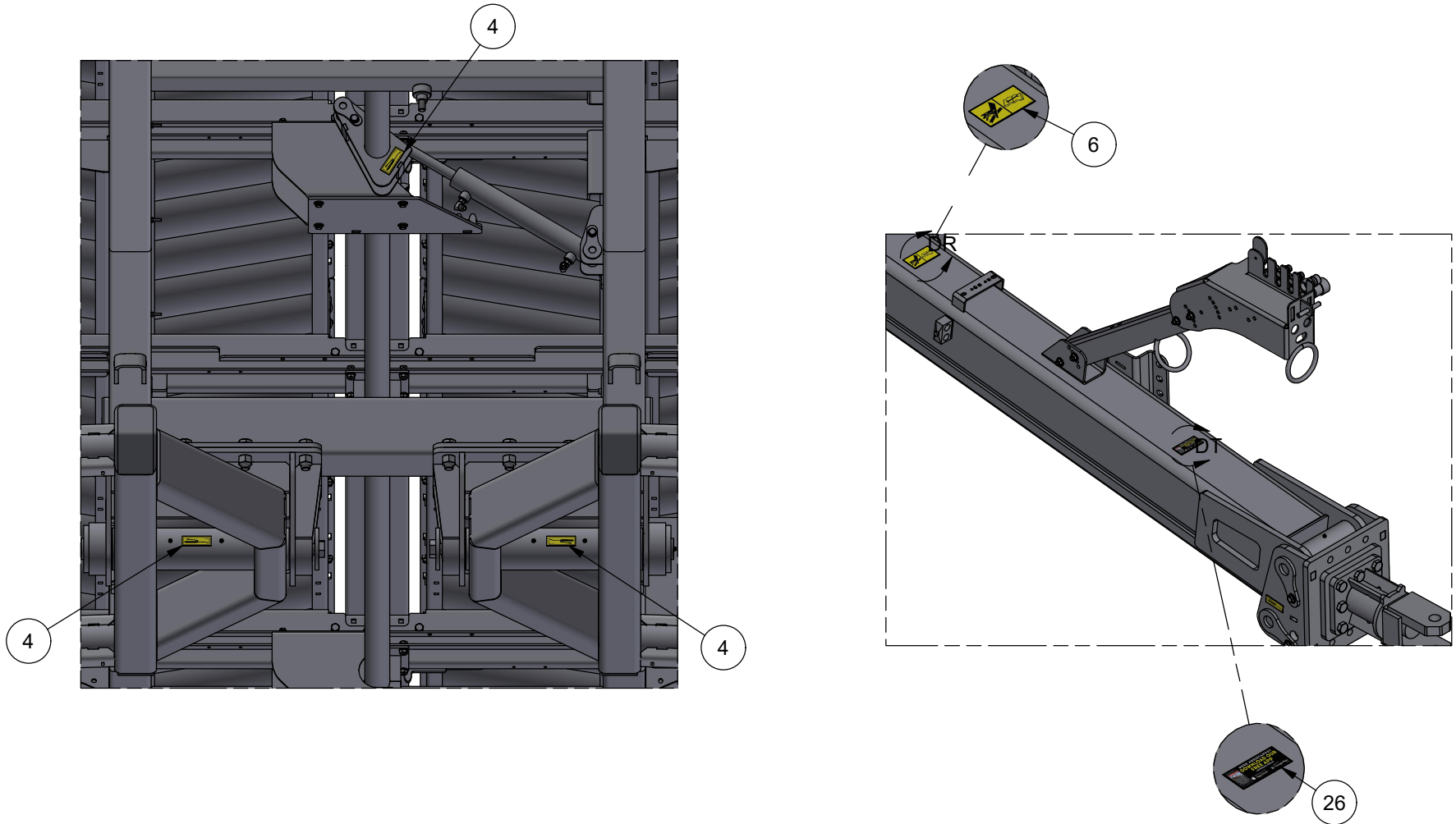
27 - DÉCALQUES / DECALS



ANDERSON

| ITEM | QT | PART/PIECE | ENGLISH DESCRIPTION | DESCRIPTION FRANCAISE | NOTE |
|------|----|------------|-------------------------------------|-------------------------------------|------|
| 2 | 2 | 404051-1 | CHAIN ENTRAINMENT | DECALQUE ENTRAINEMENT DE CHAINE | |
| 4 | 67 | 404002 | LUBRICATION STICKER | DECALQUE GRAISSAGE | |
| 6 | 2 | 404170 | REFERENCE TO MANUAL STICKER | DECALQUE REF MANUEL | |
| 8 | 1 | 404279 | BEWARE OF ELECTRICAL WIRE STICKER | DECALQUE ATTENTION AUX FILS ELECT | |
| 9 | 1 | 404300 | STICKER KEEP YOUR DISTANCE | DECALQUE GARDER DISTANCE | |
| 10 | 1 | 404158-1 | STICKER STOP ENGINE FOR MAINTENANCE | DECALQUE ARRET MOTEUR ENTRETIEN | |
| 11 | 1 | 404057-1 | READ THE MANUAL STICKER | DECALQUE LIRE MANUEL | |
| 12 | 5 | 404077 | WARNING LOADING ARM STICKER | DECALQUE ATTENTION BRAS CHARGEMENT | |
| 21 | 1 | 404334 | STICKER RBMPRO CONVEYORS POSITION | DECALQUE RBMPRO POSITION CONVOYEURS | |
| 23 | 4 | 404041 | DIRECTION STICKER | DECALQUE DIRECTION | |

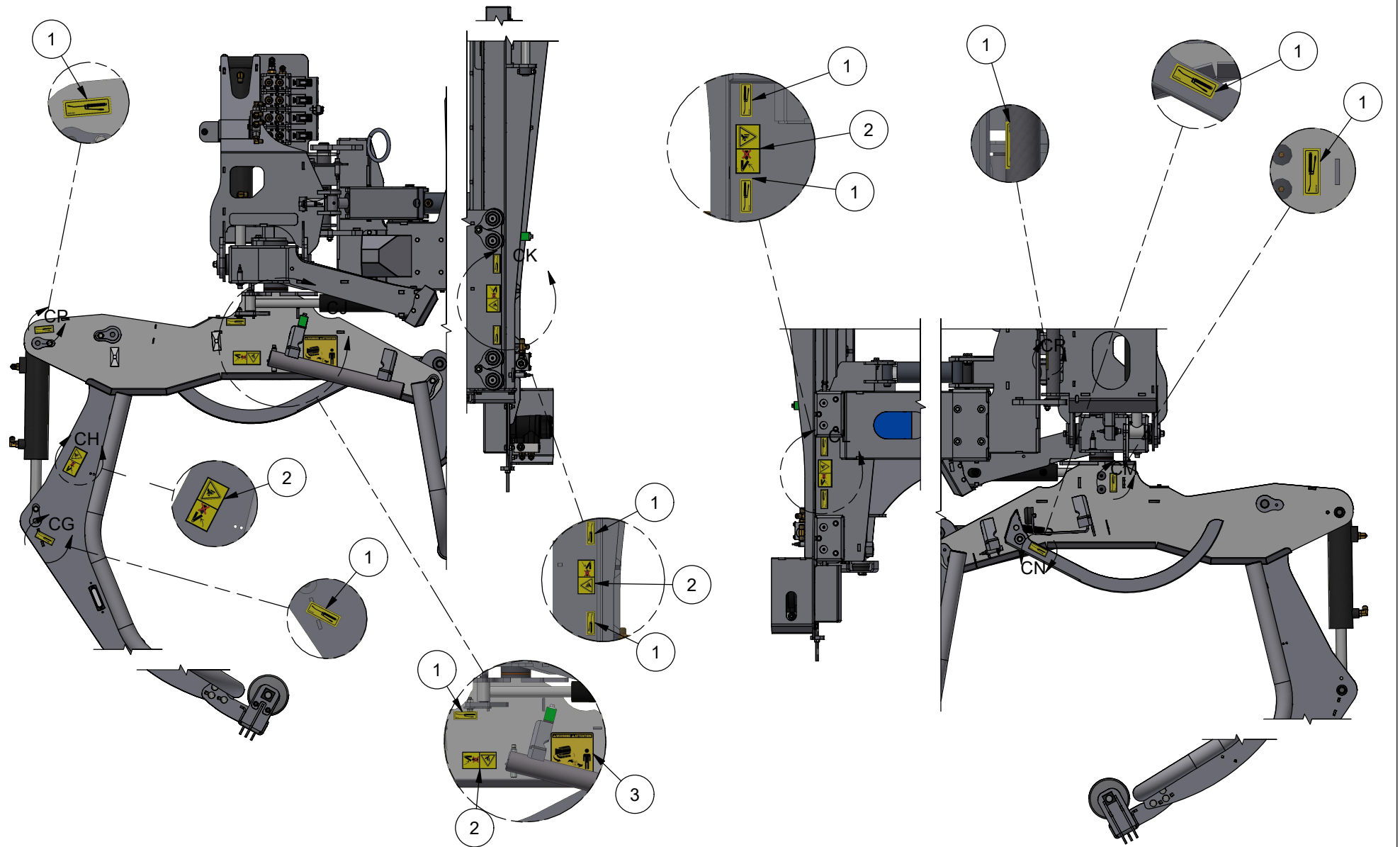
27 - DÉCALQUES / DECALS



| ITEM | QT | PART/PIECE | ENGLISH DESCRIPTION | DESCRIPTION FRANCAISE | NOTE |
|------|----|------------|-----------------------------|-------------------------------|------|
| 4 | 67 | 404002 | LUBRICATION STICKER | DECALQUE GRAISSAGE | |
| 6 | 2 | 404170 | REFERENCE TO MANUAL STICKER | DECALQUE REF MANUEL | |
| 26 | 1 | 404370 | STICKER ANDERSON APP | DÉCALQUE APPLICATION ANDERSON | |

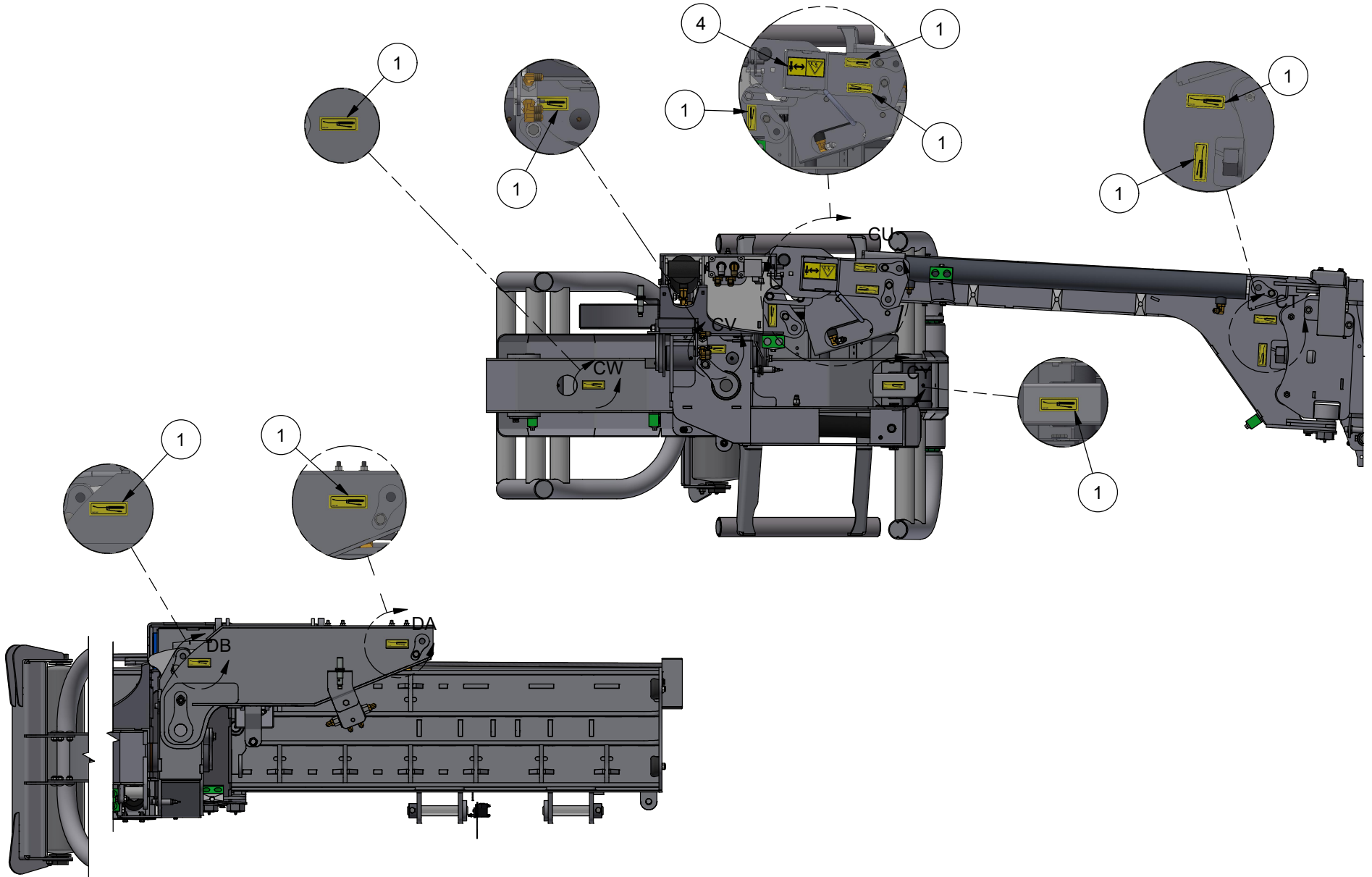
27 - DÉCALQUES / DECALS

| ITEM | QT | PART/PIECE | ENGLISH DESCRIPTION | DESCRIPTION FRANCAISE | NOTE |
|------|----|------------|----------------------------------|--------------------------------------|------|
| 1 | 24 | 404002 | LUBRICATION STICKER | DECALQUE GRAISSAGE | |
| 2 | 4 | 404164 | CAUTION RISK OF CRUSHING STICKER | DECALQUE ATTENTION RISQUE ECRASEMENT | |
| 3 | 1 | 404060 | WARNING DECAL 16 FOOT | DÉCALQUE ATTENTION DISTANCE 5 mètres | |



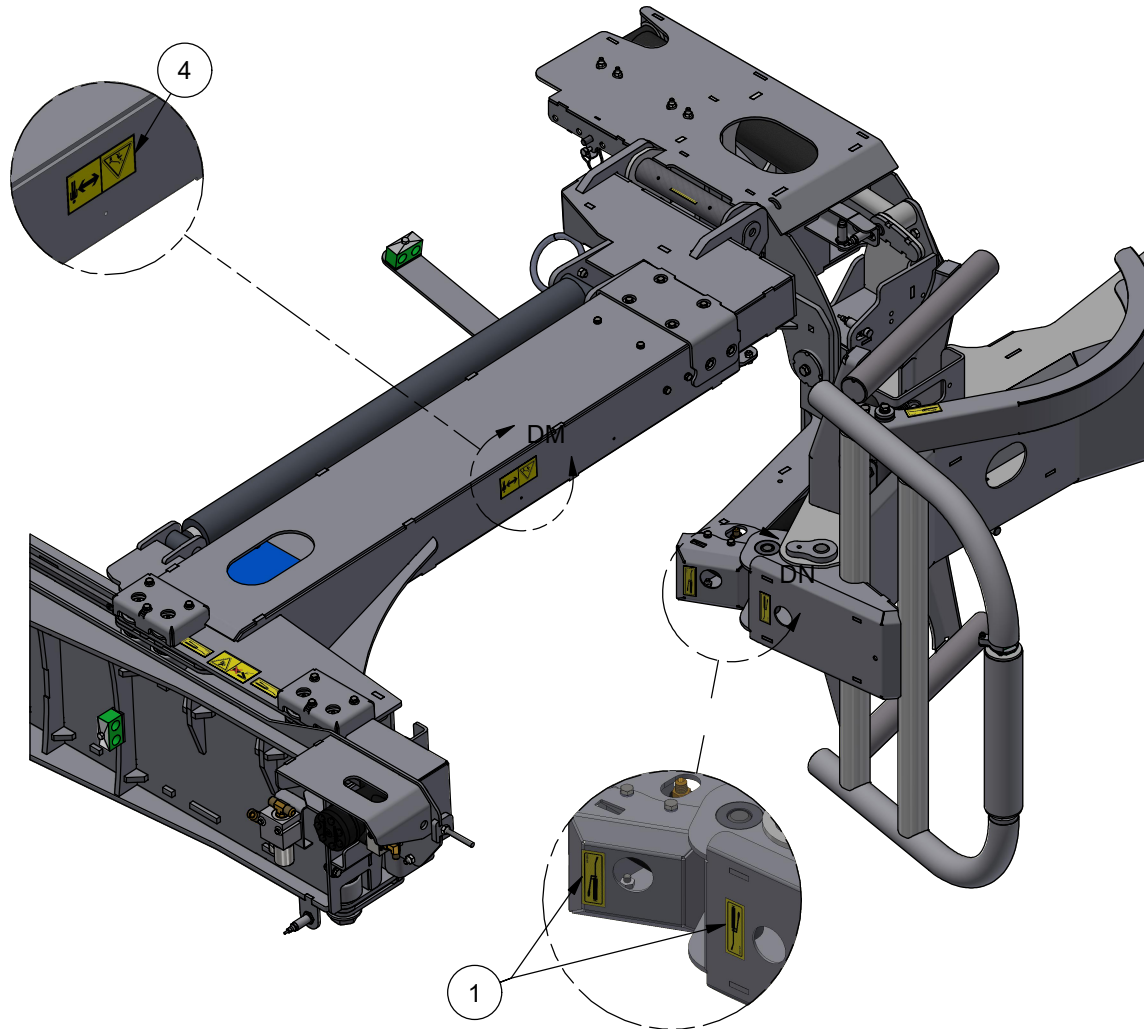
27 - DÉCALQUES / DECALS

| ITEM | QT | PART/PIECE | ENGLISH DESCRIPTION | DESCRIPTION FRANCAISE | NOTE |
|------|----|------------|-----------------------------|------------------------------------|------|
| 1 | 24 | 404002 | LUBRICATION STICKER | DECALQUE GRAISSAGE | |
| 4 | 2 | 404077 | WARNING LOADING ARM STICKER | DECALQUE ATTENTION BRAS CHARGEMENT | |

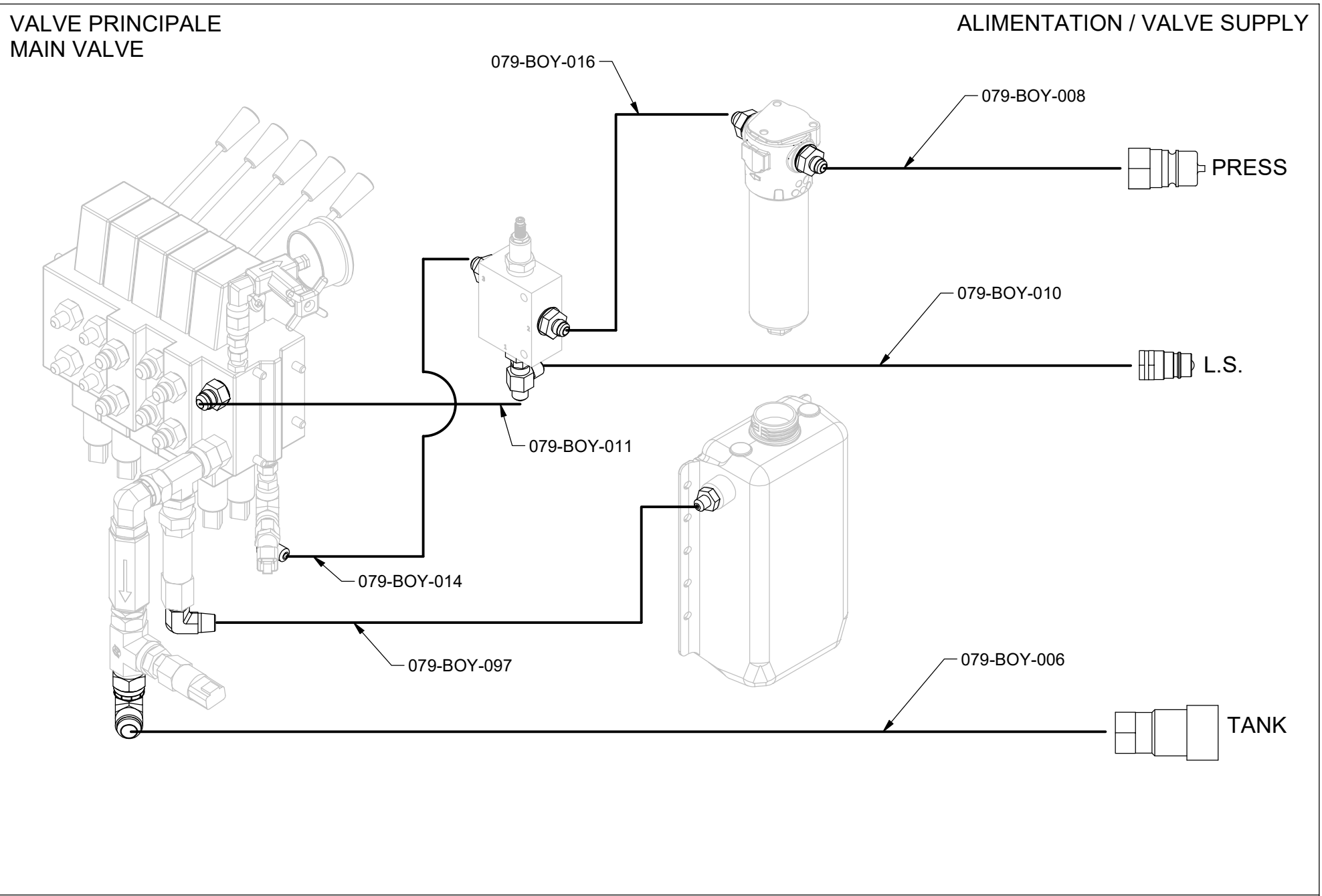


27 - DÉCALQUES / DECALS

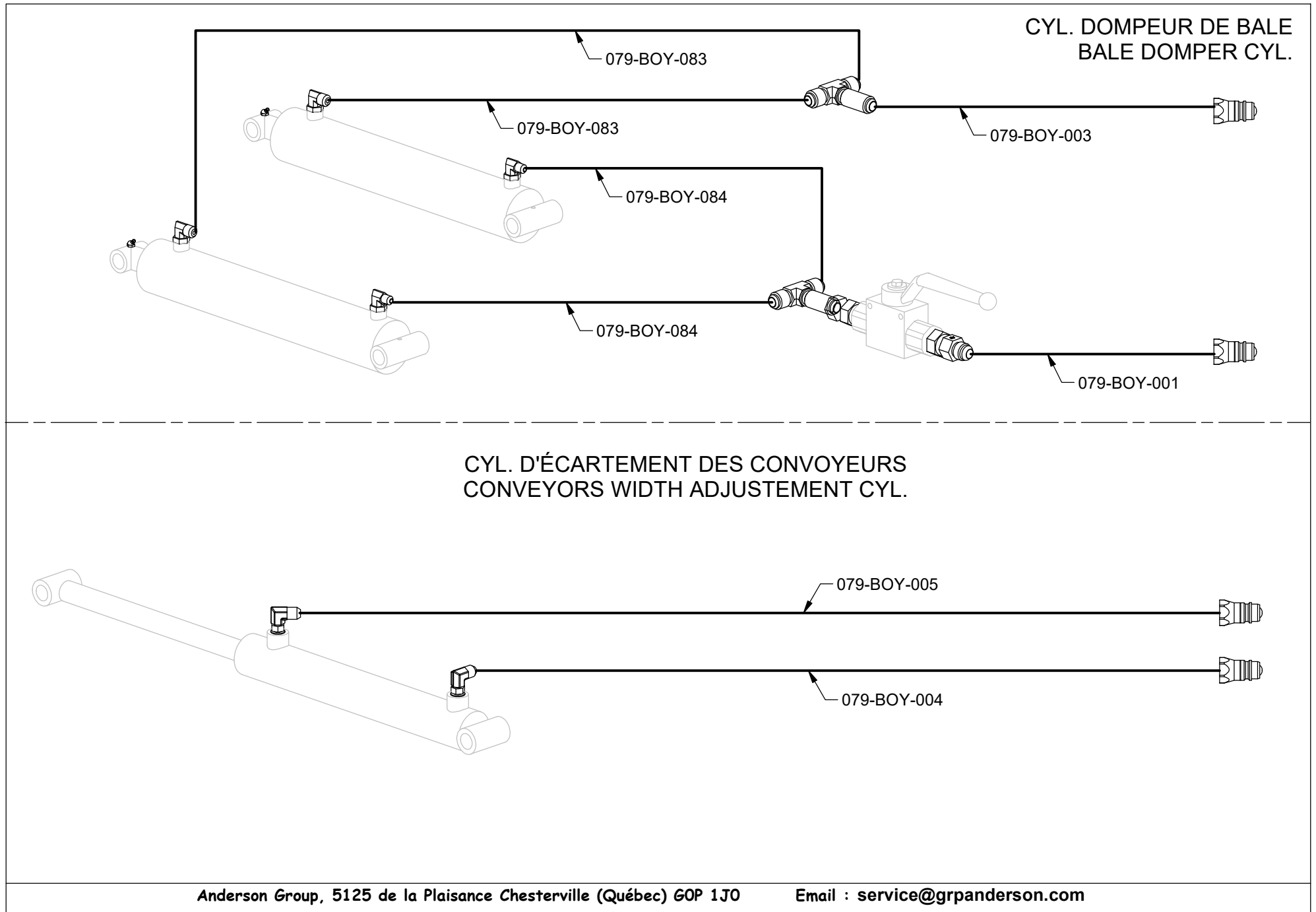
| ITEM | QT | PART/PIECE | ENGLISH DESCRIPTION | DESCRIPTION FRANCAISE | NOTE |
|------|----|------------|----------------------------------|--------------------------------------|------|
| 1 | 24 | 404002 | LUBRICATION STICKER | DECALQUE GRAISSAGE | |
| 2 | 4 | 404164 | CAUTION RISK OF CRUSHING STICKER | DECALQUE ATTENTION RISQUE ECRASEMENT | |
| 3 | 1 | 404060 | WARNING DECAL 16 FOOT | DÉCALQUE ATTENTION DISTANCE 5 mètres | |
| 4 | 2 | 404077 | WARNING LOADING ARM STICKER | DECALQUE ATTENTION BRAS CHARGEMENT | |



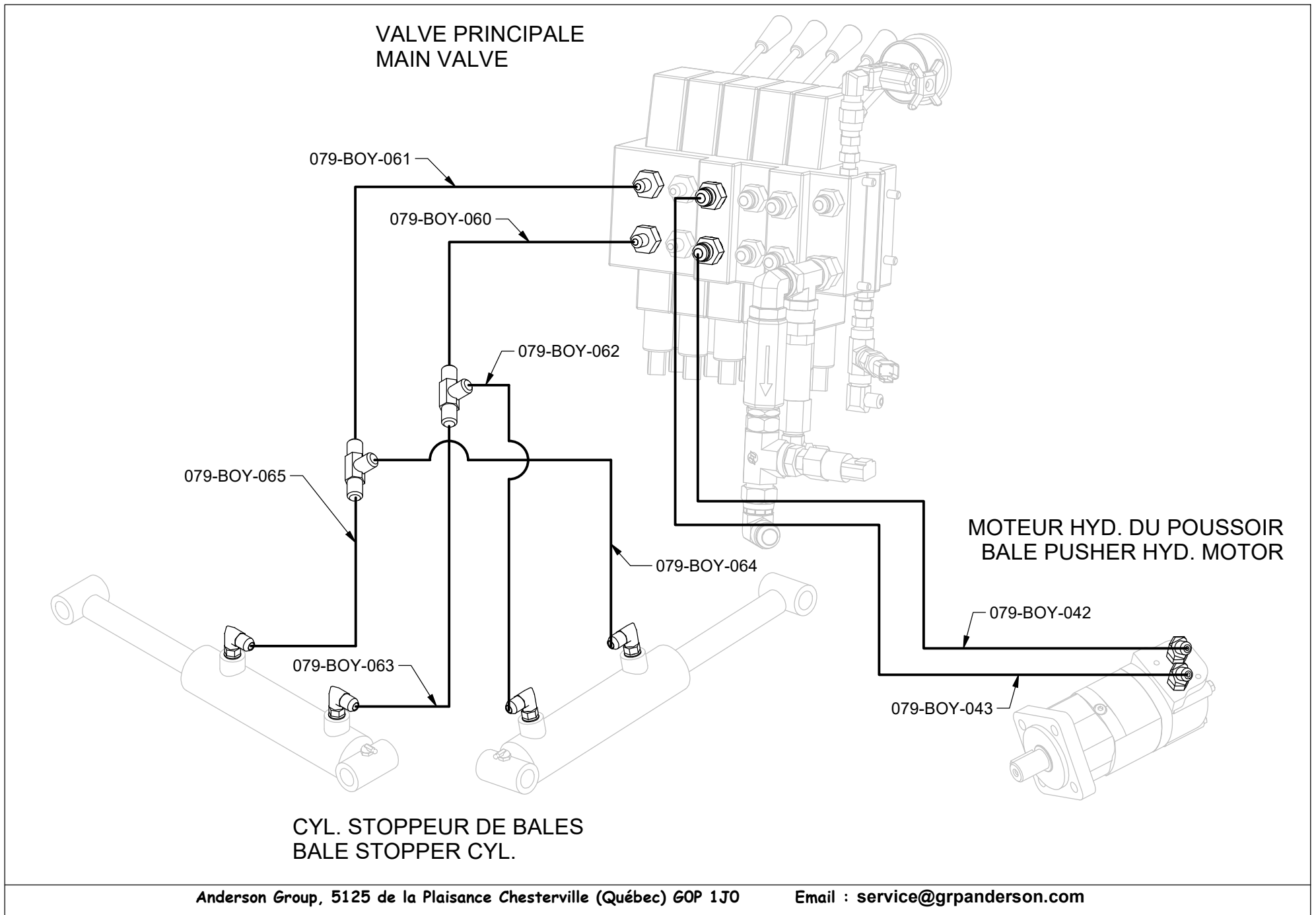
28 - SCHÉMA HYDRAULIQUE / HYDRAULIC DIAGRAM



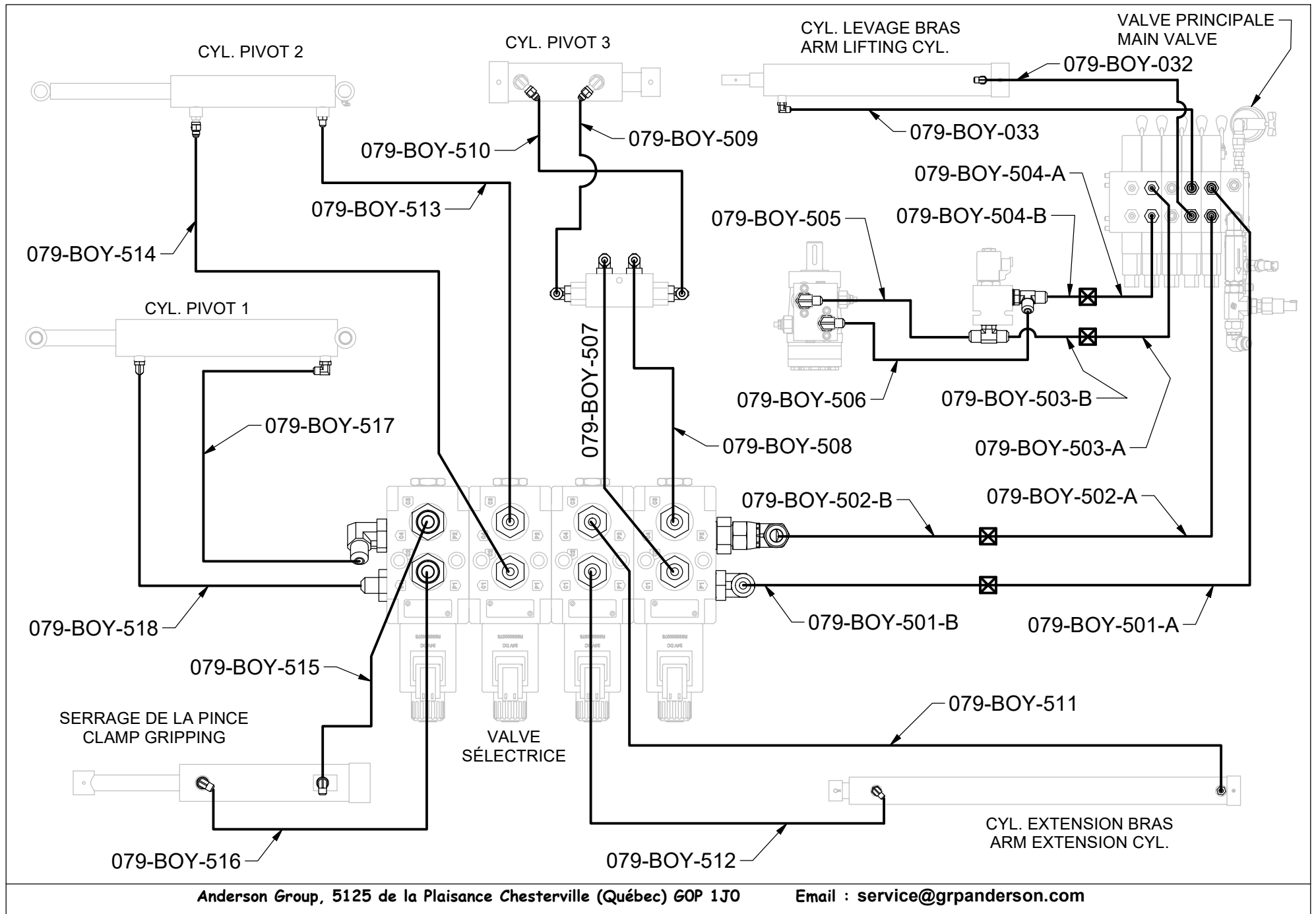
28 - SCHÉMA HYDRAULIQUE / HYDRAULIC DIAGRAM



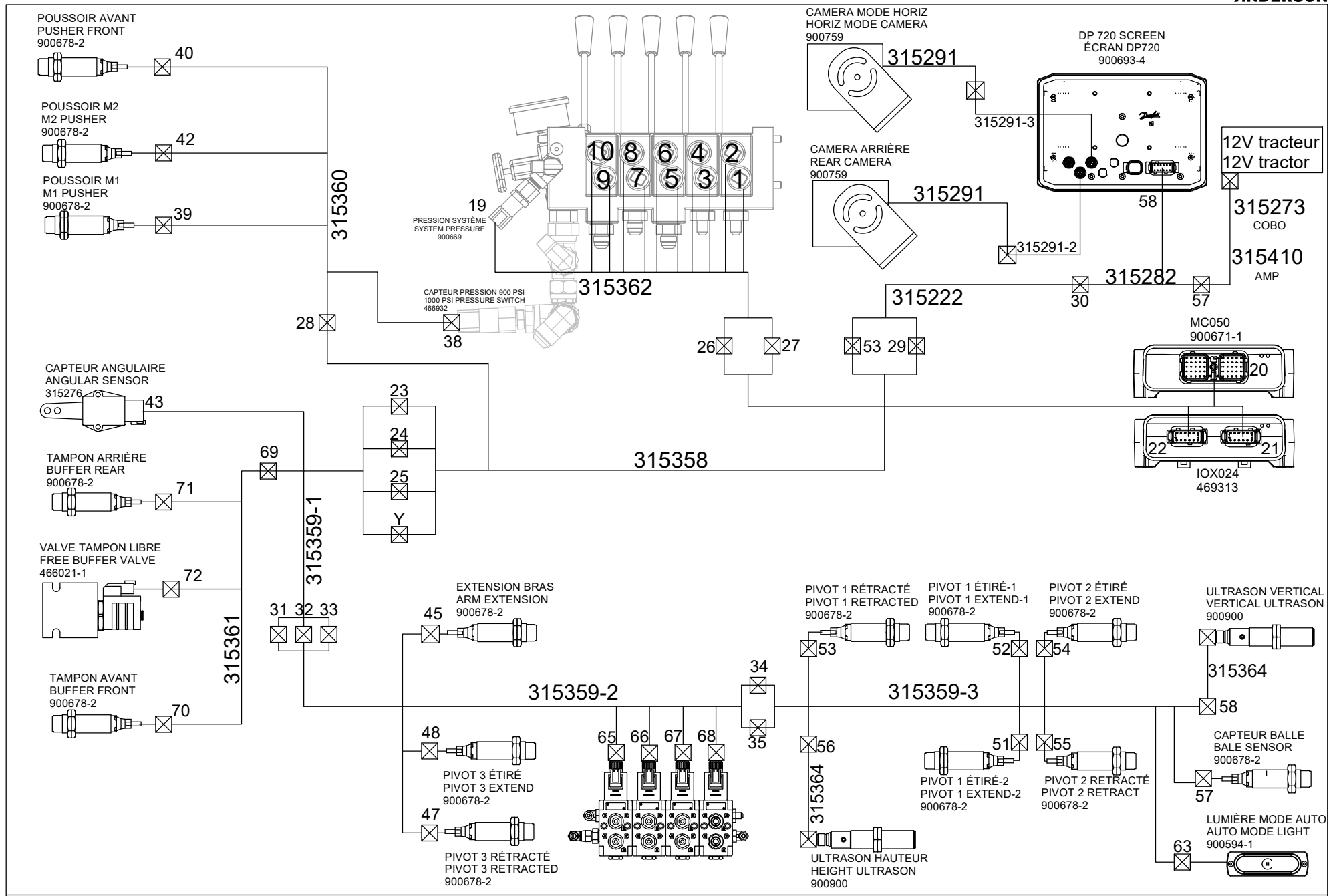
28 - SCHÉMA HYDRAULIQUE / HYDRAULIC DIAGRAM



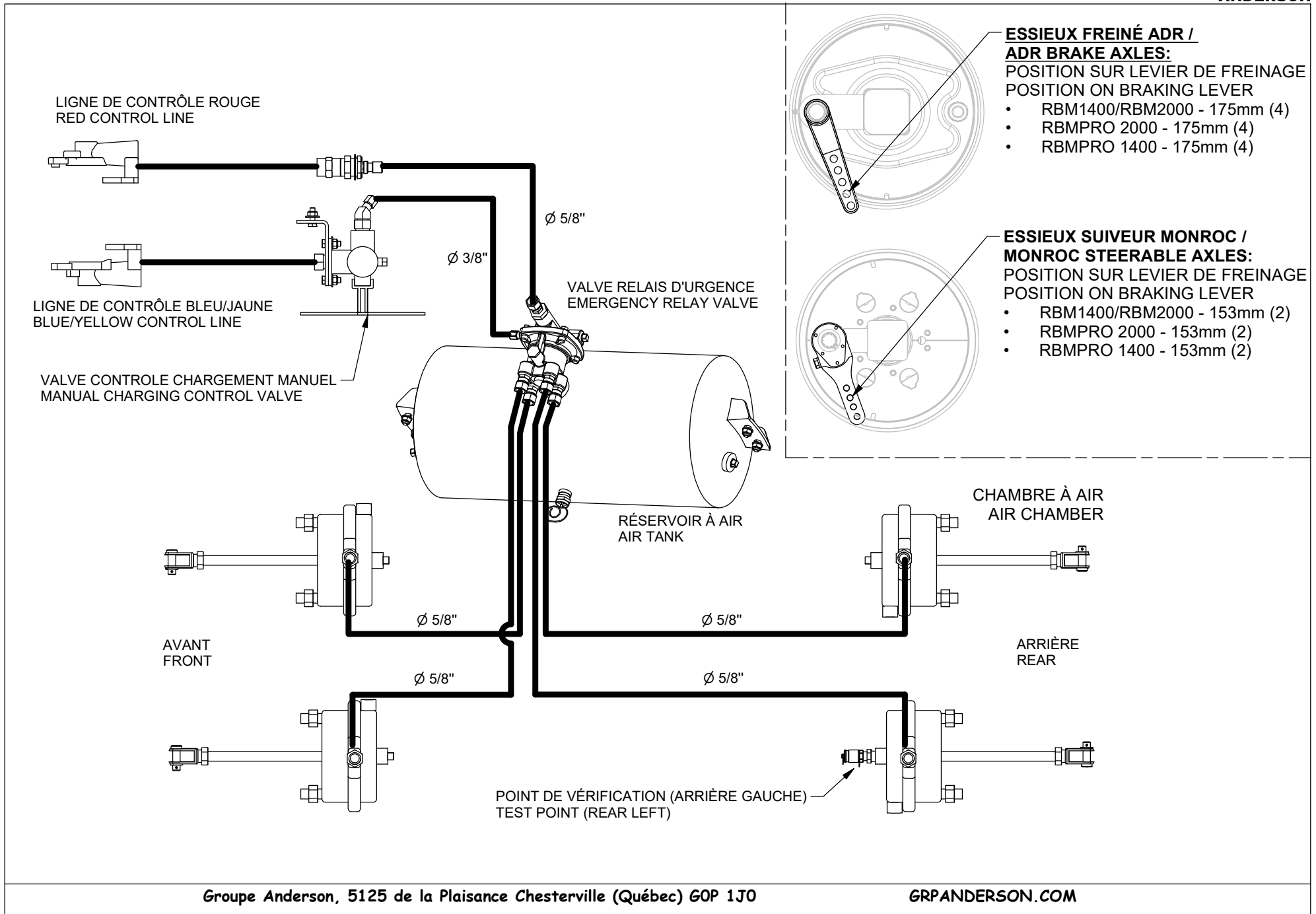
28 - SCHÉMA HYDRAULIQUE / HYDRAULIC DIAGRAM



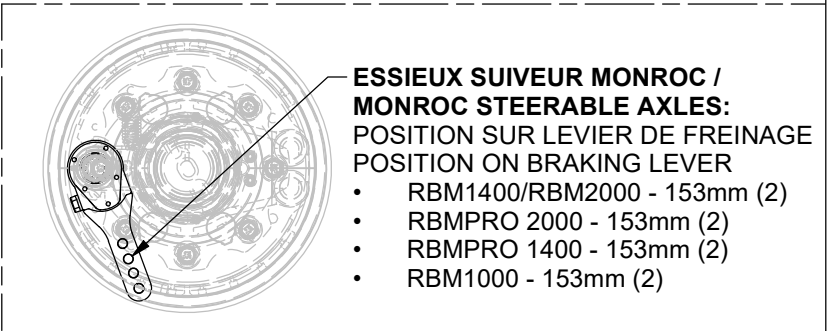
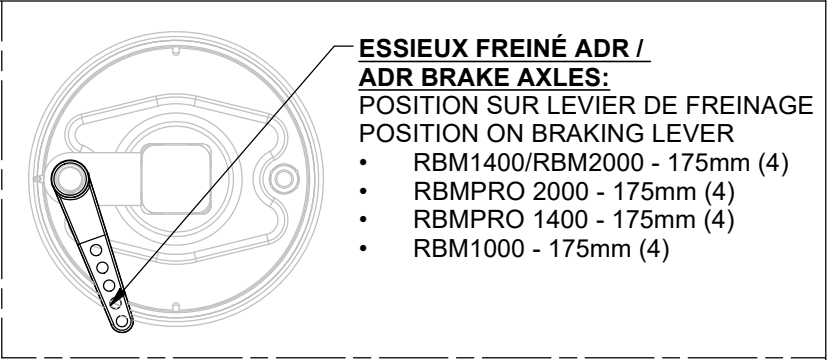
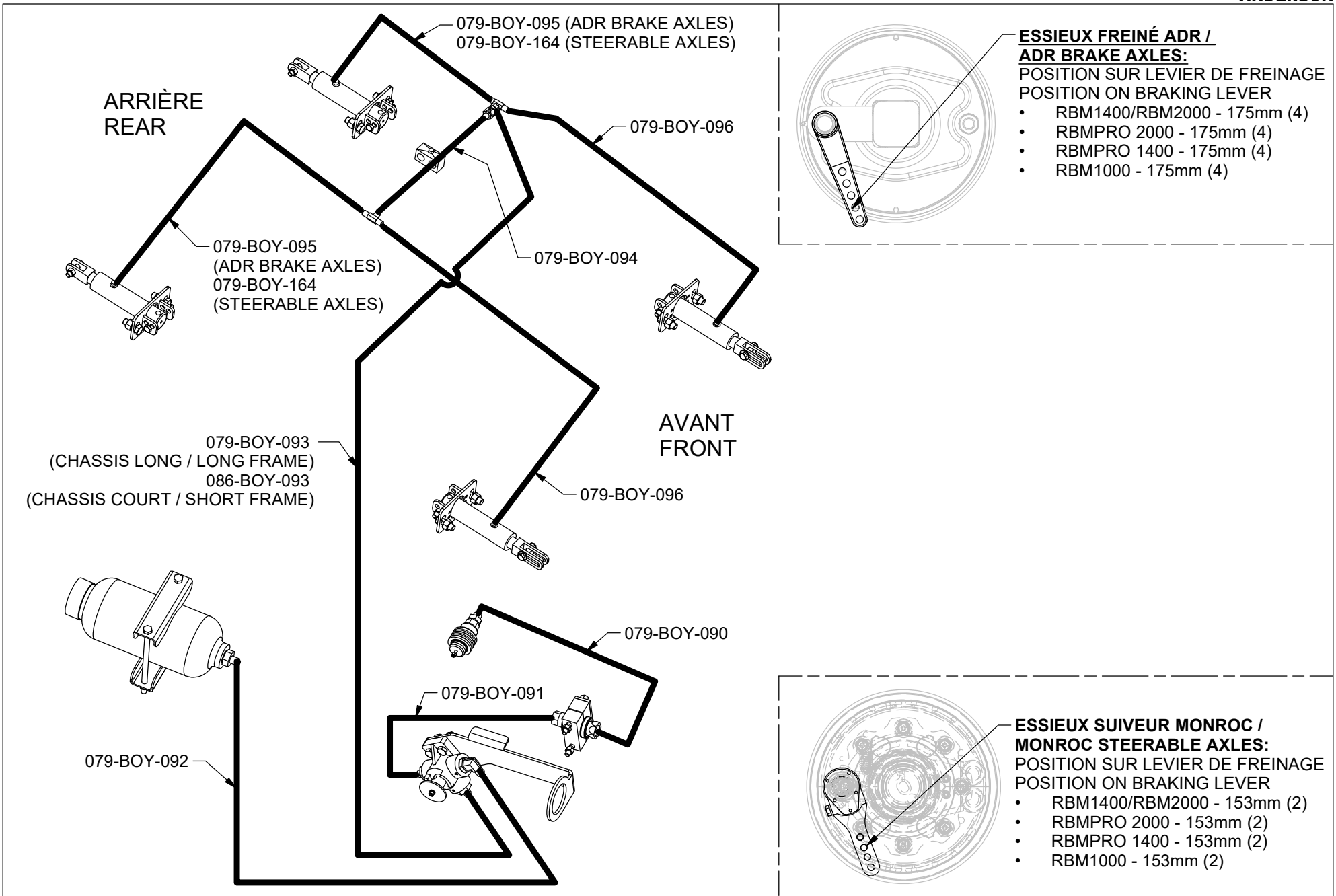
29 - DIAGRAMME ÉLECTRIQUE / ELECTRIC DIAGRAM



30 -DIAGRAMME FREINS A AIR / AIR BRAKES DIAGRAM



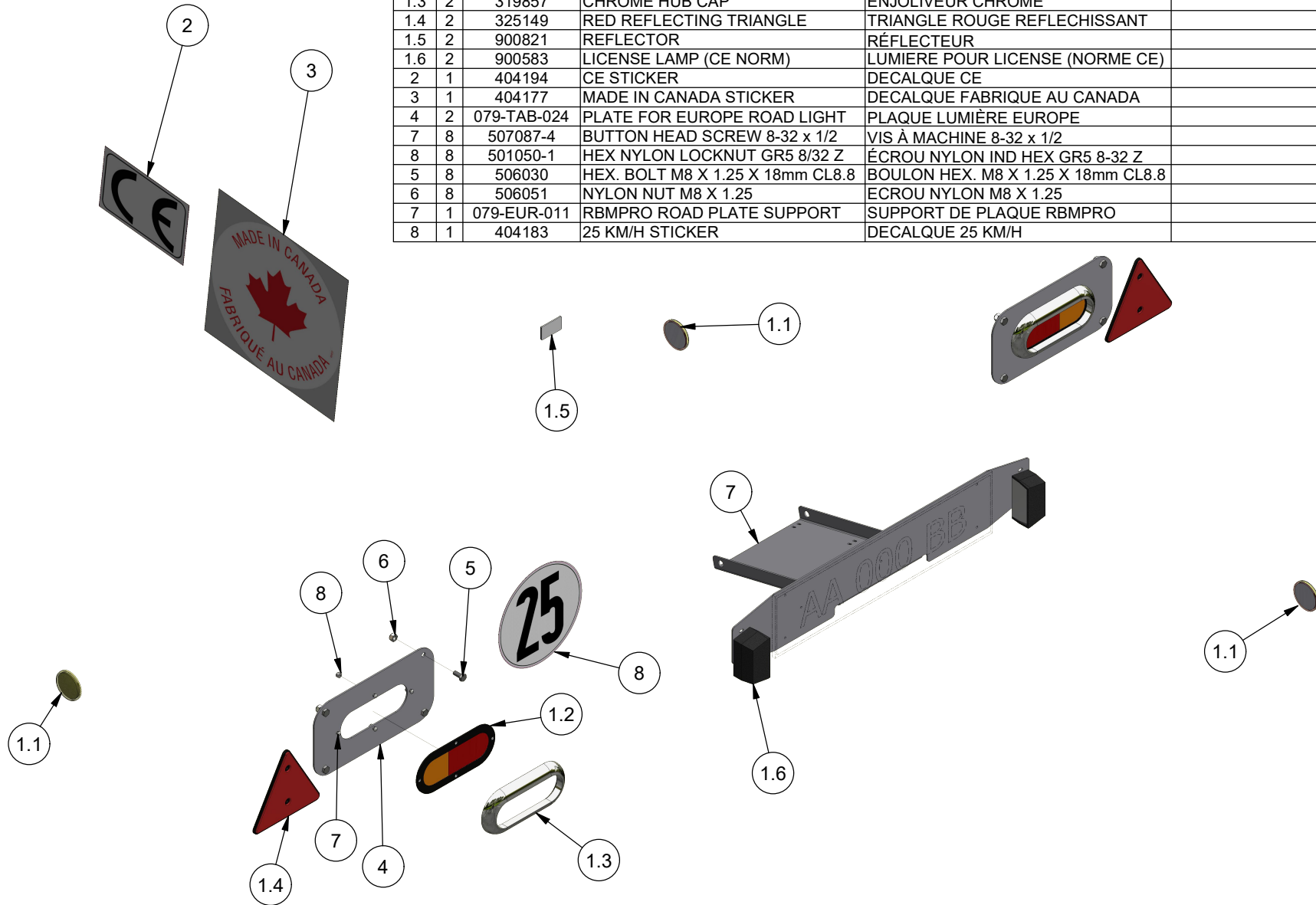
31 - DIAGRAMME FREINS HYDRAULIQUES / HYDRAULIC BRAKES DIAGRAM



32 - LUMIÈRE DE ROUTE EUROPE / EUROPE ROAD LIGHT

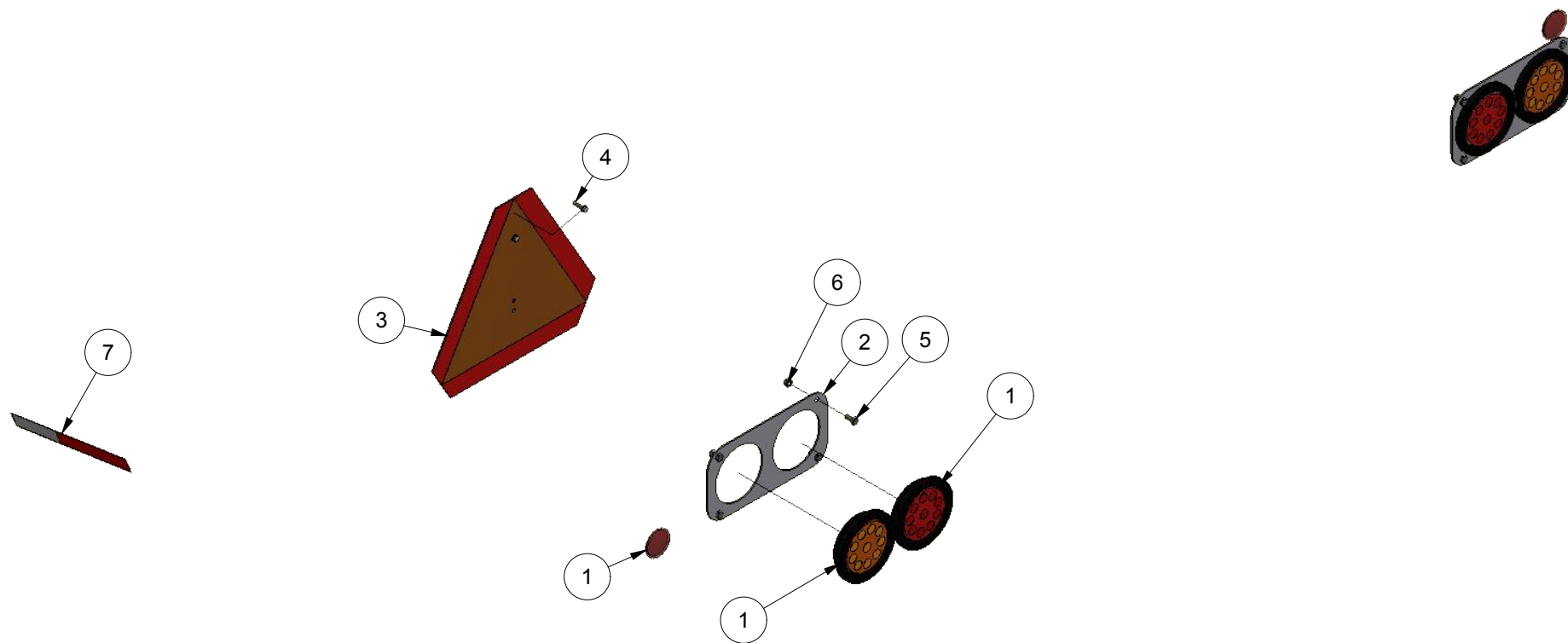


| ITEM | QT | PART/PIECE | ENGLISH DESCRIPTION | DESCRIPTION FRANCAISE | NOTE |
|------|----|-------------|----------------------------------|------------------------------------|------|
| 1 | 1 | 234208-22 | ROAD LIGHT RBM (EUR) | LUMIERE DE ROUTE RBM (EUR) | |
| 1.1 | 8 | 900568 | REFLECTOR | RÉFLECTEUR | |
| 1.2 | 2 | 319858 | OVAL LED COMBO LIGHT | LUMIERE OVAL COMBO DEL | |
| 1.3 | 2 | 319857 | CHROME HUB CAP | ENJOLIVEUR CHROME | |
| 1.4 | 2 | 325149 | RED REFLECTING TRIANGLE | TRIANGLE ROUGE REFLECHISSANT | |
| 1.5 | 2 | 900821 | REFLECTOR | RÉFLECTEUR | |
| 1.6 | 2 | 900583 | LICENSE LAMP (CE NORM) | LUMIERE POUR LICENSE (NORME CE) | |
| 2 | 1 | 404194 | CE STICKER | DECALQUE CE | |
| 3 | 1 | 404177 | MADE IN CANADA STICKER | DECALQUE FABRIQUE AU CANADA | |
| 4 | 2 | 079-TAB-024 | PLATE FOR EUROPE ROAD LIGHT | PLAQUE LUMIERE EUROPE | |
| 7 | 8 | 507087-4 | BUTTON HEAD SCREW 8-32 x 1/2 | VIS À MACHINE 8-32 x 1/2 | |
| 8 | 8 | 501050-1 | HEX NYLON LOCKNUT GR5 8/32 Z | ÉCROU NYLON IND HEX GR5 8-32 Z | |
| 5 | 8 | 506030 | HEX. BOLT M8 X 1.25 X 18mm CL8.8 | BOULON HEX. M8 X 1.25 X 18mm CL8.8 | |
| 6 | 8 | 506051 | NYLON NUT M8 X 1.25 | ECROU NYLON M8 X 1.25 | |
| 7 | 1 | 079-EUR-011 | RBMPRO ROAD PLATE SUPPORT | SUPPORT DE PLAQUE RBMPRO | |
| 8 | 1 | 404183 | 25 KM/H STICKER | DECALQUE 25 KM/H | |



33 - LUMIÈRE DE ROUTE AMÉRIQUE / AMERICA ROAD LIGHTS

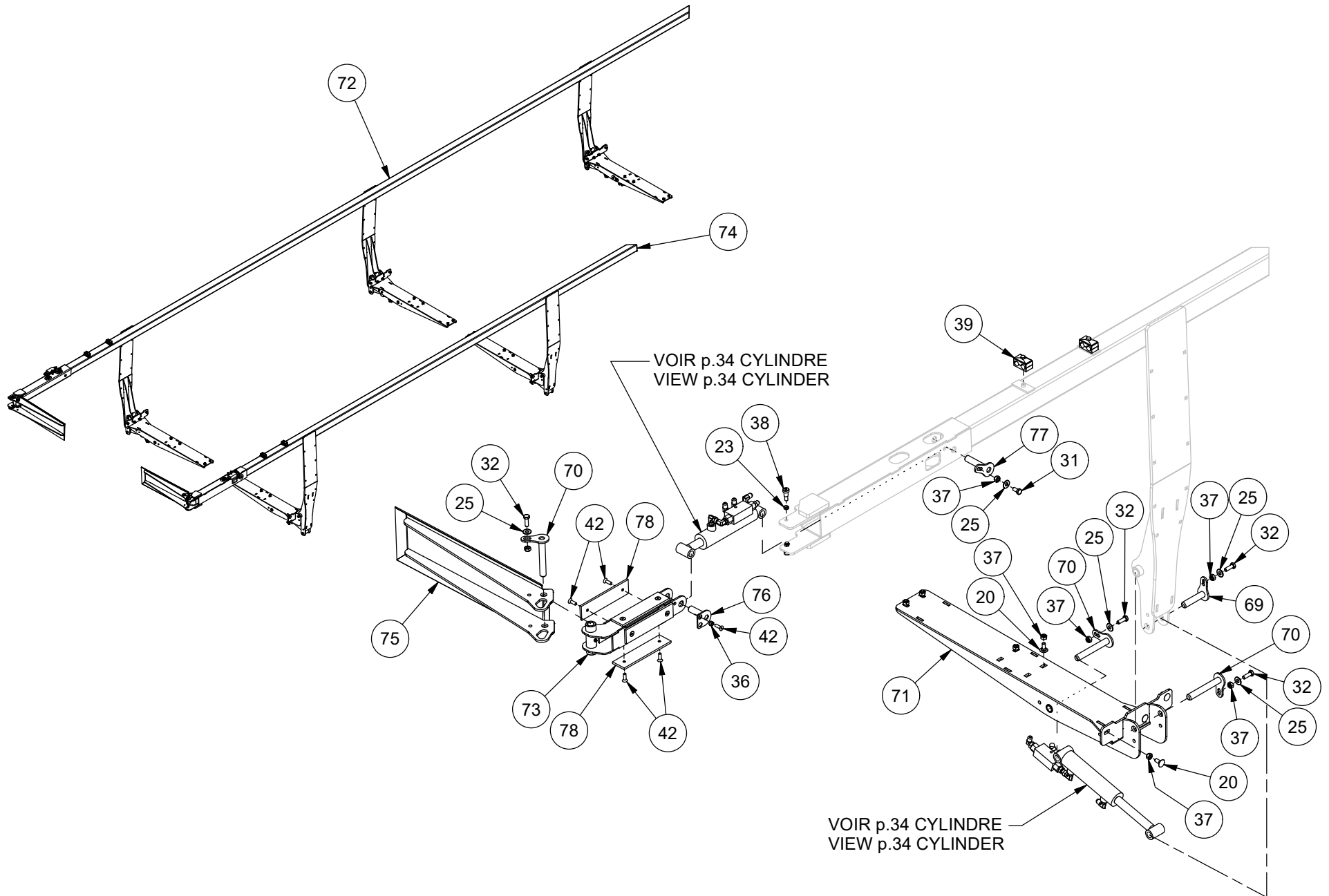
| ITEM | QT | PART/PIECE | ENGLISH DESCRIPTION | DESCRIPTION FRANCAISE | NOTE |
|------|----|-------------|---------------------------------------|---|------|
| 1 | 1 | 234208-25 | ROAD LIGHT DEL RBM (AME) | LUMIERE DE ROUTE DEL RBM (AME) | |
| 2 | 2 | 079-TAB-023 | AMERICA ROAD LIGHT PLATE | PLAQUE LUMIÈRE AMÉRIQUE | |
| 3 | 1 | 325145 | SLOW VEHICULE TRIANGLE | TRIANGLE VÉHICULE LENT | |
| 4 | 2 | 507040 | SELF-DRILLING SCREW | VIS AUTO-PERCEUSE | |
| 5 | 8 | 506030 | HEX. BOLT M8 X 1.25 X 18mm CL8.8 | BOULON HEX. M8 X 1.25 X 18mm CL8.8 | |
| 6 | 8 | 506051 | NYLON NUT M8 X 1.25 | ECROU NYLON M8 X 1.25 | |
| 7 | 8 | 404009 | STICKER REFLECTOR RED/WHITE (BY FEET) | DECALQUE REFLECTEUR ROUGE-BLANC (AU PIED) | |





ANDERSON

34 - OPTION SYSTEME DE CONTENTION / LOAD SECURITY SYSTEM

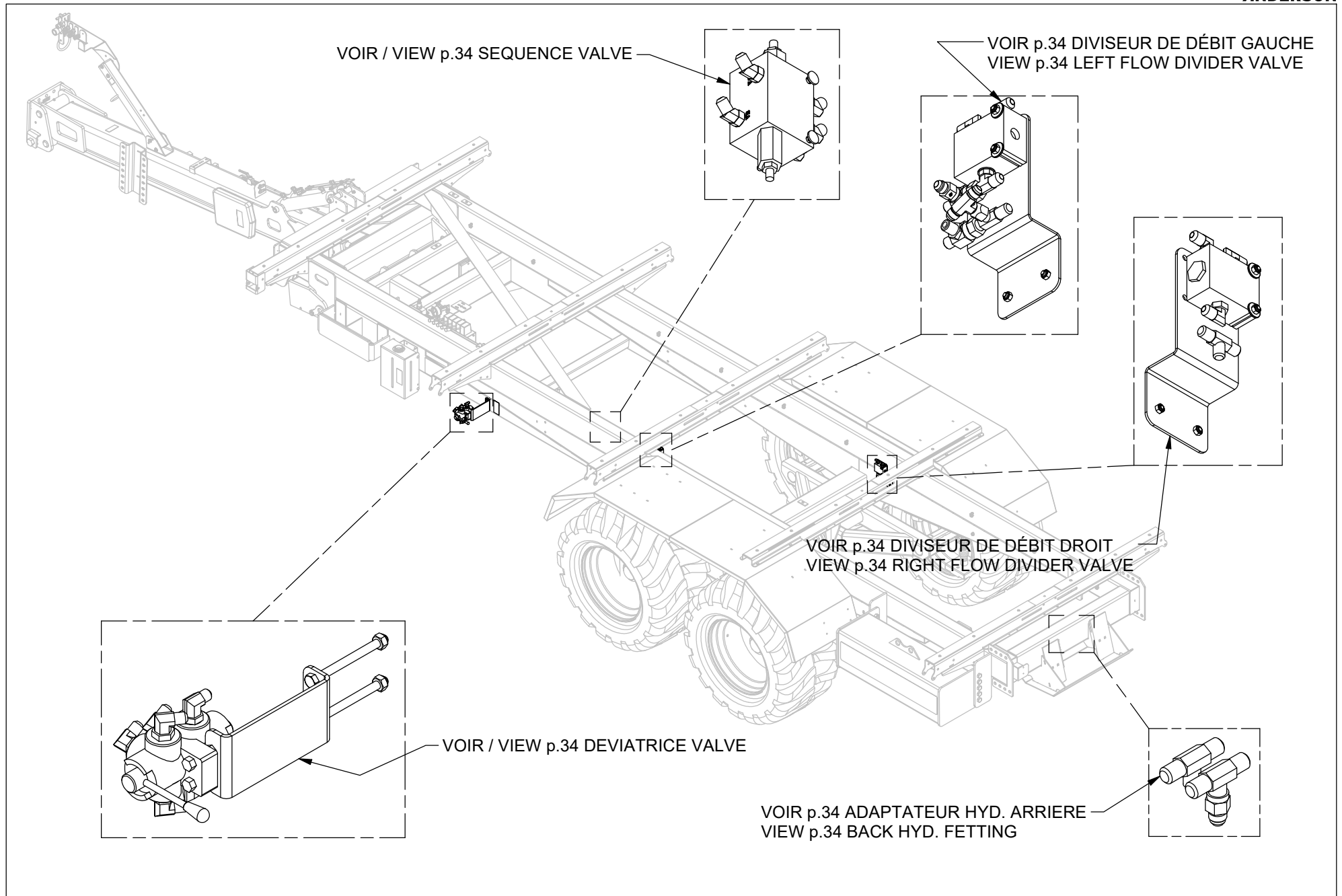


34 - OPTION SYSTEME DE CONTENTION / LOAD SECURITY SYSTEM



| ITEM | QT | PART/PIECE | ENGLISH DESCRIPTION | DESCRIPTION FRANCAISE | NOTE |
|------|----|-------------|--------------------------------------|--|------|
| 20 | 36 | 500700 | CARRIAGE BOLT M10 X 1.50 X 25 CL8.8 | BOULON CAROSSERIE M10 X 1.50 X 25 CL8.8 | |
| 23 | 4 | 501032-1 | HEX HALF NYLON LOCKNUT GR5 3/8-16 Z | DEMI ÉCROU NYLON IND HEX GR5 3/8-16 Z | |
| 25 | 19 | 502004 | FLAT WASHER 3/8 Z | RONDELLE PLATE 3/8 Z | |
| 31 | 2 | 506009 | HEX. BOLT M10 X 1.5 X 20mm CL8.8 | BOULON HEX. M10 X 1.5 X 20mm CL8.8 | |
| 32 | 17 | 506009-2 | HEX. BOLT M10 X 1.5 X 30mm CL8.8 | BOULON HEX. M10 X 1.5 X 30mm CL8.8 | |
| 36 | 22 | 506051 | NYLON NUT M8 X 1.25 | ECROU NYLON M8 X 1.25 | |
| 37 | 63 | 506039 | NYLON NUT M10 X 1.5 | ECROU NYLON M10 X 1.5 | |
| 38 | 4 | 500578 | HEX SOCKET HEAD CAP SCREW 1/2 X 5/8 | VIS HEX CREUX TÊTE CYLINDRIQUE 1/2 X 5/8 | |
| 39 | 4 | 320009-3 | HOSE HOLDER | SUPPORT DE BOYAUX | |
| 42 | 18 | 507052-1 | FLAT SOCKET CAP SCREW M8-1.25 X 25MM | VIS A TETE FRAISÉE ALLEN M8-1.25 X 25MM | |
| 69 | 5 | 079-CON-AJ | BALE STOPPER CYLINDER PIN | AXE CYLINDRE ARRET BALLE | |
| 70 | 12 | 079-CON-AK | BALE STOPPER CYLINDER PIN | AXE DU CYLINDRE DE L'ARRET BALLE | |
| 71 | 5 | 079-CON-CE | LOAD SECURITY SYST. SUPPORT | SUPPORT SYST CHARGEMENT SECURITAIRE | |
| 72 | 1 | 079-CON-CH | LEFT RAMP LOAD SECURITY SYST. | RAMPE GAUCHE SYST CHARG. SECURITÉ | |
| 73 | 2 | 079-CON-CJ | LOAD SECURITY SYSTEM TROLLEY | CHARRIOT SYST. CHARGE. SECURITAIRE | |
| 74 | 1 | 079-CON-CK | RIGHT RAMP LOAD SECURITY SYST. | RAMPE DROIT SYST CHARG. SECURITÉ | |
| 75 | 2 | 079-CON-CL | REAR STOPPER LOAD SECURITY SYSTEM | PALETTE ARR. SYST. CHARG. SECURITAIRE | |
| 76 | 2 | 079-CON-CM | PIN | AXE CYLINDRE | |
| 77 | 2 | 079-CON-CN | LSS BALE STOPPER CYLINDER PIN | LSS AXE DU CYLINDRE DE L'ARRET BALLE | |
| 78 | 8 | 079-CON-193 | SLIDING PAD | GLISSIÈRE | |

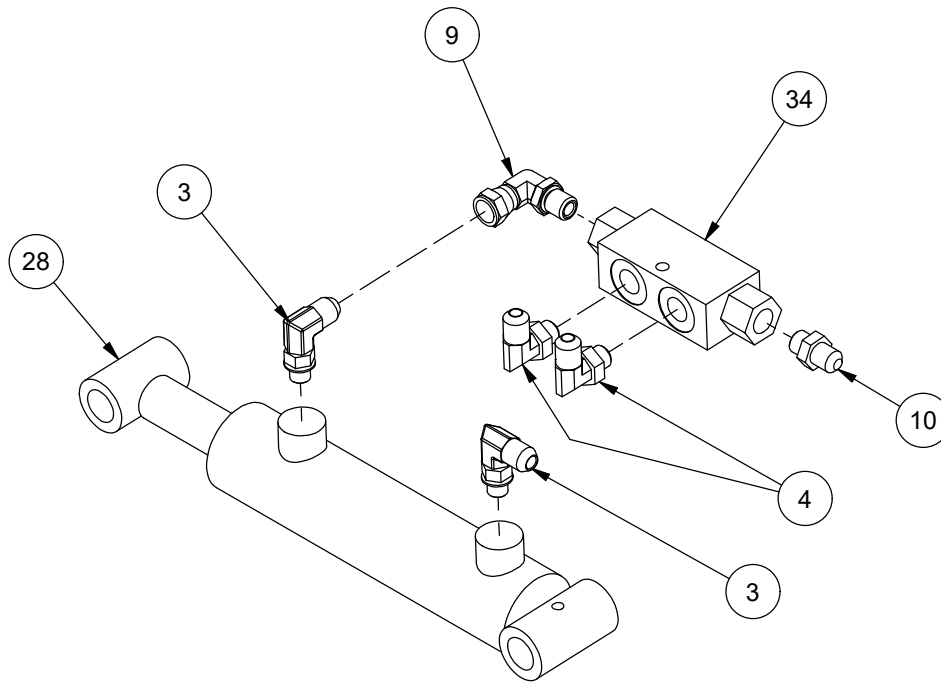
34 - OPTION SYSTEME DE CONTENTION / LOAD SECURITY SYSTEM



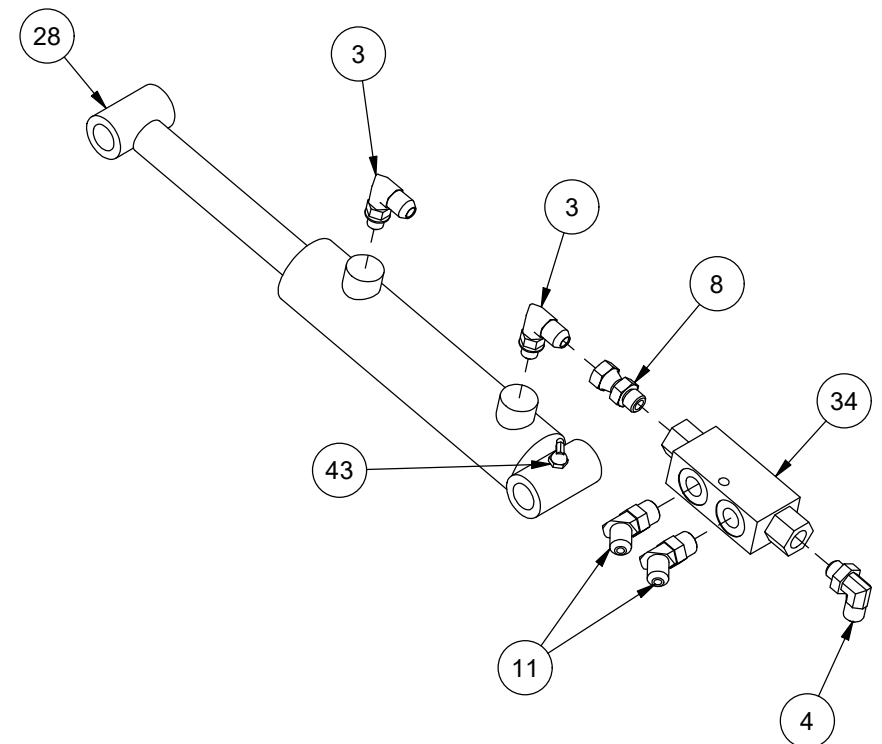
34 - CYLINDRE SYSTEME DE CONTENTION / LOAD SECURITY SYSTEM CYLINDER



| ITEM | QT | PART/PIECE | ENGLISH DESCRIPTION | DESCRIPTION FRANCAISE | NOTE |
|------|----|------------|------------------------------|--------------------------|------|
| 3 | 14 | 451258 | 6 M.JIC - 4 M.ORB 90° | 6 M.JIC - 4 M.ORB 90° | |
| 4 | 14 | 451260 | 6 M.JIC - 6 M.ORB 90° | 6 M.JIC - 6 M.ORB 90° | |
| 8 | 5 | 451381 | 6 M.ORB - 6 F.JIC TOURN. | 6 M.ORB - 6 F.JIC TOURN. | |
| 9 | 2 | 451409 | 6 M.ORB - 6 F.JIC 90° | 6 M.ORB - 6 F.JIC 90° | |
| 10 | 2 | 451171 | 6 M.JIC- 6M.ORB | 6 M.JIC- 6M.ORB | |
| 11 | 16 | 451226 | 6 M.JIC - 6 M.ORB 45° | 6 M.JIC - 6 M.ORB 45° | |
| 28 | 7 | 467000 | HYDRAULIC CYLINDER | CYLINDRE HYDRAULIQUE | |
| 34 | 7 | 466989 | HYDRAULIC VALVE | VALVE HYDRAULIQUE | |
| 43 | 5 | 322294-1 | GREASE FITTING 1/8 NPT 90 DG | GRAISSEUR 1/8 NPT 90 DG | |

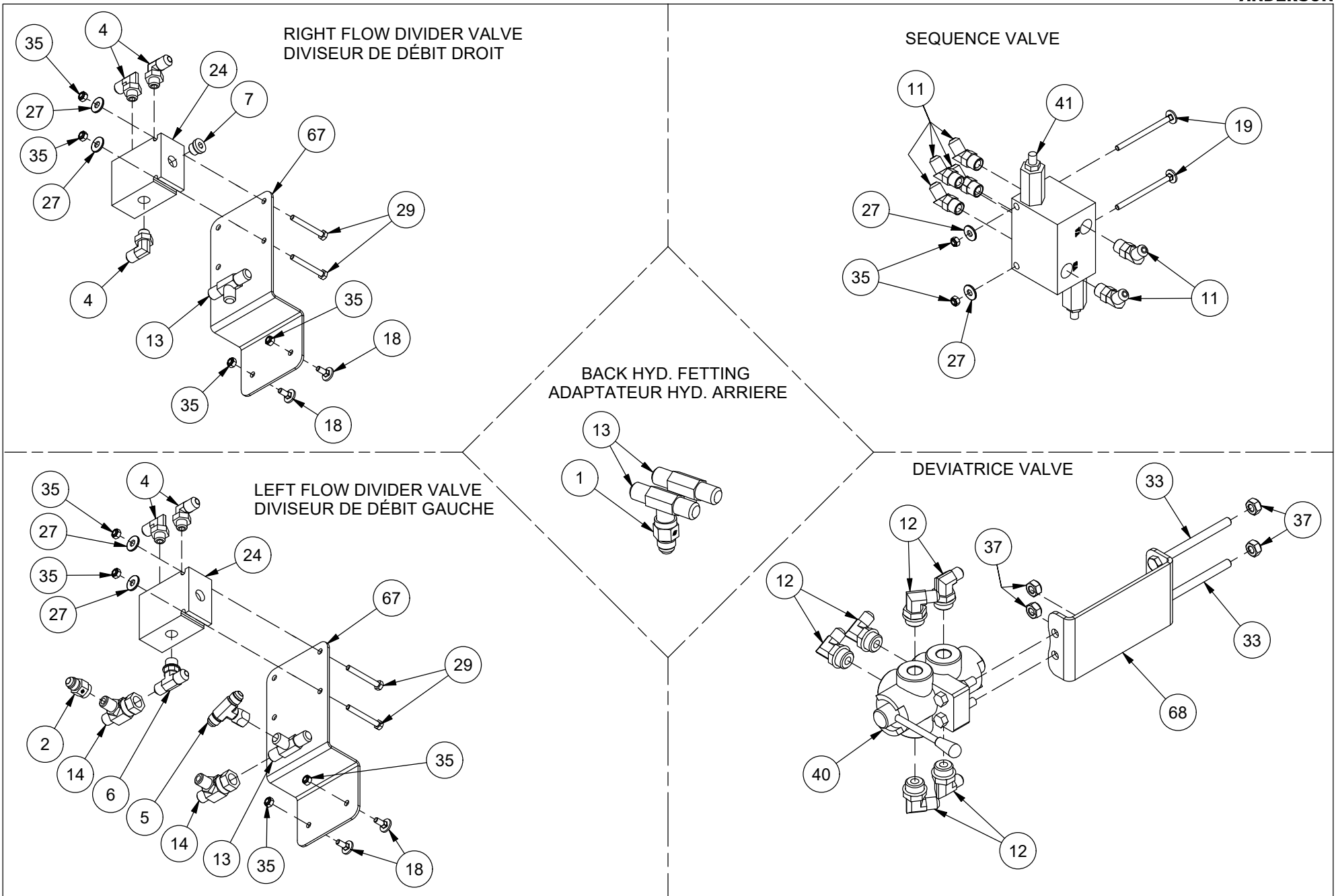


CYLINDRE DE RAMP
RAMPE CYLINDER



CYLINDRE PALETTE ARRIERE
STOPPER CYLINDER

34 - VALVE SYSTEME DE CONTENTION / LOAD SECURITY SYSTEM VALVE



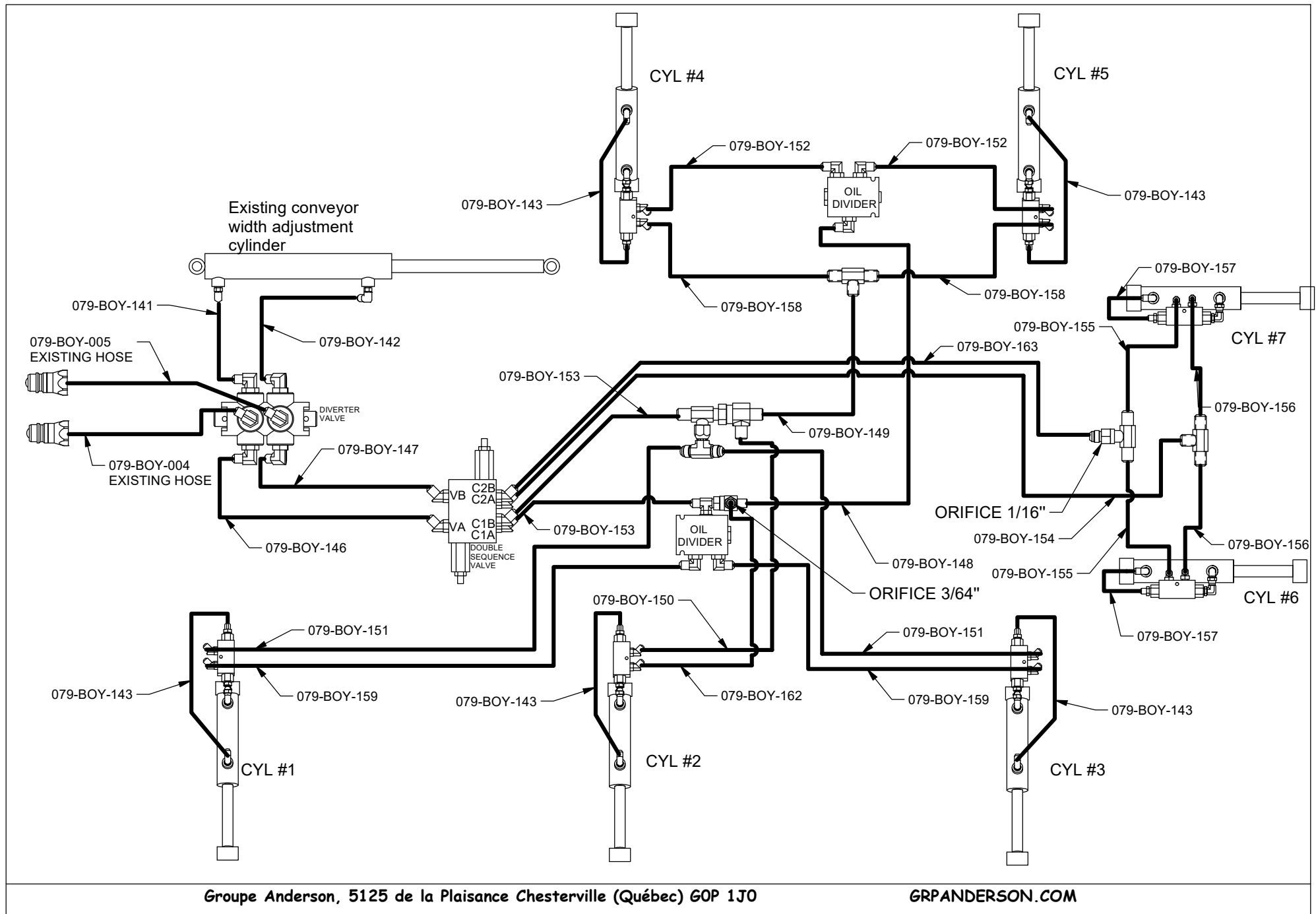
34 - VALVE SYSTEME DE CONTENTION / LOAD SECURITY SYSTEM VALVE



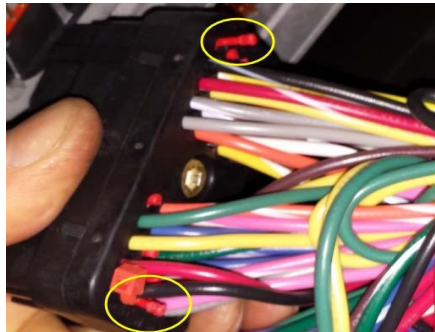
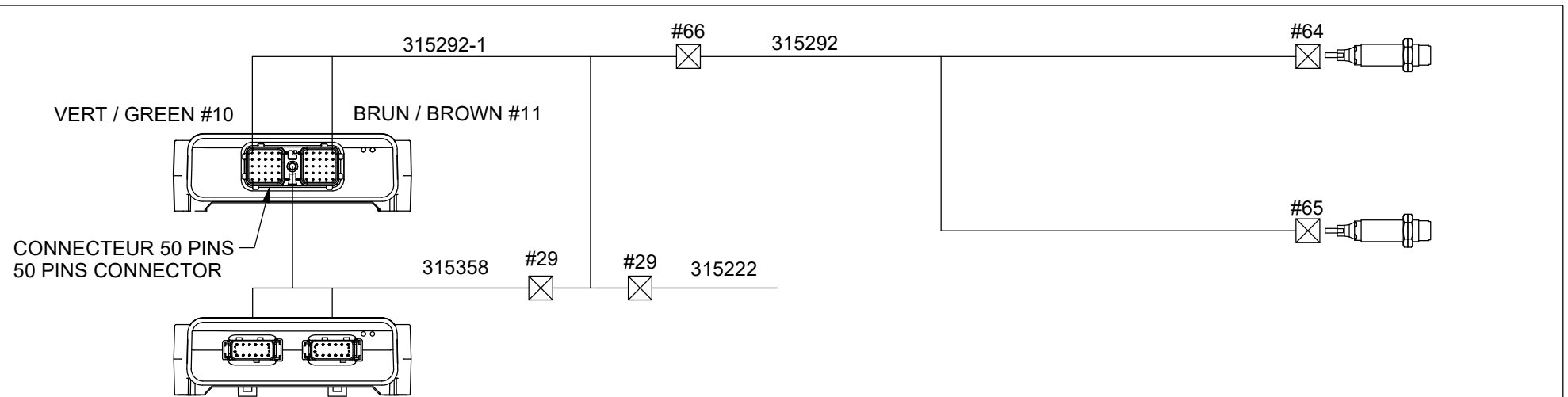
ANDERSON

| ITEM | QT | PART/PIECE | ENGLISH DESCRIPTION | DESCRIPTION FRANCAISE | NOTE |
|------|----|-------------|-----------------------------------|---------------------------------------|------|
| 1 | 1 | 450448 | 5100-06-06 HOLE 1/16 | 5100-06-06 ORIFICE 1/16 | |
| 2 | 1 | 450574 | 5100-06-06 HOLE 3/64 | 5100-06-06 ORIFICE 3/64 | |
| 4 | 14 | 451260 | 6 M.JIC - 6 M.ORB 90° | 6 M.JIC - 6 M.ORB 90° | |
| 5 | 1 | 450982 | HYDRAULIC FITTING | ADAPTEUR HYDRAULIQUE | |
| 6 | 1 | 451312 | 6 M.JIC - 6 M.ORB | 6 M.JIC - 6 M.ORB | |
| 7 | 1 | 451354 | PLUG 6 M. ORB | PLUG 6 M. ORB | |
| 11 | 16 | 451226 | 6 M.JIC - 6 M.ORB 45° | 6 M.JIC - 6 M.ORB 45° | |
| 12 | 6 | 451262 | 6 M.JIC - 10 M.ORB 90° | 6 M.JIC - 10 M.ORB 90° | |
| 13 | 4 | 450862 | HYDRAULIC FITTING | ADAPTEUR HYDRAULIQUE | |
| 14 | 2 | 450972 | F JIC 6 - M JIC 6 TE | F JIC 6 - M JIC 6 TE | |
| 18 | 4 | 506157 | CARRIAGE BOLT M6 X 1.0 X 16 CL8.8 | BOULON CAROSSERIE M6 X 1.0 X 16 CL8.8 | |
| 19 | 2 | 500709 | CBZ M6 X 1.0 X 30 CL8.8 | CBZ M6 X 1.0 X 30 CL8.8 | |
| 24 | 2 | 466045 | FLOW DIVIDER | DIVISEUR DE DÉBIT | |
| 27 | 6 | 502002 | FLAT WASHER 1/4 Z | RONDELLE PLATE 1/4 Z | |
| 29 | 4 | 506085 | HEX. BOLT M6 X 1 X 50mm CL8.8 | BOULON HEX. M6 X 1 X 50mm CL8.8 | |
| 33 | 2 | 506171 | HEX. BOLT M10 X 1.5 X 120mm CL8.8 | BOULON HEX. M10 X 1.5 X 120mm CL8.8 | |
| 35 | 10 | 506050 | HEX NUT M6 X 1 | ECROU NYLON M6 X 1 | |
| 37 | 63 | 506039 | NYLON NUT M10 X 1.5 | ECROU NYLON M10 X 1.5 | |
| 40 | 1 | 465065-1 | HYDRAULIC VALVE | VALVE HYDRAULIQUE | |
| 41 | 1 | 465104 | VALVE | VALVE | |
| 67 | 2 | 079-CON-206 | DIVIDER VALVE SUPPORT PLATE | PLAQUE DE SUPPORT VALVE DIVISEUR | |
| 68 | 1 | 079-CON-212 | DEVIATING VALVE SUPPORT PLATE | PLAQUE DE SUPPORT VALVE DEVIATRICE | |

35 - SYSTÈME DE CONTENTION / LOAD SECURITY SYSTEM DIAGRAM



35 - SYSTÈME DE CONTENTION / LOAD SECURITY SYSTEM DIAGRAM



SUR LE CONNECTEUR 50, PIN #10 ET PIN #11

À PARTIR DU KIT DE FILAGE 315292-1

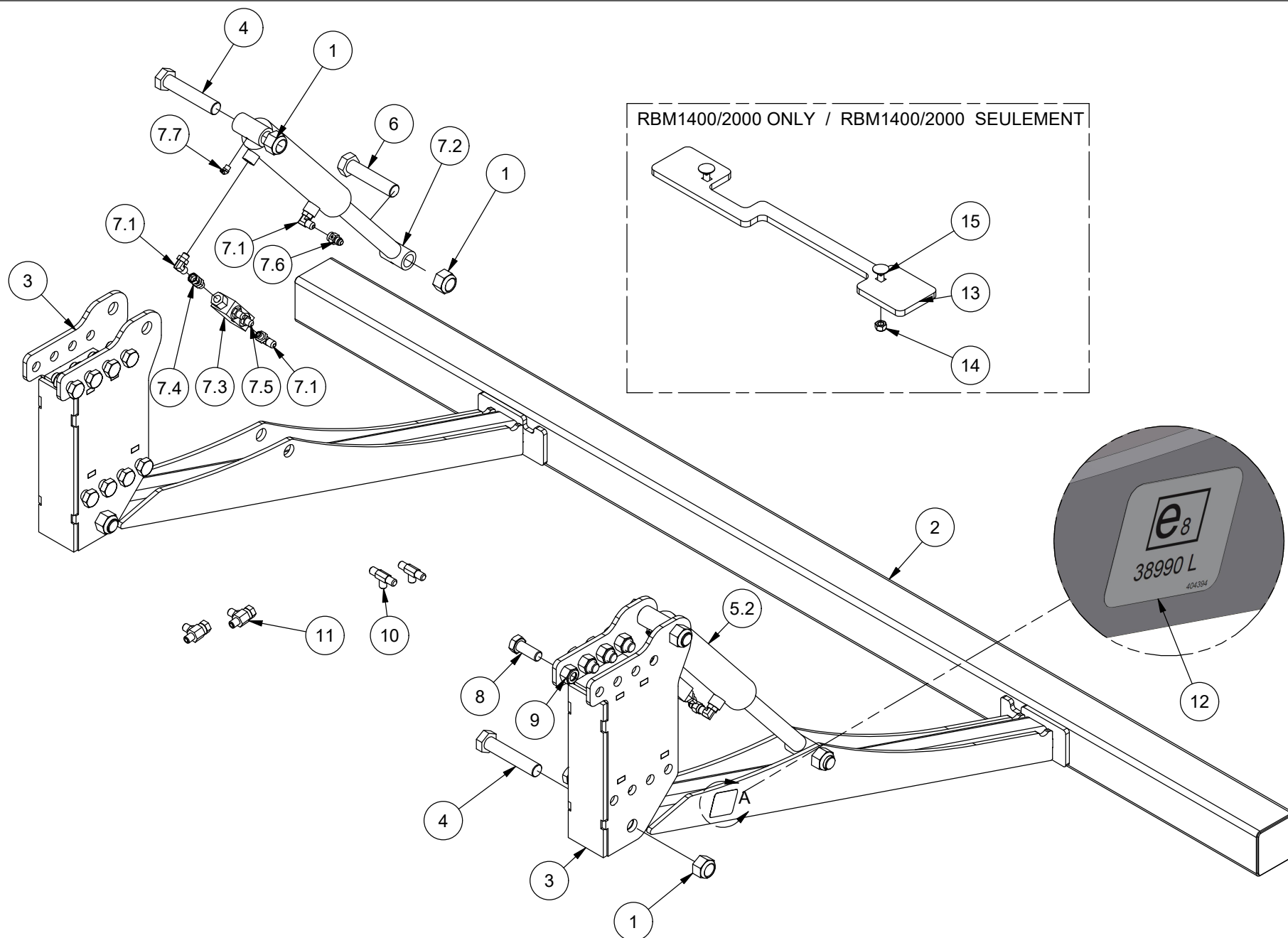
INSÉRER LE FIL VERT DANS LE TROU DE LA PIN #10
INSÉRER LE FIL BRUN DANS LE TROU DE LA PIN #11

ON 50 CONNECTOR, PIN #10 AND PIN #11

ON WIRE KIT 315292-1

INSERT THE GREEN WIRE ON PIN #10
INSERT THE BROWN WIRE ON PIN #11

36 - BARRE ANTI-ENCASTREMENT / UNDERRUNNING BAR

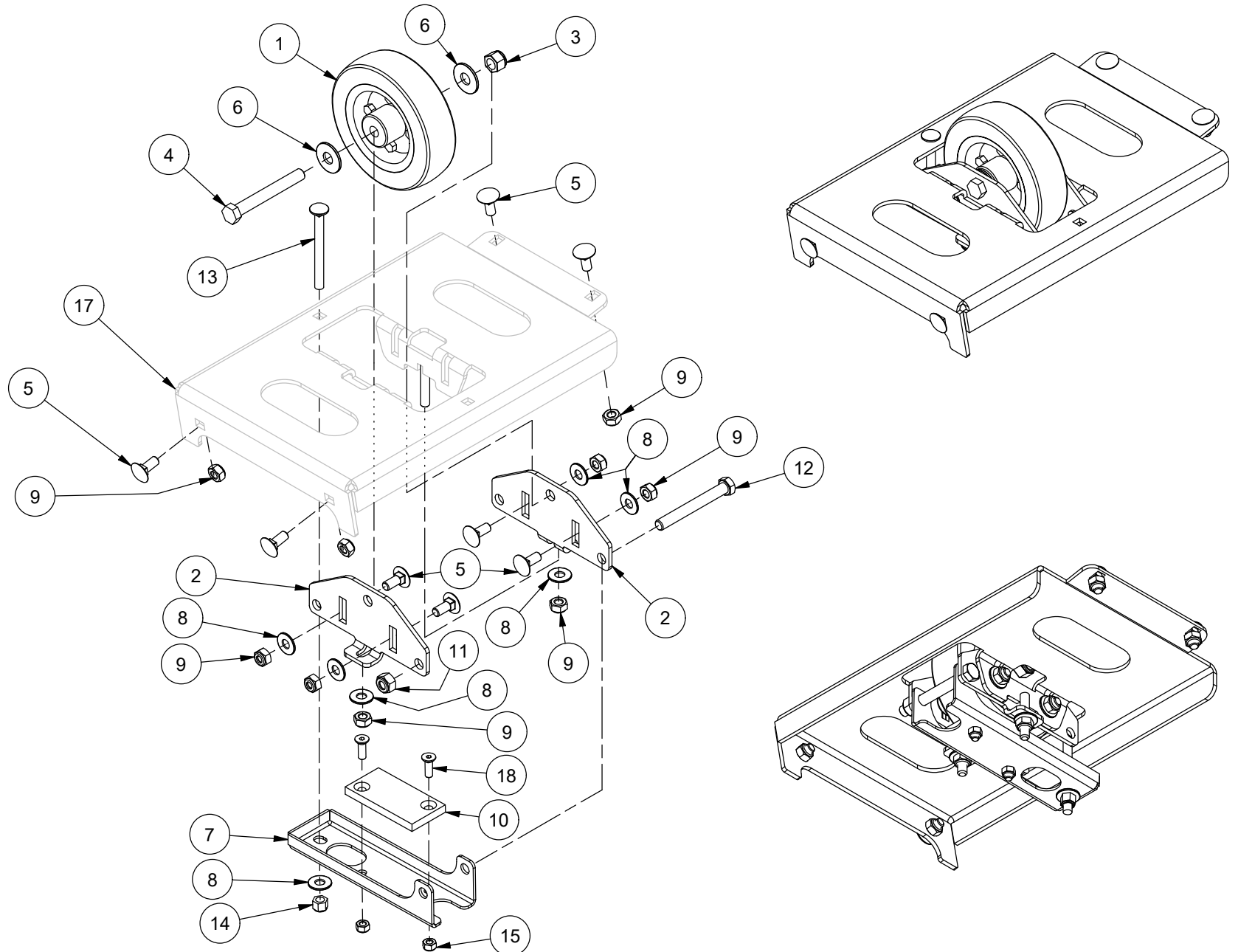


36 - BARRE ANTI-ENCASTREMENT / UNDERRUNNING BAR



| ITEM | QTY | # PIECE | ENGLISH DESCRIPTION | DESCRIPTION FRANCAISE | NOTE |
|------|-----|-------------|-------------------------------------|---|--|
| 1 | 6 | 501037 | HEX NYLON LOCKNUT GR5 1-8 Z | ÉCROU NYLON IND HEX GR5 1-8 Z | |
| 2 | 1 | 079-FRM-DV | REAR UNDERRUN BUMPER | BARRE ANTI-ENCASTREMENT | |
| 3 | 2 | 079-FRM-DW | REAR UNDERRUN BUMPER SUPPORT | SUPPORT BARRE ANTI-ENCASTREMENT | |
| 4 | 4 | 500333 | HEX BOLT GR5 1-8 X 5 Z | BOULON HEX GR5 1-8 X 5 Z | |
| 5.2 | 1 | 467009 | CYLINDER | CYLINDRE | |
| 6 | 2 | 500332 | HEX BOLT GR5 1-8 X 4 1/2 Z | BOULON HEX GR5 1-8 X 4 1/2 Z | |
| 7.1 | 3 | 451260 | 6 M.JIC - 6 M.ORB 90° | 6 M.JIC - 6 M.ORB 90° | |
| 7.2 | 1 | 467009 | CYLINDER | CYLINDRE | |
| 7.3 | 1 | 466989 | HYDRAULIC VALVE | VALVE HYDRAULIQUE | |
| 7.4 | 1 | 451381 | 6 M.ORB - 6 F.JIC TOURN. | 6 M.ORB - 6 F.JIC TOURN. | |
| 7.5 | 2 | 451171 | 6 M.JIC- 6M.ORB | 6 M.JIC- 6M.ORB | |
| 7.6 | 1 | 450574 | 5100-06-06 HOLE 1/32 | 5100-06-06 ORIFICE 1/32 | |
| 7.7 | 1 | 322294-1 | GREASE FITTING 1/8 NPT 90 DG | GRAISSEUR 1/8 NPT 90 DG | |
| 8 | 16 | 506080 | HEX. BOLT M16 X 2.5 X 50mm CL8.8 | BOULON HEX. M20 X 2.5 X 50mm CL8.8 | |
| 9 | 16 | 506038 | NYLON NUT M20 X 2.5 | ECROU NYLON M20 X 2.5 | |
| 10 | 2 | 450862 | HYDRAULIC FITTING | ADAPTEUR HYDRAULIQUE | |
| 11 | 2 | 450972 | F JIC 6 - M JIC 6 TE | F JIC 6 - M JIC 6 TE | |
| 12 | 1 | 404394 | STICKER RBM UNDERRUNNING BAR | DECALQUE RBM BARRE ANTI-ENCASTREMENT | |
| 13 | 1 | 079-TAB-232 | STOPPER | BUTÉE | RBM1400/2000 ONLY / RBM1400/2000 SEULEMENT |
| 14 | 2 | 506040 | NYLON NUT M12 X 1.75 | ECROU NYLON M12 X 1.75 | RBM1400/2000 ONLY / RBM1400/2000 SEULEMENT |
| 15 | 2 | 500719 | CARRIAGE BOLT M12 X 1.75 X 50 CL8.8 | BOULON CAROSSERIE M12 X 1.75 X 50 CL8.8 | RBM1400/2000 ONLY / RBM1400/2000 SEULEMENT |

37 - FREIN DES ROULEAUX DU CONVOYEUR / CONVEYOR ROLLER BRAKE



37 - FREIN DES ROULEAUX DU CONVOYEUR / CONVEYOR ROLLER BRAKE



| ITEM | QT | PART/PIECE | ENGLISH DESCRIPTION | DESCRIPTION FRANCAISE | NOTE |
|------|----|-------------|--|---|------|
| 1 | 1 | 481534 | 6" Pneumatic wheel | Roue gonflée 6" | |
| 2 | 2 | 079-CON-146 | WHEEL SUPPORT PLATE | PLAQUE SUPPORT DE ROUE | |
| 3 | 1 | 501034 | HEX NYLON LOCKNUT GR5 1/2-13 Z | ÉCROU NYLON IND HEX GR5 1/2-13 Z | |
| 4 | 1 | 500189 | HEX BOLT GR5 1/2-13 X 4 | BOULON HEX GR5 1/2-13 X 4 | |
| 5 | 8 | 500700 | CARRIAGE BOLT M10 X 1.50 X 25 CL8.8 | BOULON CARROSSERIE M10 X 1.50 X 25 CL8.8 | |
| 6 | 2 | 502006-1 | FLAT WASHER 1/2 Z | RONDELLE PLATE 1/2 Z | |
| 7 | 1 | 079-CON-148 | CONVOYOR BRAKE SWIVEL PLATE | PLAQUE PIVOTANTE DU FREIN DE CONVOYEUR | |
| 8 | 7 | 502004 | FLAT WASHER 3/8 Z | RONDELLE PLATE 3/8 Z | |
| 9 | 10 | 506039 | NYLON NUT M10 X 1.5 | ECROU NYLON M10 X 1.5 | |
| 10 | 1 | 079-CON-149 | FRICTION PLATE FOR ROLLERS BRAKE | PLAQUE FROTTEMENT POUR FREIN DE ROULEAUX | |
| 11 | 1 | 506040 | NYLON NUT M12 X 1.75 | ECROU NYLON M12 X 1.75 | |
| 12 | 1 | 506103 | HEX. BOLT M12 X 1.75 X 100mm CL8.8 | BOULON HEX. M12 X 1.75 X 100mm CL8.8 | |
| 13 | 1 | 500453 | CARRIAGE BOLT GR5 3/8-16 X 4 Z | BOULON À CARROSSERIE GR5 3/8-16 X 4 Z | |
| 14 | 1 | 501048 | HEX NYLON LOCKNUT GR5 3/8-24 Z | ÉCROU NYLON IND HEX GR5 3/8-24 Z | |
| 15 | 2 | 506051 | NYLON NUT M8 X 1.25 | ECROU NYLON M8 X 1.25 | |
| 17 | 1 | 079-CON-BZ | TIRE SUPPORT ROLLER BRAKE | SUPPORT PNEU FREIN A ROULEAU | |
| 18 | 2 | 507052-1 | HEX FLAT SOCKET HEAD BOLT M8 X 1,25 - 25 | BOULON TÊTE CREUSE PLATE HEX M8 X 1,25 - 25 | |



GROUPE ANDERSON

5125 de la Plaisance
Chesterville (Québec)
CANADA G0P 1J0

Email : support@grpanderson.com
Tel. : 1-819-382-2952
Fax. : 1-819-382-2218
grpanderson.com