

PROCEDURE REF# A-INL-018

Hybrid-X: Adjusting the height of the trigger (square position)

It is important to always adjust the height of the trigger for round bales before making an adjustment for square bales [A-INL-017](#)
Hybrid-X: Adjusting the height of the trigger (square position).

Unscrew or screw in the two nuts, whether you are raising or lowering the trigger (figure 1). This adjustment can be found under the back part of the wrapper.

It is important to do that adjustment when the automatic system is at his home position (neutral). The distance between the top of the trigger and the table must be 2 inches.

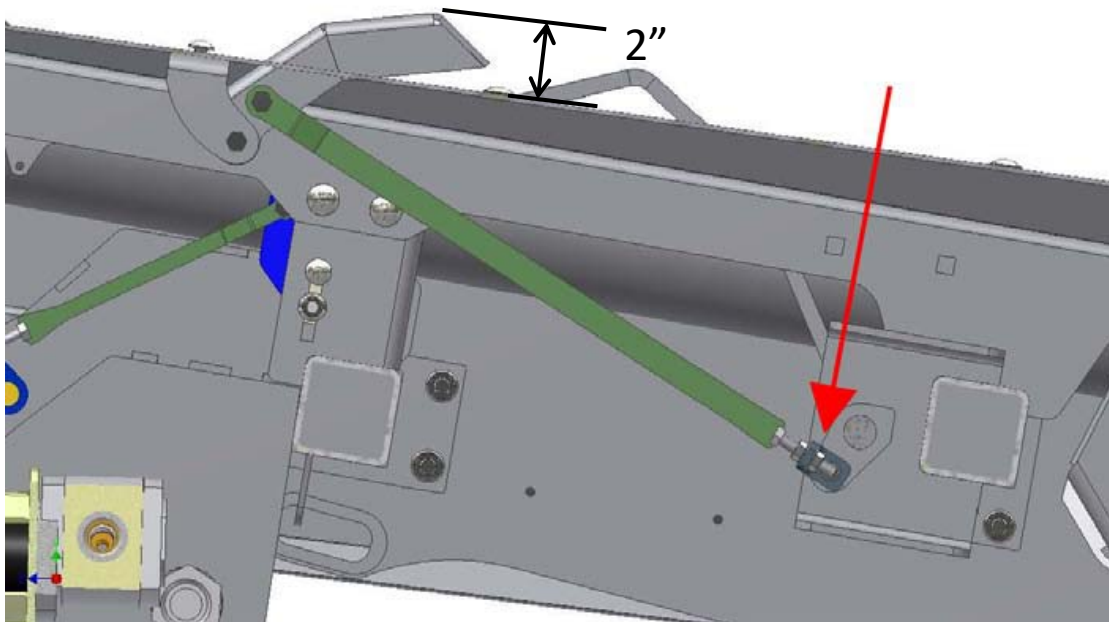


Fig.1