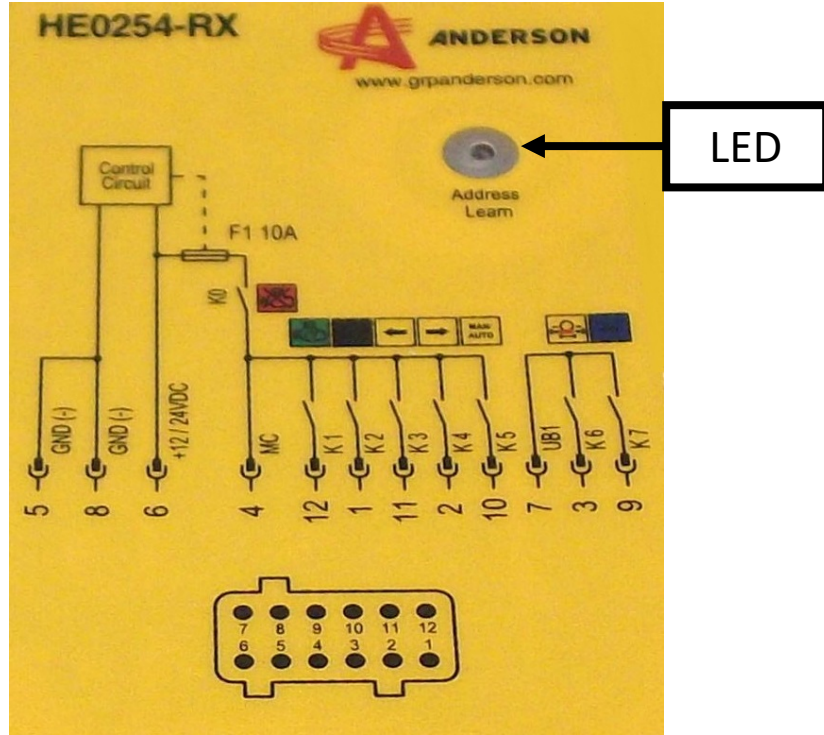


Receiver error codes



Control panel for remote steering receiver

The LEDs of the control panel function are explained in the following table:

LED indicators on control panel

Red LED	Green LED	Yellow LED	Description
On	Off	On	Contact error (output diagram)
Off	Off	Blinking	Waiting for signal
Off	Blinking	Off	Receiving a signal

Tools needed: None

Time required: 5 minutes