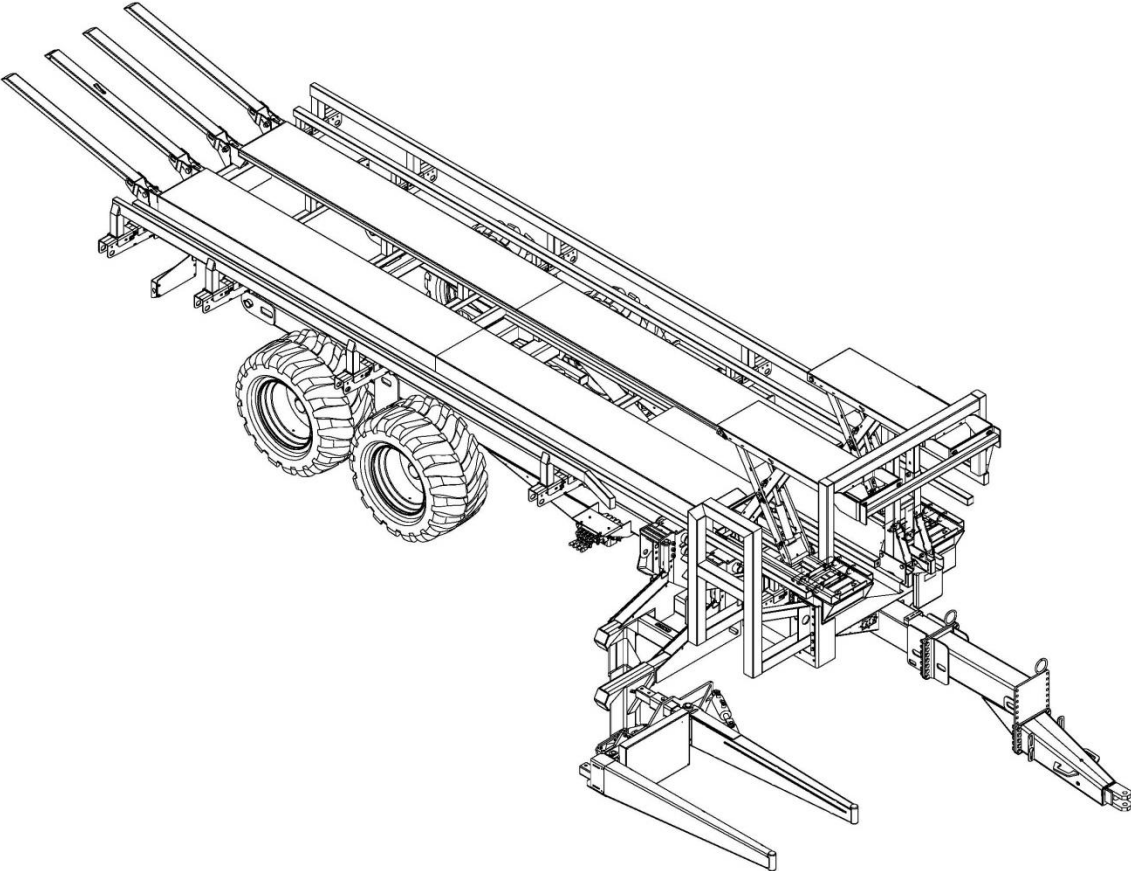


404660-5



**ANDERSON**

*Square bale Trailer*  
*Remorque à balles carrés*  
**TSR3450**



*Parts Manual*  
*Livre de pièces*  
**2019**



## Content / Contenu

00 – GENERAL / GÉNÉRAL  
01 – DRAWBAR / ATTELAGE  
01A – DRAWBAR / ATTELAGE  
01B – DRAWBAR / ATTELAGE  
01C – DRAWBAR / ATTELAGE  
01D – DRAWBAR / ATTELAGE  
01E – DRAWBAR / ATTELAGE  
02 – TRAILER BASE / BASE DE REMORQUE  
02A – TRAILER BASE / BASE DE REMORQUE  
03 – LOADING ARM / BRAS DE CHARGEMENT  
03A – LOADING ARM / BRAS DE CHARGEMENT  
03B – LOADING ARM / BRAS DE CHARGEMENT  
03C – LOADING ARM / BRAS DE CHARGEMENT  
04 – AXLE / ESSIEU 4550 KG (10000 LB)  
04A – AXLE / ESSIEU 5450 KG (12000 LB)  
04B – AXLE / ESSIEU 5450 KG (12000 LB)  
05 – TIRE / PNEU  
06 – DOMPER / DOMPEUR  
07 – PUSH BALE / POUSSOIR DE BALE  
08 – EXTENSION / EXTENSION  
09 – SCISSOR LIFT / ÉLÉVATEUR A CISEAU  
09A – SCISSOR LIFT / ÉLÉVATEUR A CISEAU  
10 – FENCE / BARRIÈRE  
11 – LIGHT / LUMIÈRE  
12 – PARKING BRAKE / FREIN DE STATIONNEMENT  
12A – AIR BRAKE / FREIN À AIR  
12B – HYDRAULIC BRAKE / FREIN HYDRAULIQUE  
E00 – ELECTRICAL / ÉLECTRIQUE  
H01 – DOMPER / DOMPEUR  
H02 – POWER SUPPLY / ALIMENTATION DE PUISSANCE  
H03 – LOADING ARM / BRAS DE CHARGEMENT  
H04 – PUSH BALE / POUSSOIR  
H05 – SCISSOR LIFT / CHARIOT ÉLÉVATEUR  
H06 – HYDRAULIC BRAKE / FREIN HYDRAULIQUE

For any parts order, please use the parts manual to find the item(s) you need and contact your dealer to order t or contact us directly at :

ANDERSON GROUP  
5125 de la Plaisance  
Chesterville (Québec)  
CANADA G0P 1J0  
Fax : (819) 382-2643  
Email : [service@grpanderson.com](mailto:service@grpanderson.com)

Visit our website: [www.grpanderson.com](http://www.grpanderson.com)

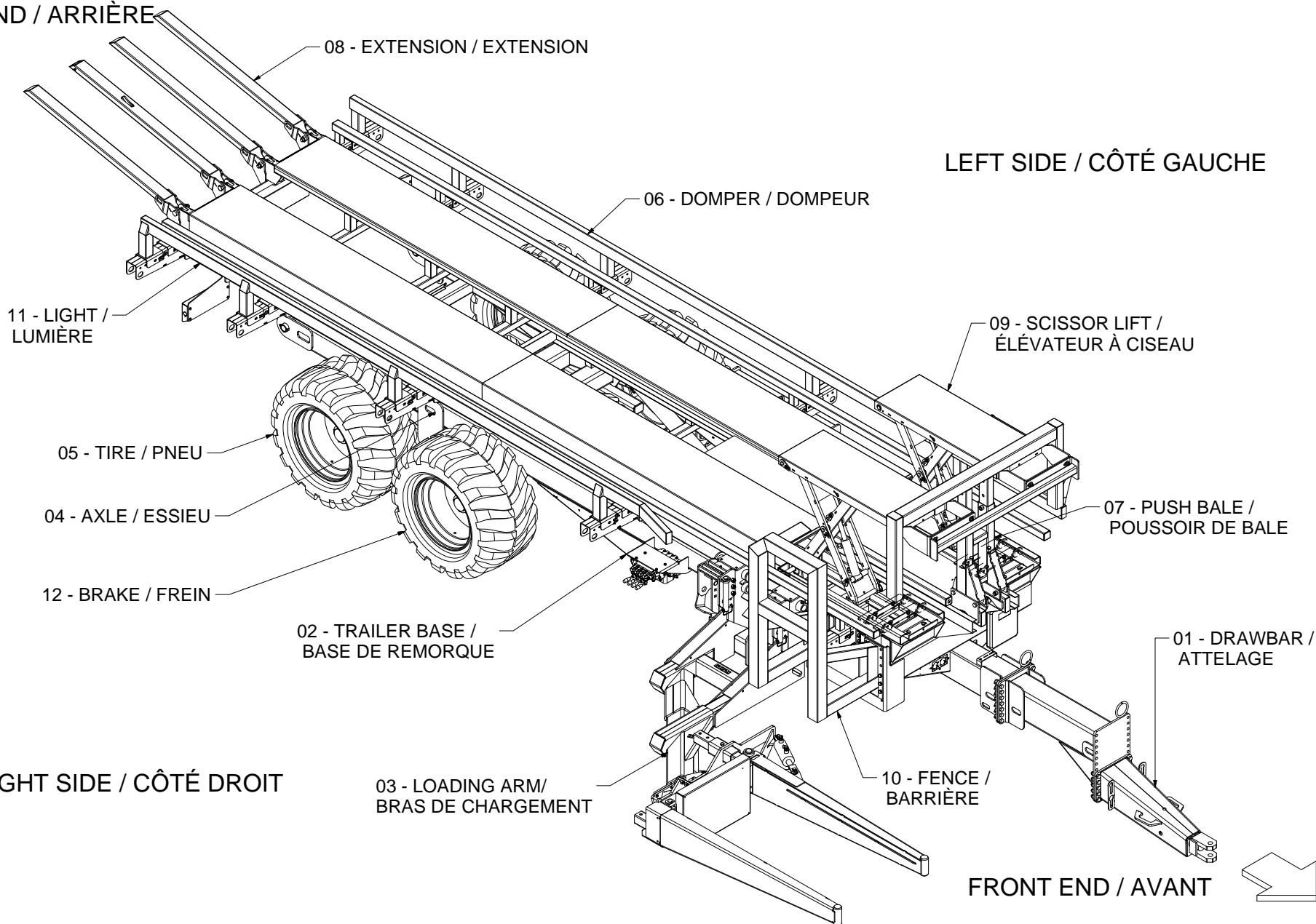


# 00 - GENERAL / GÉNÉRAL



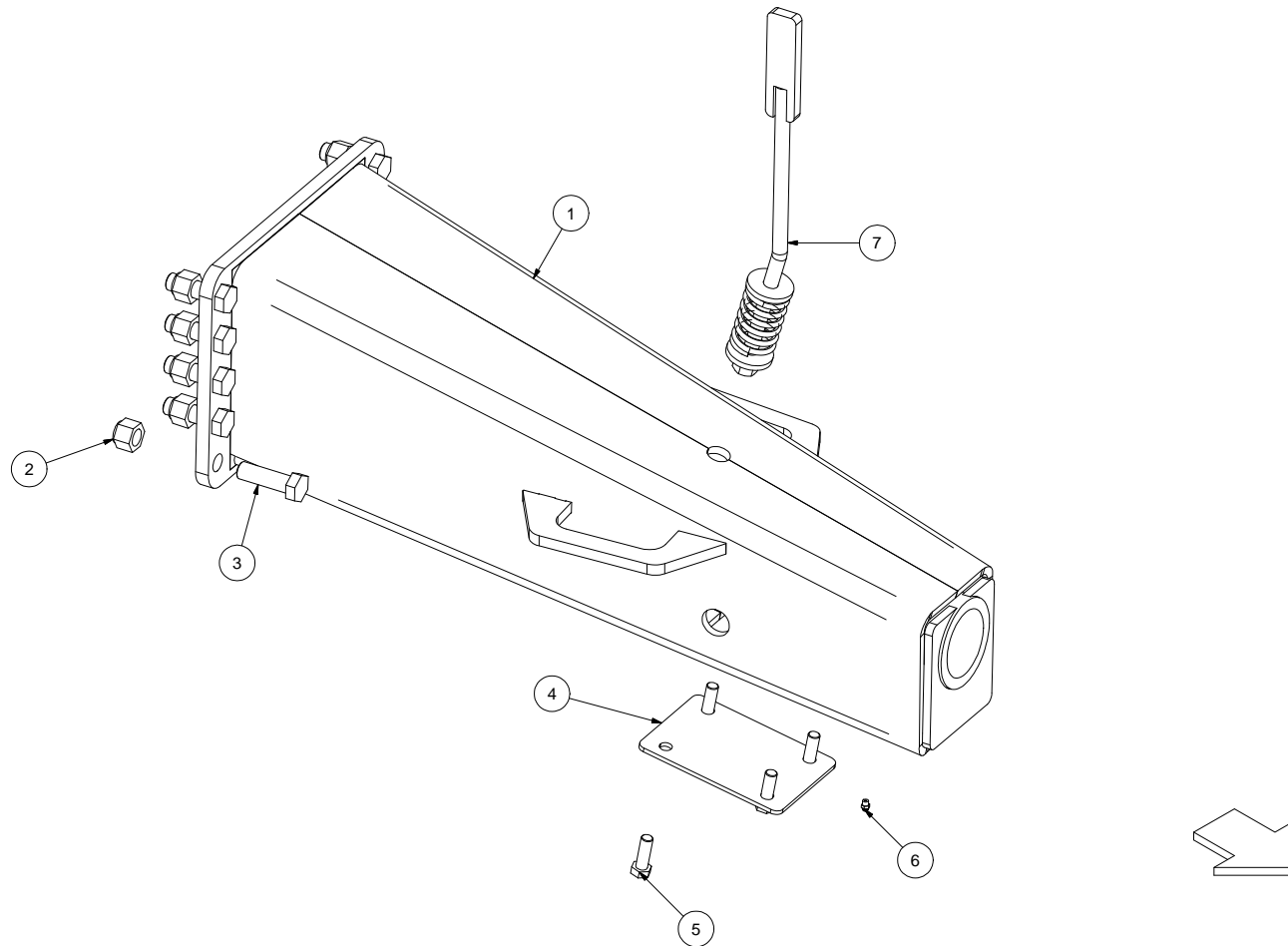
REAR END / ARRIÈRE

LEFT SIDE / CÔTÉ GAUCHE



074-00-GENERAL

# 01 - DRAWBAR / ATTELAGE



074-01-DRAWBAR-2

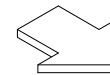
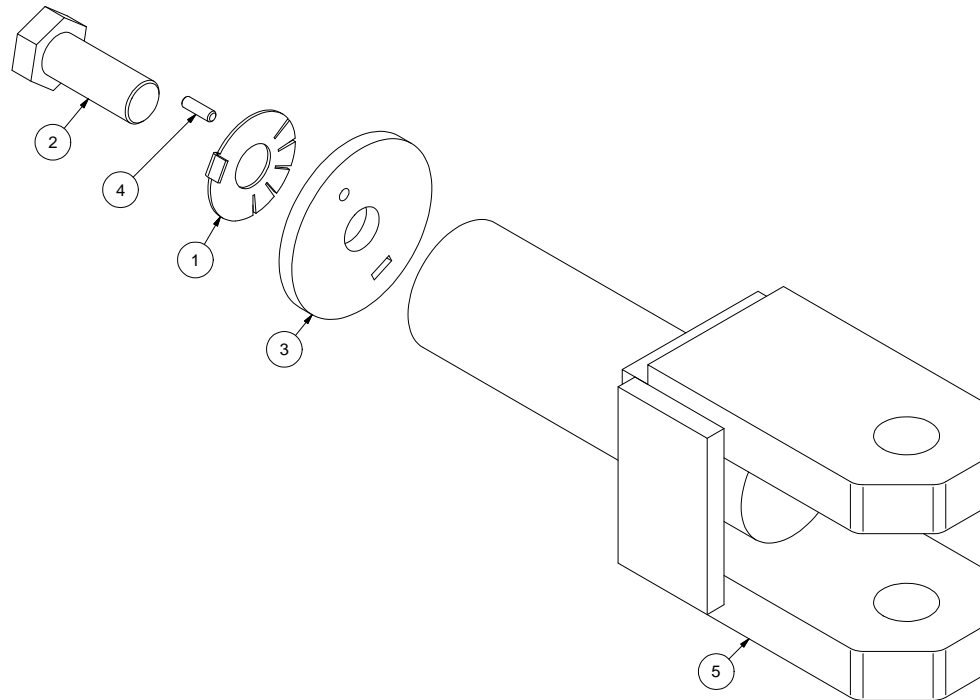
# 01 - DRAWBAR / ATTELAGE



| ITEM | QT | PART/PIECE | ENGLISH DESCRIPTION            | DESCRIPTION FRANCAISE            | NOTE |
|------|----|------------|--------------------------------|----------------------------------|------|
| 1    | 1  | 234820     | DRAWBAR                        | ATTALEGAGE                       |      |
| 2    | 10 | 501036-1   | HEX NYLON LOCKNUT GR8 3/4-16 Z | ÉCROU NYLON IND HEX GR8 3/4-16 Z |      |
| 3    | 10 | 500213-2   | HEX BOLT GR8 3/4-16 X 2 1/2    | BOULON HEX GR8 3/4-16 X 2 1/2    |      |
| 4    | 1  | 234195     | CONE PLATE                     | PLAQUE DE CÔNE                   |      |
| 5    | 4  | 500177     | HEX BOLT GR5 1/2-13 X 1 1/2    | BOULON HEX GR5 1/2-13 X 1 1/2    |      |
| 6    | 1  | 322299     | GREASE FITTING                 | GRAISSEUR                        |      |
| 7    | 1  | 234863     | HYDRAULIC HOSE HOLDER          | SUPPORT DE BOYAU                 |      |

074-01-DRAWBAR-2

# 01A - DRAWBAR / ATTELAGE



074-01A-DRAWBAR

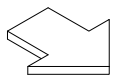
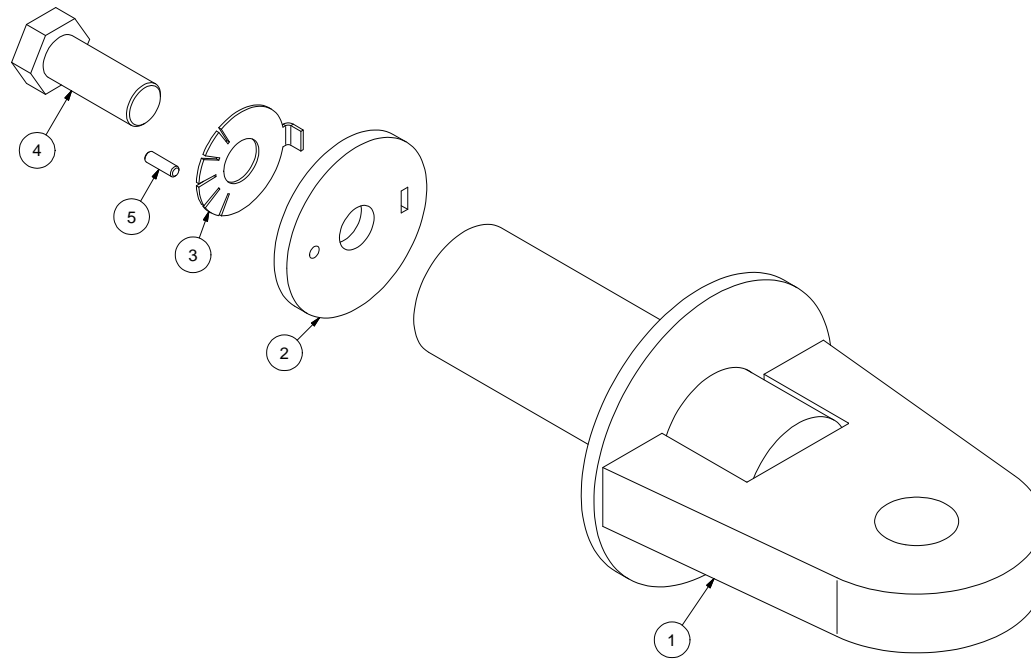
# 01A - DRAWBAR / ATTELAGE



| ITEM | QT | PART/PIECE | ENGLISH DESCRIPTION | DESCRIPTION FRANCAISE | NOTE |
|------|----|------------|---------------------|-----------------------|------|
| 1    | 1  | 234106     | LOCK WASHER         | RONDELLE DE BLOCAGE   |      |
| 2    | 1  | 500324-1   | BOLT                | BOULON                |      |
| 3    | 1  | 485179     | BRACKET             | FERRURE               |      |
| 4    | 1  | 206602-01  | ROD                 | BARRE                 |      |
| 5    | 1  | 234193     | DRAW BAR            | MAIN                  |      |

074-01A-DRAWBAR

# 01B - DRAWBAR / ATTELAGE



074-01B-DRAWBAR

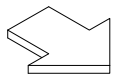
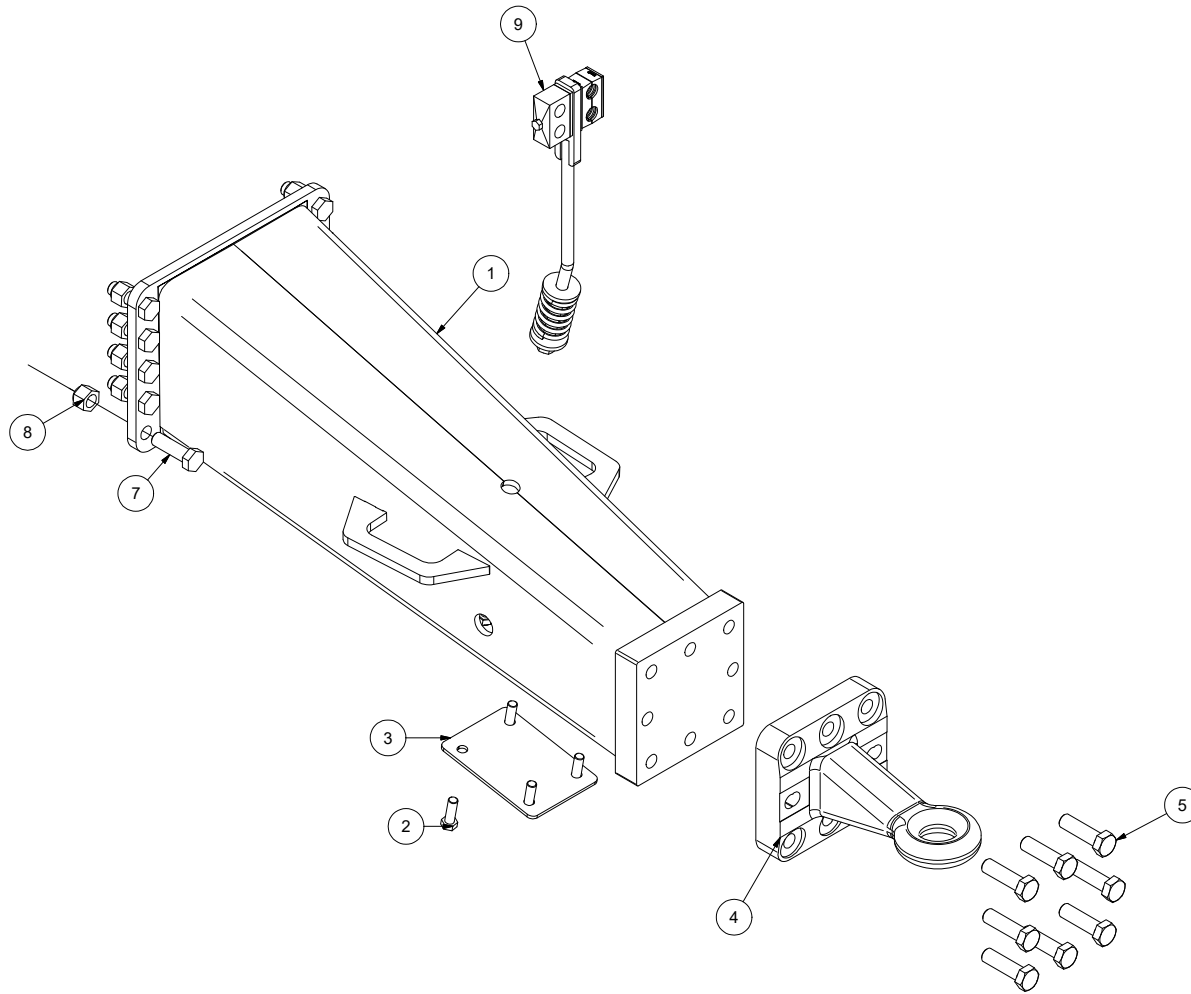
# 01B - DRAWBAR / ATTELAGE



| ITEM | QT | PART/PIECE | ENGLISH DESCRIPTION | DESCRIPTION FRANCAISE | NOTE |
|------|----|------------|---------------------|-----------------------|------|
| 1    | 1  | 234229     | DRAW BAR            | MAIN                  |      |
| 2    | 1  | 485179     | BRACKET             | FERRURE               |      |
| 3    | 1  | 234106     | LOCK WASHER         | RONDELLE DE BLOCAGE   |      |
| 4    | 1  | 500324-1   | BOLT                | BOULON                |      |
| 5    | 1  | 206602-01  | ROD                 | BARRE                 |      |

074-01B-DRAWBAR

# 01C - DRAWBAR / ATTELAGE



074-01C-DRAWBAR-2

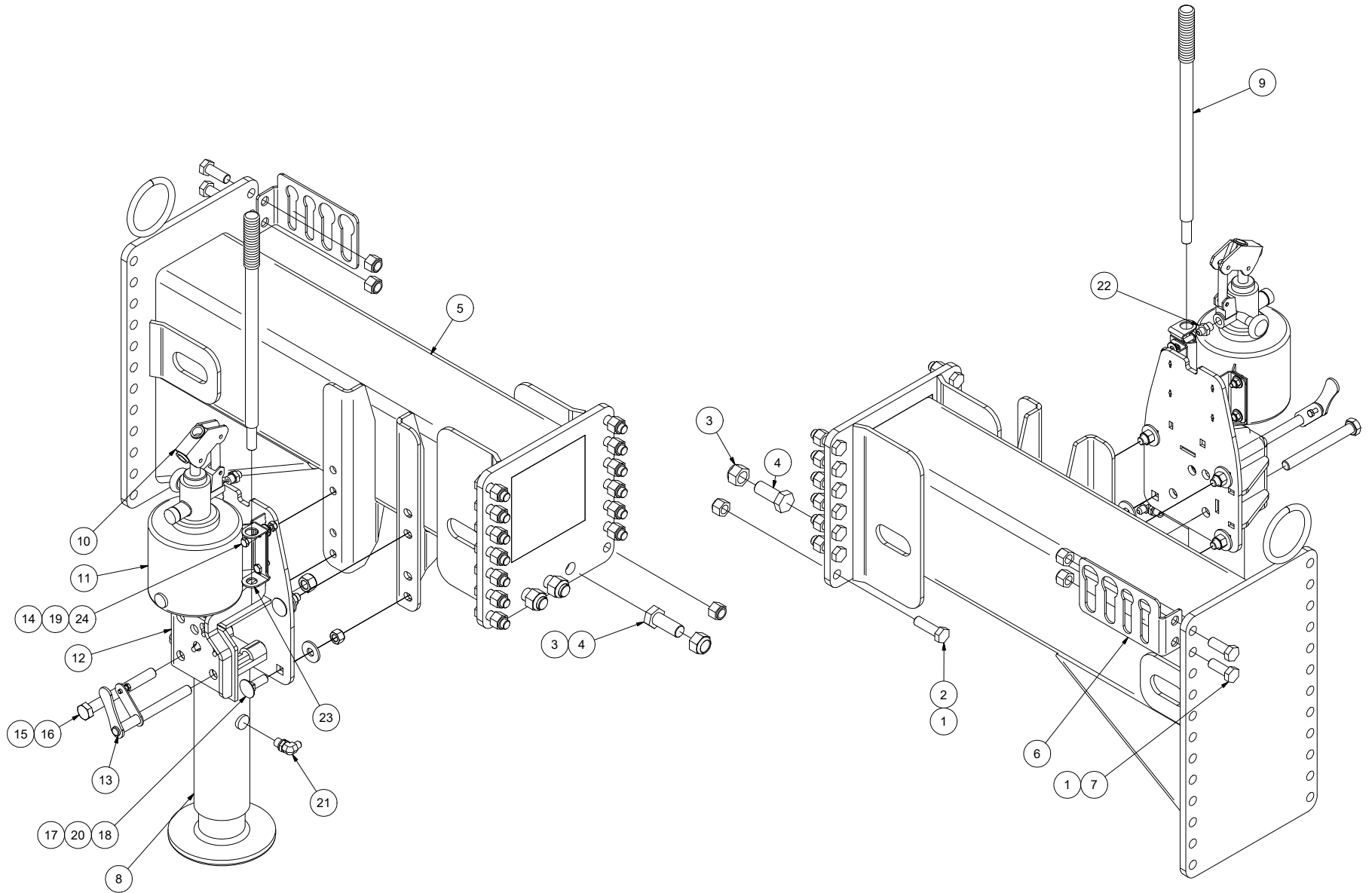
# 01C - DRAWBAR / ATTELAGE



| ITEM | QT | PART/PIECE | ENGLISH DESCRIPTION              | DESCRIPTION FRANCAISE              | NOTE |
|------|----|------------|----------------------------------|------------------------------------|------|
| 1    | 1  | 234821     | DRAWBAR                          | ATTELAGE                           |      |
| 2    | 4  | 500177     | HEX BOLT GR5 1/2-13 X 1 1/2      | BOULON HEX GR5 1/2-13 X 1 1/2      |      |
| 3    | 1  | 234195     | CONE PLATE                       | PLAQUE DE CÔNE                     |      |
| 4    | 1  | 213078     | TWING EYE COUPLING               | MAIN À ANNEAU                      |      |
| 5    | 8  | 506128     | HEX. BOLT M20 X 2.5 X 70mm CL8.8 | BOULON HEX. M20 X 2.5 X 70mm CL8.8 |      |
| 7    | 10 | 500213-2   | HEX BOLT GR8 3/4-16 X 2 1/2      | BOULON HEX GR8 3/4-16 X 2 1/2      |      |
| 8    | 10 | 501039     | HEX NYLON LOCKNUT GR8 3/4-16 Z   | ÉCROU NYLON IND HEX GR8 3/4-16 Z   |      |
| 9    | 1  | 234863     | HYDRAULIC HOSE HOLDER            | SUPPORT DE BOYAU                   |      |

074-01C-DRAWBAR-2

# 01D - DRAWBAR / ATTELAGE



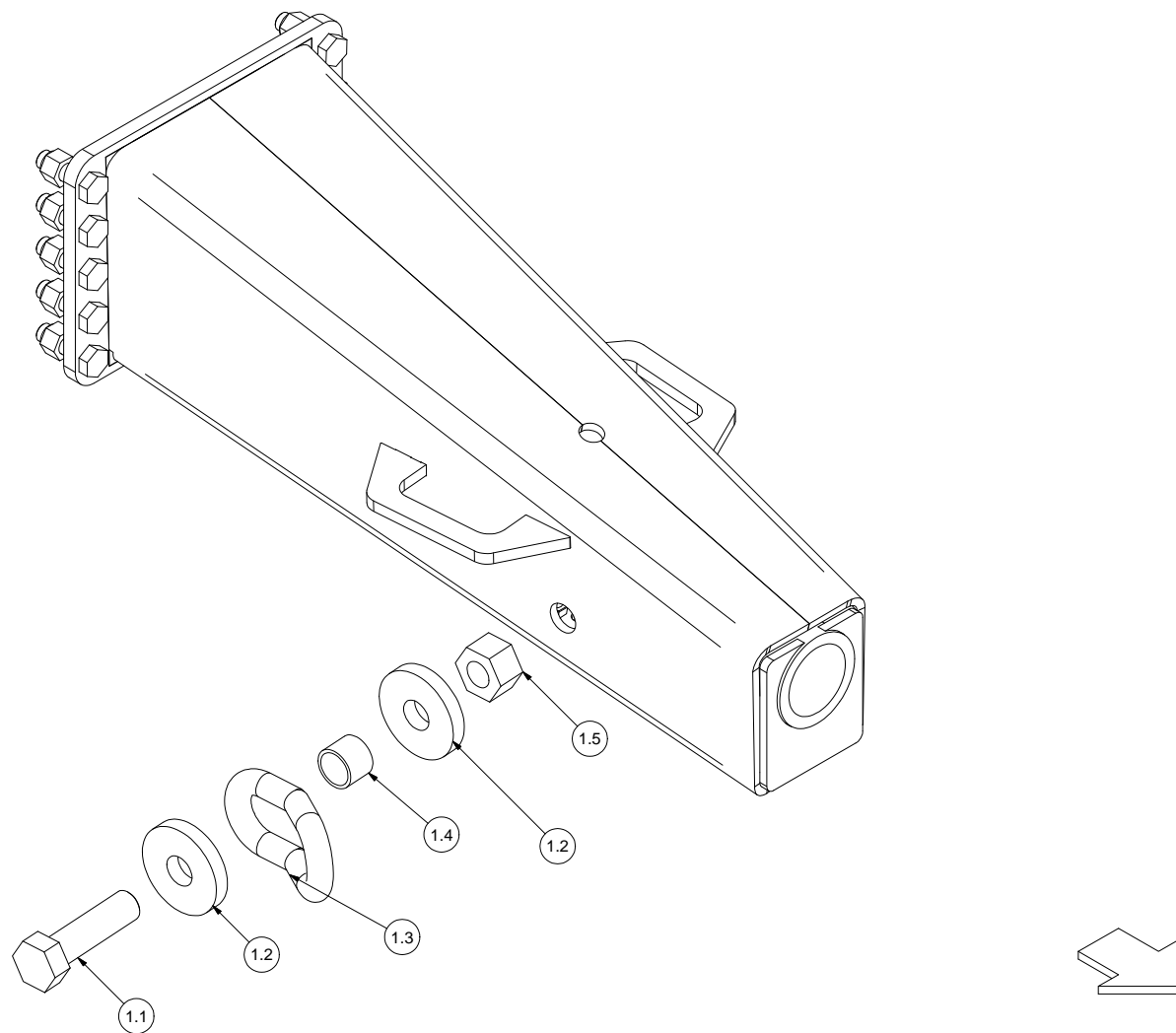
# 01D - DRAWBAR / ATTELAGE



| ITEM | QT | PART/PIECE  | ENGLISH DESCRIPTION                | DESCRIPTION FRANCAISE               | NOTE |
|------|----|-------------|------------------------------------|-------------------------------------|------|
| 1    | 16 | 501039      | HEX NYLON LOCKNUT GR8 3/4-16 Z     | ÉCROU NYLON IND HEX GR8 3/4-16 Z    |      |
| 2    | 14 | 500213-2    | HEX BOLT GR8 3/4-16 X 2 1/2        | BOULON HEX GR8 3/4-16 X 2 1/2       |      |
| 3    | 3  | 501037      | HEX NYLON LOCKNUT GR5 1-8 Z        | ÉCROU NYLON IND HEX GR5 1-8 Z       |      |
| 4    | 3  | 500324-1    | HEX BOLT GR8 1-14 X 2 1/2 Z        | BOULON HEX GR8 1-14 X 2 1/2 Z       |      |
| 5    | 1  | 234862-1    | DRAWBAR EXTENSION                  | EXTENSION ATTELAGE                  |      |
| 6    | 1  | 219033      | HYDRAULIC HOSE SUPPORT             | SUPPORT DE BOYAUX HYDRAULIQUE       |      |
| 7    | 2  | 500213-1    | HEX BOLT GR8 3/4-16 X 2            | BOULON HEX GR8 3/4-16 X 2           |      |
| 8    | 1  | 250027      | JACK FEET                          | BÉQUILLE SANS CYLINDRE              |      |
| 9    | 1  | 250030      | JACK LEVER                         | LEVIER DE CRIC                      |      |
| 10   | 1  | 250028      | JACK HAND PUMP                     | POMPE À MAIN DE CRIC                |      |
| 11   | 1  | 250029      | JACK OIL TANK                      | RÉSERVOIR DU CRIC                   |      |
| 12   | 1  | 090-FRM-AF  | JACK SUPPORT                       | SUPPORT DE BÉQUILLE                 |      |
| 13   | 1  | 090-PIE-AB  | JACK PIN                           | GOUPILLE DE BÉQUILLE                |      |
| 14   | 4  | 506039      | NYLON NUT M10 X 1.5                | ECROU NYLON M10 X 1.5               |      |
| 15   | 1  | 506038      | NYLON NUT M20 X 2.5                | ECROU NYLON M20 X 2.5               |      |
| 16   | 1  | 506137      | HEX. BOLT M16 X 2.5 X 180mm CL8.8  | BOULON HEX. M20 X 2.5 X 180mm CL8.8 |      |
| 17   | 4  | 506037      | NYLON NUT M16 X 2                  | ECROU NYLON M16 X 2                 |      |
| 18   | 4  | 506154      | CARRIAGE BOLT M16 X 2 X 50 CL8.8   | CBZ M16 - 2.00 X 50MM CL8.8         |      |
| 19   | 4  | 502004      | FLAT WASHER 3/8 Z                  | RONDELLE PLATE 3/8 Z                |      |
| 20   | 4  | 502008      | FLAT WASHER 5/8 Z                  | RONDELLE PLATE 5/8 Z                |      |
| 21   | 1  | 452620      | 6 M.JIC - 6 M.BSPP                 | 6 M.JIC - 6 M.BSPP                  |      |
| 22   | 1  | 451359      | 82505-6-6 ADAP. MALE JIC/MALE BSPP | 82505-6-6 ADAP. MALE JIC/MALE BSPP  |      |
| 23   | 1  | 090-PIE-001 | LEVER HOLDER                       | PORTE-LEVIER                        |      |
| 24   | 4  | 506009-1    | HEX. BOLT M10 X 1.5 X 25mm CL8.8   | BOULON HEX. M10 X 1.5 X 25mm CL8.8  |      |

074-01D-DRAWBAR

# 01E - DRAWBAR / ATTELAGE



074-01E-DRAWBAR

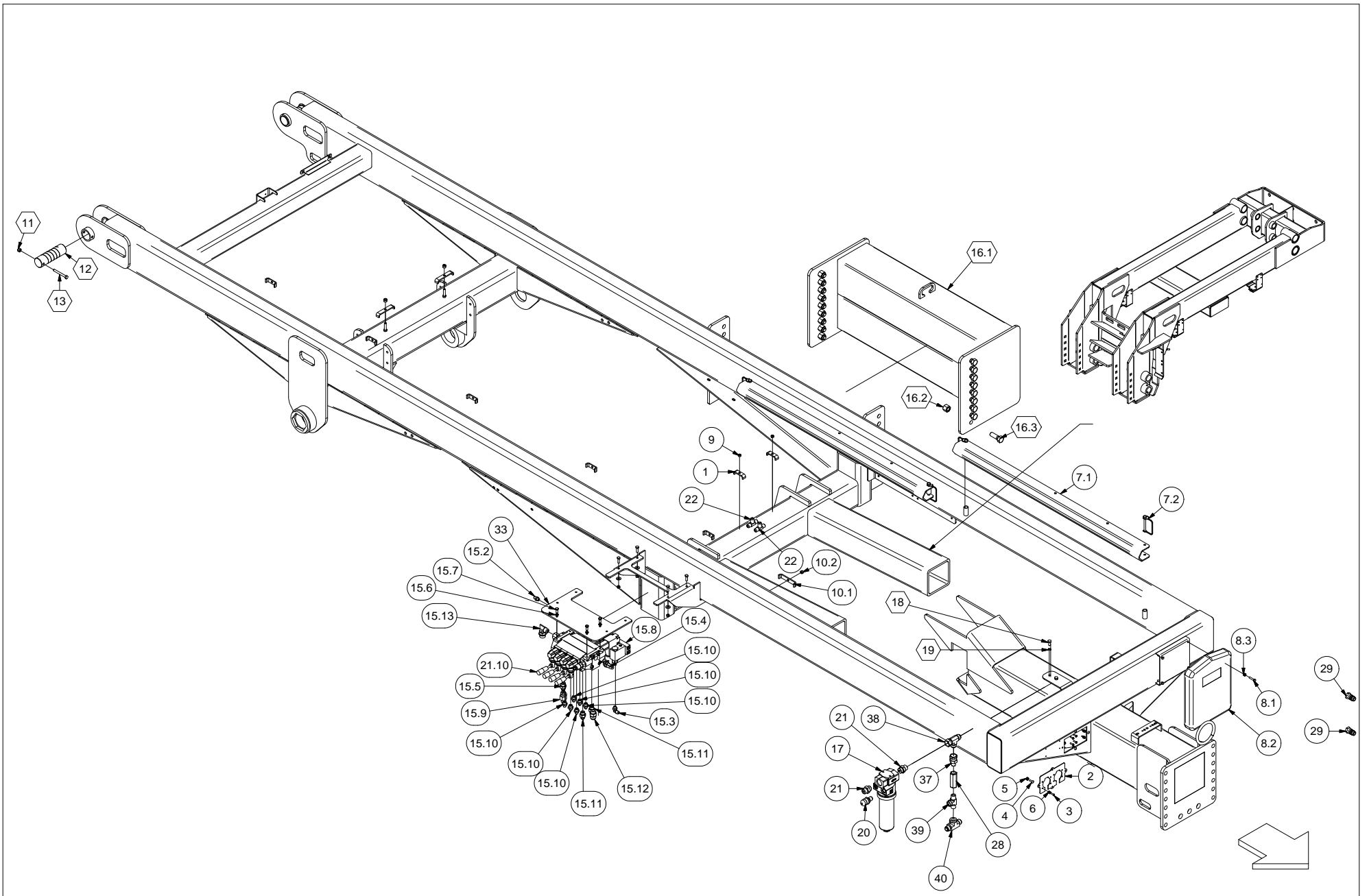
# 01E - DRAWBAR / ATTELAGE



| ITEM | QT | PART/PIECE | ENGLISH DESCRIPTION             | DESCRIPTION FRANCAISE             | NOTE |
|------|----|------------|---------------------------------|-----------------------------------|------|
| 1.1  | 1  | 500352     | BOLT                            | BOULON                            |      |
| 1.2  | 2  | 234234     | WASHER                          | RONDELLE                          |      |
| 1.3  | 1  | 302021     | SAFETY CHAIN                    | CHAINE DE SÉCURITÉ                |      |
| 1.4  | 1  | 234233     | SPACER                          | ESPACEUR                          |      |
| 1.5  | 1  | 501078     | HEX NYLON LOCKNUT GR5 1 1/4-7 Z | ÉCROU NYLON IND HEX GR5 1 1/4-7 Z |      |

074-01E-DRAWBAR

# 02 - TRAILER BASE / BASE DE REMORQUE



074-02-TRAILER BASE

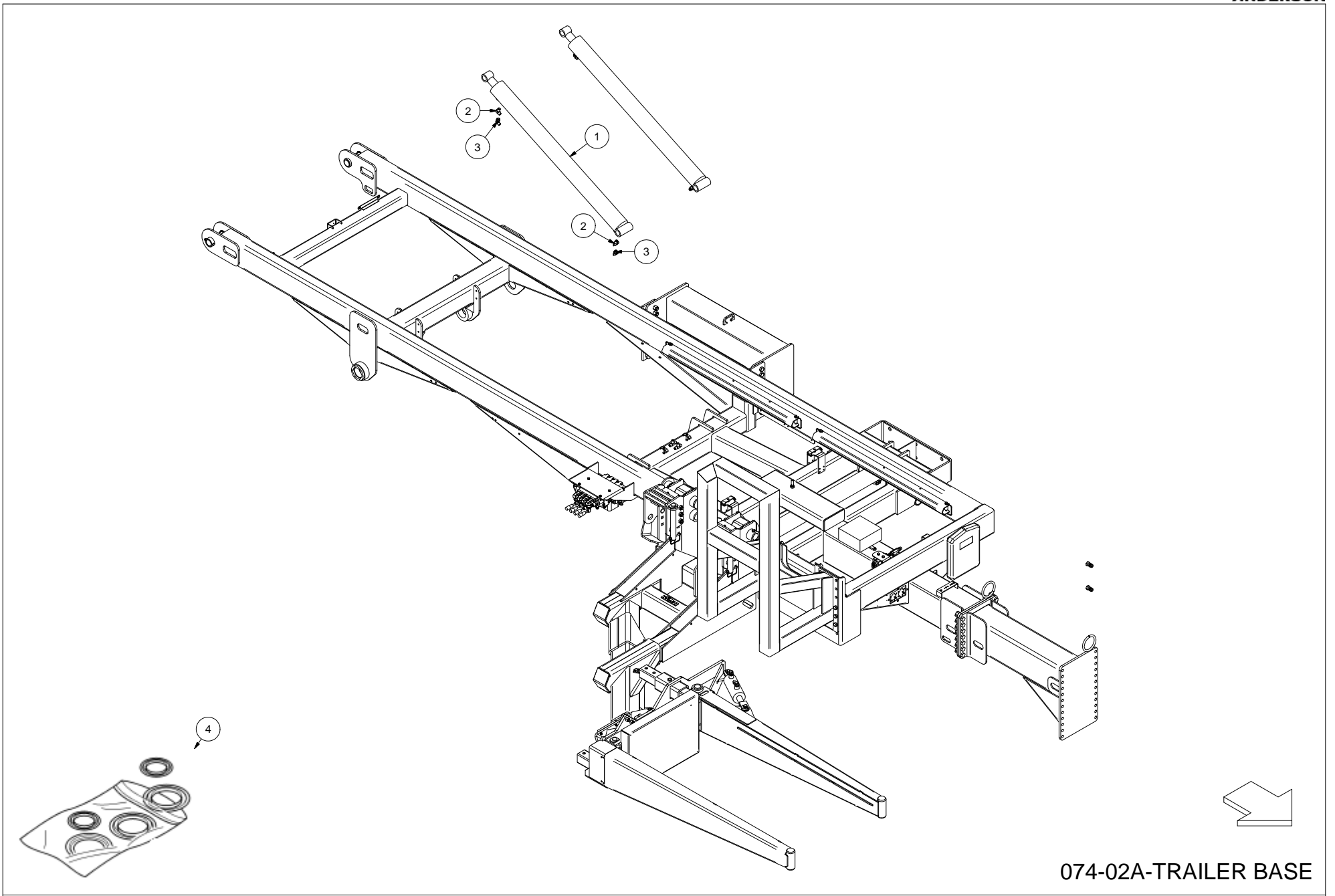
# 02 - TRAILER BASE / BASE DE REMORQUE



| ITEM  | QT | PART/PIECE                           | ENGLISH DESCRIPTION                      | DESCRIPTION FRANCAISE                         | NOTE |
|-------|----|--------------------------------------|--|---|------|
| 1     | 2  | 234020                               | HOSE CLIP                                | ATTACHE TUYAU HYDRAULIQUE                     |      |
| 2     | 1  | P00202                               | WIRE SUPPORT PLATE                       | PLAQUE SUPPORT DE FILS                        |      |
| 3     | 8  | 507042                               | BUTTON HEAD SCREW                        | VIS À MACHINE                                 |      |
| 4     | 4  | 507097                               | BUTTON HEAD SCREW                        | VIS À MACHINE                                 |      |
| 5     | 4  | 501030                               | HEX NYLON LOCKNUT GR5 1/4-20 Z           | ÉCROU NYLON IND HEX GR5 1/4-20 Z              |      |
| 6     | 8  | 501050                               | HEX NYLON LOCKNUT GR5 10-24 Z            | ÉCROU NYLON IND HEX GR5 10-24 Z               |      |
| 7.1   | 1  | 234564                               | STROKE LIMITER                           | LIMITEUR DE COURSE                            |      |
| 7.2   | 2  | 320023-1                             | LOCK PIN 3IN                             | GOUPILLE DE VEROUILLAGE 3PO                   |      |
| 8.1   | 4  | 500008                               | HEX BOLT GR5 1/4-20 X 1 1/4              | BOULON HEX GR5 1/4-20 X 1 1/4                 |      |
| 8.2   | 1  | 325109-1                             | MANUAL CASE                              | BOITIER DU MANUEL                             |      |
| 8.3   | 4  | 501030                               | HEX NYLON LOCKNUT GR5 1/4-20 Z           | ÉCROU NYLON IND HEX GR5 1/4-20 Z              |      |
| 9     | 6  | 501031                               | HEX NYLON LOCKNUT GR5 5/16-18 Z          | ÉCROU NYLON IND HEX GR5 5/16-18 Z             |      |
| 10.1  | 1  | 234019                               | HYDRAULIC HOSE CLIP                      | ATTACHE TUYAU HYDRAULIQUE                     |      |
| 10.2  | 1  | 501031                               | HEX NYLON-INSERT LOCKNUT 5/16 - 18 GR2 Z | ÉCROU FREINÉ INSERT-NYLON HEX 5/16 - 18 GR2 Z |      |
| 11    | 4  | 501032                               | HEX NYLON LOCKNUT GR5 3/8-16 Z           | ÉCROU NYLON IND HEX GR5 3/8-16 Z              |      |
| 12    | 2  | 485118                               | PLATFORM AXLE                            | AXE DE PLATE FORME                            |      |
| 13    | 2  | 500100                               | HEX BOLT GR5 3/8-16 X 3 1/4              | BOULON HEX GR5 3/8-16 X 3 1/4                 |      |
| 15.2  | 1  | 451171                               | 6 M.JIC- 6M.ORB                          | 6 M.JIC- 6M.ORB                               |      |
| 15.3  | 1  | 451260                               | 6 M.JIC - 6 M.ORB 90°                    | 6 M.JIC - 6 M.ORB 90°                         |      |
| 15.4  | 1  | 451262                               | 6 M.JIC - 10 M.ORB 90°                   | 6 M.JIC - 10 M.ORB 90°                        |      |
| 15.5  | 1  | 451179                               | HYDRAULIC FITTING                        | ADAPTEUR HYDRAULIQUE                          |      |
| 15.6  | 4  | 502046                               | SPLIT SPRING LOCKWASHER 5/16 Z           | RONDELLE FREINÉE À RESSORT FENDUE 5/16 Z      |      |
| 15.7  | 4  | 506000                               | HEX BOLT M8 X 1,25 - 20 CL8.8 Z          | BOULON HEX M8 X 1,25 - 20 CL8.8 Z             |      |
| 15.8  | 1  | 465869                               | SD8-4BC-181714 HYDRAULIC VALVE           | ROBINET HYDRAULIQUE SD8-4BC-181714            |      |
| 15.9  | 1  | 450973                               | HYDRAULIC FITTING                        | ADAPTEUR HYDRAULIQUE                          |      |
| 15.10 | 6  | 451172                               | HYDRAULIC FITTING                        | ADAPTEUR HYDRAULIQUE                          |      |
| 15.11 | 2  | 451178                               | 8 M.JIC - 8 M.ORB                        | 8 M.JIC - 8 M.ORB                             |      |
| 15.12 | 1  | 451189                               | 12 M.JIC - 10 M.ORB                      | 12 M.JIC - 10 M.ORB                           |      |
| 15.13 | 1  | 451275                               | 12 M.JIC - 8 M.ORB 90°                   | 12 M.JIC - 8 M.ORB 90°                        |      |
| 16.1  | 1  |                                      | BALLAST                                  | BALLAST                                       |      |
| 16.2  | 18 | 501036                               | HEX NYLON-INSERT LOCKNUT 3/4 - 10 GR2 Z  | ÉCROU FREINÉ INSERT-NYLON HEX 3/4 - 10 GR2 Z  |      |
| 16.3  | 18 | 500286                               | HEX BOLT 3/4-10 UNC X 2,25 GR5 Z         | BOULON HEX 3/4-10 UNC X 2,25 GR5 Z            |      |
| 17    | 1  | 470000                               | OIL FILTER                               | FILTRE HUILE                                  |      |
| 18    | 2  | 500082                               | HEX BOLT GR5 3/8-16 X 3/4                | BOULON HEX GR5 3/8-16 X 3/4                   |      |
| 19    | 2  | 502045                               | LOCK WASHER 3/8                          | RONDELLE DE BLOCAGE 3/8                       |      |
| 20    | 1  | 470000-1 (INCLUS AVEC FILTRE 470000) | PRESSURE GAUGE                           | JAUGE À PRESSION                              |      |
| 21    | 2  | 451192                               | HYDRAULIC FITTING                        | ADAPTEUR HYDRAULIQUE                          |      |
| 22    | 2  | 450863                               | HYDRAULIC FITTING                        | ADAPTEUR HYDRAULIQUE                          |      |
| 28    | 1  | 465916                               | HYDRAULIC FITTING                        | VALVE-ANTI-RETOUR-HBS-1000-4-65               |      |
| 29    | 2  | 452000                               | HYDRAULIC FITTING                        | ADAPTEUR HYDRAULIQUE                          |      |
| 33    | 1  | 234993                               | BLOCK VALVE SUPPORT                      | SUPPORT DU BLOC VALVE                         |      |
| 37    | 1  | 450999                               | 12 F.JIC - 8 M.NPT                       | 12 F.JIC - 8 M.NPT                            |      |
| 38    | 1  | 450975                               | HYDRAULIC FITTING                        | ADAPTEUR HYDRAULIQUE                          |      |
| 39    | 1  | 450253                               | 8 F.NPT - M.NPT                          | 8 F.NPT - M.NPT                               |      |
| 40    | 1  | 450849                               | HYDRAULIC FITTING                        | ADAPTEUR HYDRAULIQUE                          |      |

074-02-TRAILER BASE

# 02A - TRAILER BASE / BASE DE REMORQUE



074-02A-TRAILER BASE

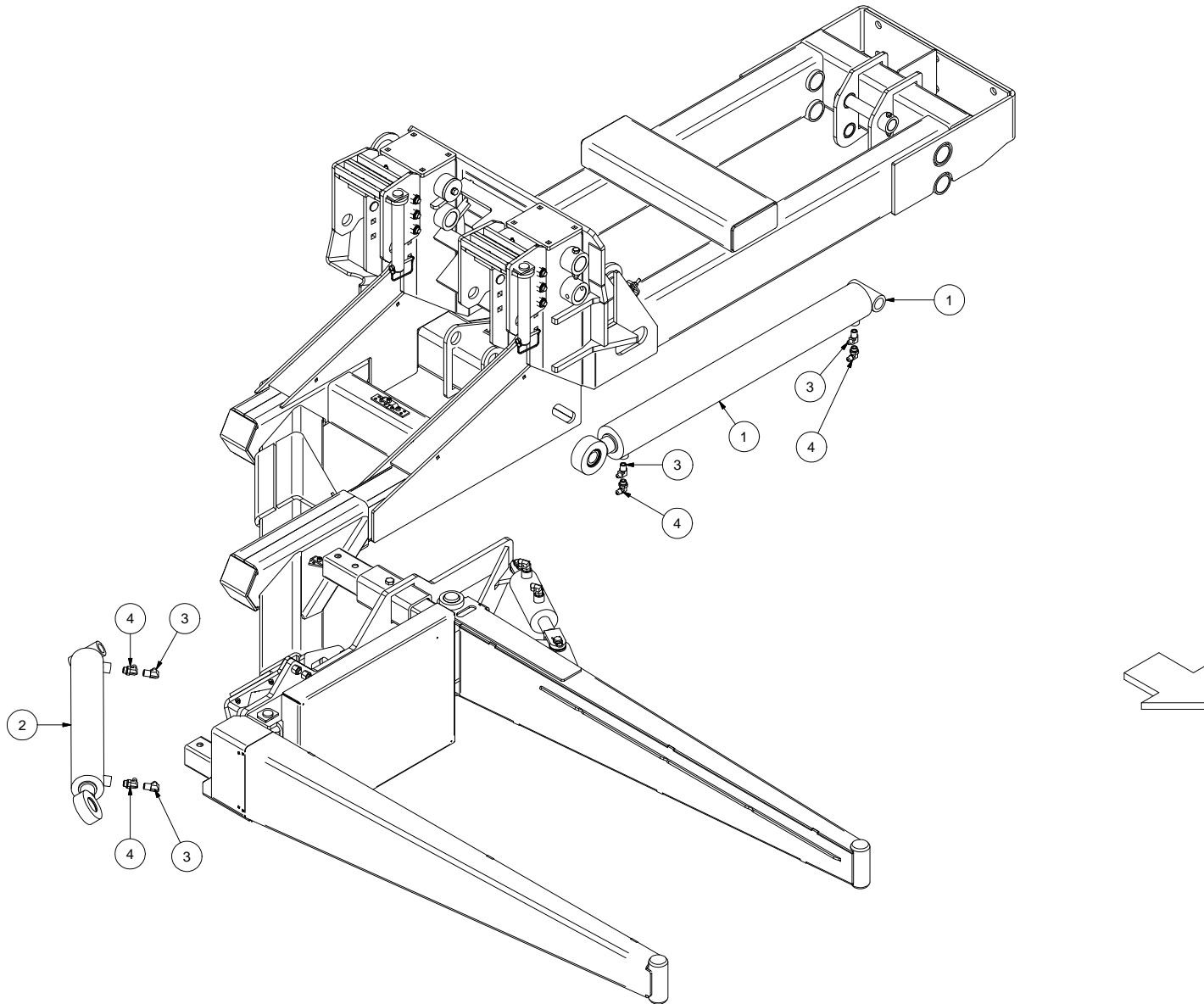
# 02A - TRAILER BASE / BASE DE REMORQUE



| ITEM | QT | PART/PIECE | ENGLISH DESCRIPTION                | DESCRIPTION FRANCAISE                            | NOTE |
|------|----|------------|------------------------------------|--|------|
| 1    | 2  | 467082     | HYDRAULIC CYLINDER                 | CYLINDRE HYDRAULIQUE                             |      |
| 2    | 4  | 450716     | HYDRAULIC FITTING                  | ADAPTEUR HYDRAULIQUE                             |      |
| 3    | 4  | 451265     | 8 M.JIC - 8 M.ORB 90°              | 8 M.JIC - 8 M.ORB 90°                            |      |
| 4    | 1  | 467806     | BU4048 HYDRAULIC CYLINDER SEAL KIT | ENSEMBLE DE JOINT CYLINDRE HYDRAULIQUE<br>BU4048 |      |

074-02A-TRAILER BASE

# 03 - LOADING ARM / BRAS DE CHARGEMENT



074-03-LOADING ARM

# 03 - LOADING ARM / BRAS DE CHARGEMENT

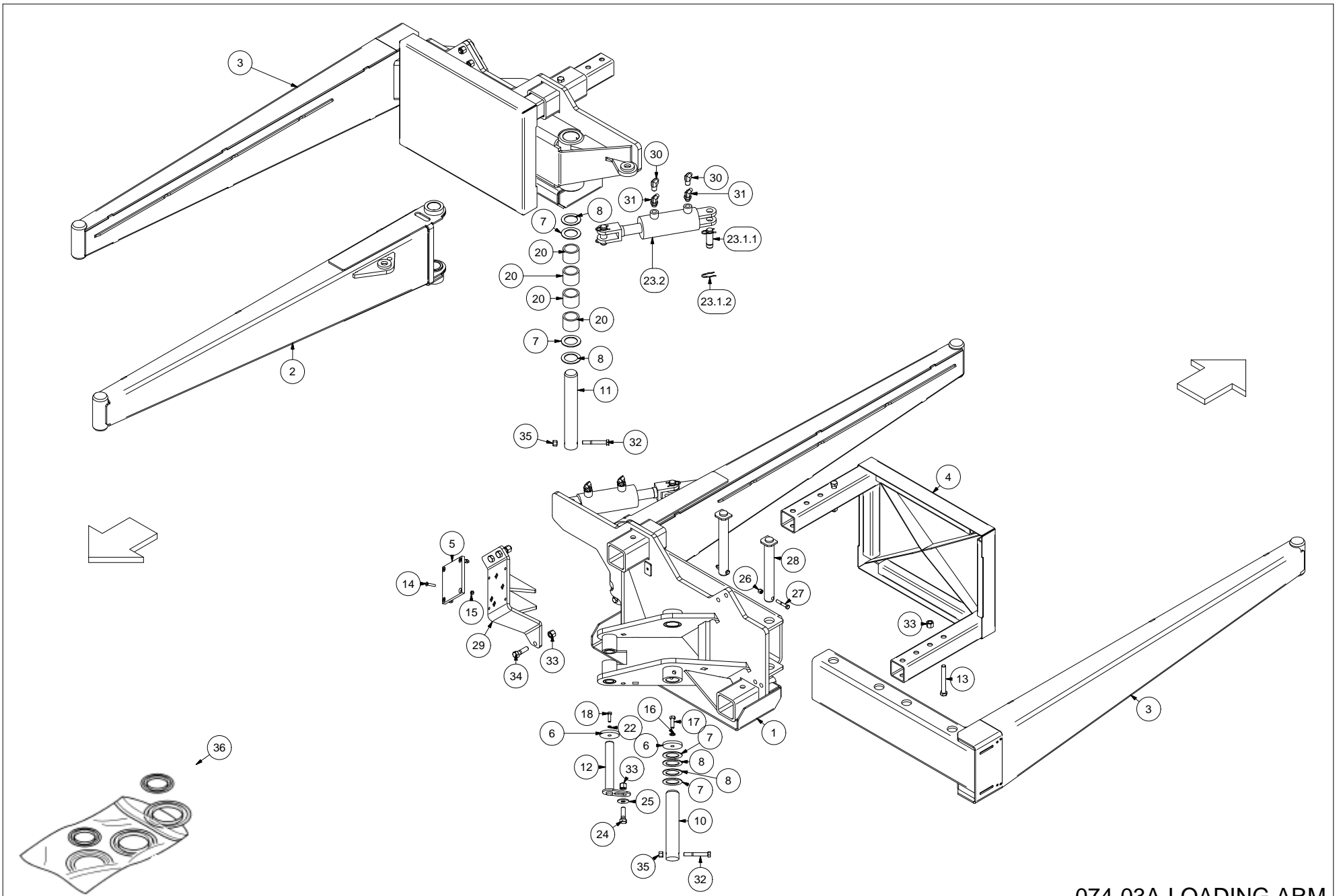


**ANDERSON**

| ITEM | QT | PART/PIECE | ENGLISH DESCRIPTION | DESCRIPTION FRANCAISE | NOTE |
|------|----|------------|---------------------|-----------------------|------|
| 1    | 1  | 467331     | HYDRAULIC CYLINDER  | CYLINDRE HYDRAULIQUE  |      |
| 2    | 1  | 467329     | HYDRAULIC CYLINDER  | CYLINDRE HYDRAULIQUE  |      |
| 3    | 4  | 450712     | HYDRAULIC FITTING   | ADAPTEUR HYDRAULIQUE  |      |
| 4    | 4  | 451261     | HYDRAULIC FITTING   | ADAPTEUR HYDRAULIQUE  |      |

074-03-LOADING ARM

# 03A - LOADING ARM / BRAS DE CHARGEMENT



074-03A-LOADING ARM

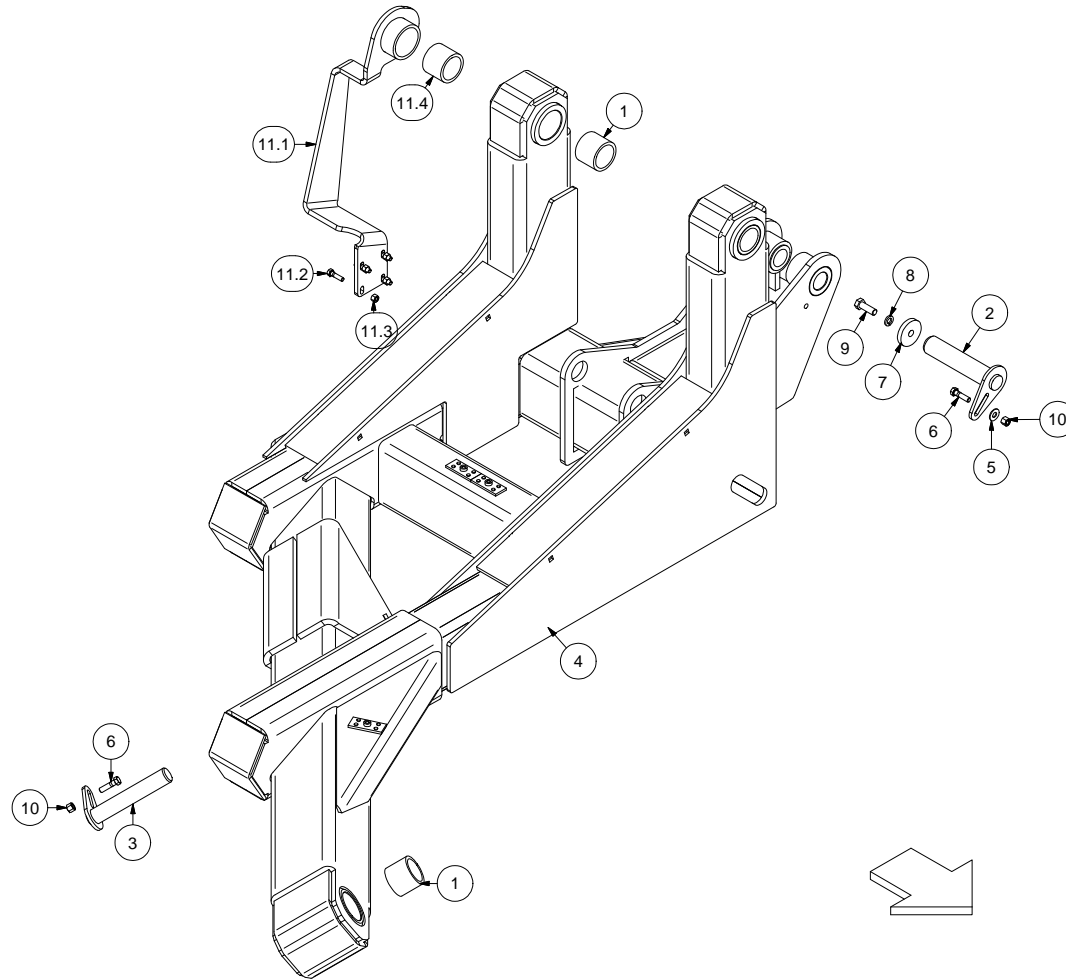
# 03A - LOADING ARM / BRAS DE CHARGEMENT



| ITEM   | QT | PART/PIECE | ENGLISH DESCRIPTION                            | DESCRIPTION FRANCAISE                                 | NOTE |
|--------|----|------------|--|---|------|
| 1      | 1  | 488038     | LOADING-ARM WRIST                              | POIGNET BRAS DE CHARGEMENT                            |      |
| 2      | 1  | 488039     | LOADING-ARM RIGHT CLAMP                        | PINCE DROITE DU BRAS DE CHARGEMENT                    |      |
| 3      | 1  | 488037     | LOADING-ARM LEFT CLAMP                         | PINCE GAUCHE DU BRAS DE CHARGEMENT                    |      |
| 4      | 1  | 488040     | POSITION PLATE                                 | PLAQUE DE POSITION                                    |      |
| 5      | 1  | 234787     | BUMPER   | PARRE-CHOC  |      |
| 6      | 2  | 488054     | FLAT WASHER                                    | RONDELLE PLATE  |      |
| 7      | 4  | 303095     | PTFE OIL-LUBRICATED SAE 841 BRONZE FLAT WASHER | RONDELLE PLATE SAE 841 BRONZE PTFE LUBRIFIÉ À L'HUILE |      |
| 8      | 4  | 488055     | FLAT WASHER                                    | RONDELLE PLATE  |      |
| 10     | 1  | 234775     | PIN  | AXE   |      |
| 11     | 1  | 234776     | PIN  | AXE   |      |
| 12     | 1  | 488050     | PIN  | AXE   |      |
| 13     | 2  | 500258     | HEX BOLT GR5 5/8-11 X 5                        | BOULON HEX GR5 5/8-11 X 5                             |      |
| 14     | 4  | 507111     | HEX FLAT HEAD CAP SCREW GR5 5/16-18 X 1 1/2    | VIS À TÊTE FRAISÉE HEX CREUX GR5 5/16-18 X 1 1/2      |      |
| 15     | 4  | 501031     | HEX NYLON LOCKNUT GR5 5/16-18 Z                | ÉCROU NYLON IND HEX GR5 5/16-18 Z                     |      |
| 16     | 1  | 502048     | LOCK WASHER 1/2                                | RONDELLE DE BLOCAGE 1/2                               |      |
| 17     | 1  | 500211-1   | HEX BOLT GR5 1/2-20 X 1 1/2                    | BOULON HEX GR8 1/2-20 X 1 1/2                         |      |
| 18     | 1  | 500086     | HEX BOLT GR5 3/8-16 X 1 1/4                    | BOULON HEX GR5 3/8-16 X 1 1/4                         |      |
| 20     | 4  | 303090     | COMPOSITE BUSHING                              | PALLIER COMPOSITE                                     |      |
| 22     | 1  | 502045     | LOCK WASHER 3/8                                | RONDELLE DE BLOCAGE 3/8                               |      |
| 23.1.1 | 2  | 320141     | PIN  | AXE   |      |
| 23.1.2 | 4  | 320148     | HAIR PIN COTTER 7/8 - 0.125                    | GOUPILLE EN ÉPINGLES À CHEVEUX 7/8 - 0.125            |      |
| 23.2   | 1  | 367128     | HYDRAULIC CYLINDER                             | CYLINDRE HYDRAULIQUE                                  |      |
| 24     | 1  | 500246     | HEX BOLT 5/8-11 UNC X 2 GR5 Z                  | BOULON HEX 5/8-11 UNC X 2 GR5 Z                       |      |
| 25     | 1  | 502008     | FLAT WASHER USS 0,625 X 1,75 Z                 | RONDELLE PLATE USS 0,625 X 1,75 Z                     |      |
| 26     | 2  | 501032     | HEX NYLON-INSERT LOCKNUT 3/8 - 16 GR2 Z        | ÉCROU FREINÉ INSERT-NYLON HEX 3/8 - 16 GR2 Z          |      |
| 27     | 2  | 500094     | HEX BOLT 3/8-16 UNC X 2,25 GR5 Z               | BOULON HEX 3/8-16 UNC X 2,25 GR5 Z                    |      |
| 28     | 2  | 488053     | PIN  | AXE   |      |
| 29     | 1  | 234822     | STOPPER  | BUTÉE   |      |
| 30     | 2  | 450712     | HYDRAULIC FITTING                              | ADAPTEUR HYDRAULIQUE                                  |      |
| 31     | 2  | 451261     | HYDRAULIC FITTING                              | ADAPTEUR HYDRAULIQUE                                  |      |
| 32     | 2  | 500188     | HEX BOLT 1/2-13 UNC X 3,75 GR5 Z               | BOULON HEX 1/2-13 UNC X 3,75 GR5 Z                    |      |
| 33     | 6  | 501035     | HEX NYLON-INSERT LOCKNUT 5/8 - 11 GR2 Z        | ÉCROU FREINÉ INSERT-NYLON HEX 5/8 - 11 GR2 Z          |      |
| 34     | 3  | 500247     | HEX BOLT 5/8-11 UNC X 2,25 GR5 Z               | BOULON HEX 5/8-11 UNC X 2,25 GR5 Z                    |      |
| 35     | 2  | 501034     | HEX NYLON-INSERT LOCKNUT 1/2 - 13 GR2 Z        | ÉCROU FREINÉ INSERT-NYLON HEX 1/2 - 13 GR2 Z          |      |
| 36     | 1  | 467800     | CL3004 HYDRAULIC CYLINDER SEAL KIT             | ENSEMBLE DE JOINTS CYLINDRE HYDDRAULIQUE CL3004       |      |

074-03A-LOADING ARM

# 03B - LOADING ARM / BRAS DE CHARGEMENT



074-03B-LOADING ARM

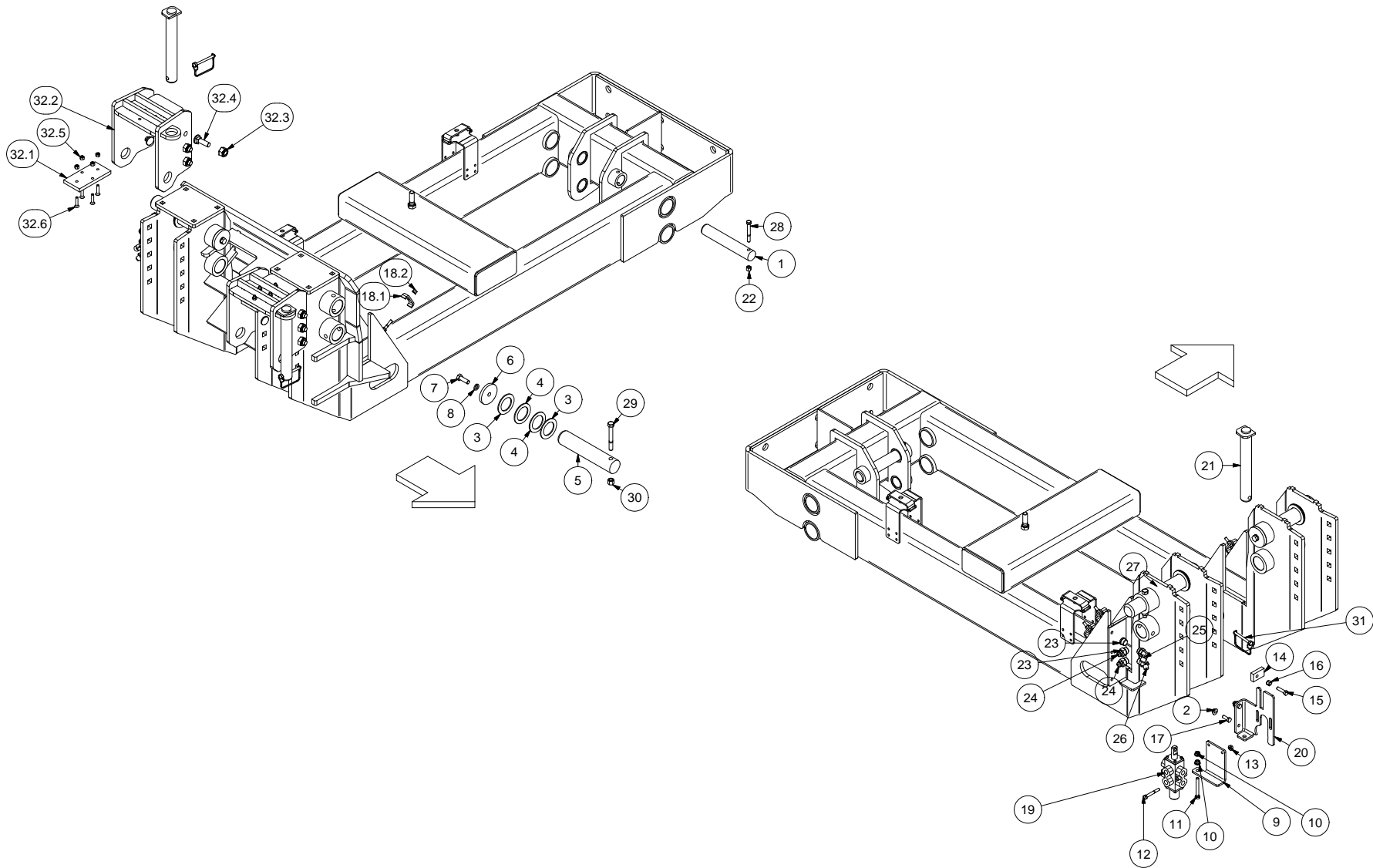
# 03B - LOADING ARM / BRAS DE CHARGEMENT



| ITEM | QT | PART/PIECE | ENGLISH DESCRIPTION                      | DESCRIPTION FRANCAISE                         | NOTE |
|------|----|------------|--|---|------|
| 1    | 6  | 303090     | COMPOSITE BUSHING                        | PALLIER COMPOSITE                             |      |
| 2    | 1  | 488049     | PIN                                      | AXE   |      |
| 3    | 1  | 488048     | PIN                                      | AXE   |      |
| 4    | 1  | 234823     | LOADING ARM                              | BRAS DE CHARGEMENT                            |      |
| 5    | 2  | 502004     | FLAT WASHER USS 0,375 X 1 Z              | RONDELLE PLATE USS 0,375 X 1 Z                |      |
| 6    | 2  | 500088     | HEX BOLT 3/8-16 UNC X 1,5 GR5 Z          | BOULON HEX 3/8-16 UNC X 1,5 GR5 Z             |      |
| 7    | 1  | 488058     | FLAT WASHER                              | RONDELLE PLATE                                |      |
| 8    | 1  | 502048     | LOCK WASHER 1/2                          | RONDELLE DE BLOCAGE 1/2                       |      |
| 9    | 1  | 500177     | HEX BOLT GR5 1/2-13 X 1 1/2              | BOULON HEX GR5 1/2-13 X 1 1/2                 |      |
| 10   | 2  | 501032     | HEX NYLON-INSERT LOCKNUT 3/8 - 16 GR2 Z  | ÉCROU FREINÉ INSERT-NYLON HEX 3/8 - 16 GR2 Z  |      |
| 11.1 | 1  | 234864     | CAM                                      | CAME  |      |
| 11.2 | 4  | 500046     | HEX BOLT 5/16-18 UNC X 1,25 GR5 Z        | BOULON HEX 5/16-18 UNC X 1,25 GR5 Z           |      |
| 11.3 | 4  | 501031     | HEX NYLON-INSERT LOCKNUT 5/16 - 18 GR2 Z | ÉCROU FREINÉ INSERT-NYLON HEX 5/16 - 18 GR2 Z |      |
| 11.4 | 1  | 303090     | COMPOSITE BUSHING                        | PALLIER COMPOSITE                             |      |

074-03B-LOADING ARM

# 03C - LOADING ARM / BRAS DE CHARGEMENT



074-03C-LOADING ARM

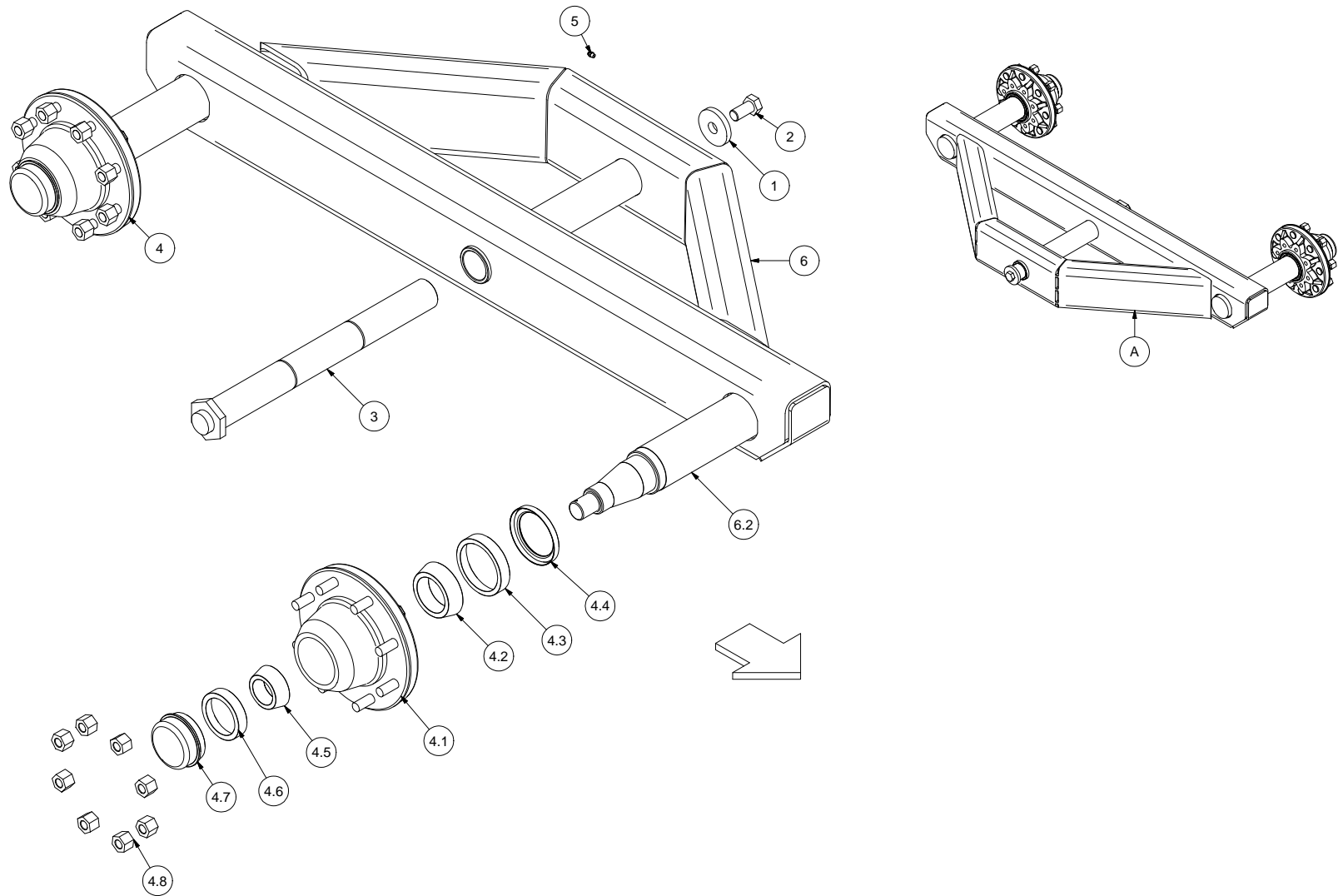
# 03C - LOADING ARM / BRAS DE CHARGEMENT



| ITEM | QT | PART/PIECE | ENGLISH DESCRIPTION                              | DESCRIPTION FRANCAISE                                 | NOTE |
|------|----|------------|--|---|------|
| 1    | 1  | 234780     | PIN  | AXE   |      |
| 2    | 2  | 501022     | HEX FLANGE NUT GR2 3/8-16 Z                      | ÉCROU À EMBASE HEX GR2 3/8-16 Z                       |      |
| 3    | 4  | 303095     | PTFE OIL-LUBRICATED SAE 841 BRONZE FLAT WASHER   | RONDELLE PLATE SAE 841 BRONZE PTFE LUBRIFIÉ À L'HUILE |      |
| 4    | 4  | 488055     | FLAT WASHER                                      | RONDELLE PLATE  |      |
| 5    | 1  | 234779     | PIN  | AXE   |      |
| 6    | 2  | 488054     | FLAT WASHER                                      | RONDELLE PLATE  |      |
| 7    | 2  | 500177     | HEX BOLT GR5 1/2-13 X 1 1/2                      | BOULON HEX GR5 1/2-13 X 1 1/2                         |      |
| 8    | 2  | 502048     | LOCK WASHER 1/2                                  | RONDELLE DE BLOCAGE 1/2                               |      |
| 9    | 1  | 234859     | BRACKET - HYDRAULIC VALVE                        | FERRURE - SOUPAPE HYDRAULIQUE                         |      |
| 10   | 2  | 501022     | HEX SERRATED FLANGE NUT 3/8-16 UNC GR2 Z         | ÉCROU HEX À BRIDE CRANTÉE 3/8-16 UNC GR2 Z            |      |
| 11   | 1  | 500099-1   | HEX BOLT 3/8-16 UNC X 3 GR5 Z                    | BOULON HEX 3/8-16 UNC X 3 GR5 Z                       |      |
| 12   | 2  | 500055     | HEX BOLT 5/16-18 UNC X 2,5 GR5 Z                 | BOULON HEX 5/16-18 UNC X 2,5 GR5 Z                    |      |
| 13   | 2  | 501021     | HEX SERRATED FLANGE NUT 5/16-18 UNC GR2 Z        | ÉCROU HEX À BRIDE CRANTÉE 5/16-18 UNC GR2 Z           |      |
| 14   | 1  | 488036     | BRACKET - HYDRAULIC VALVE                        | FERRURE - SOUPAPE HYDRAULIQUE                         |      |
| 15   | 1  | 500088     | HEX BOLT GR5 3/8-16 X 1 1/2                      | BOULON HEX GR5 3/8-16 X 1 1/2                         |      |
| 16   | 1  | 501032     | HEX NYLON LOCKNUT GR5 3/8-16 Z                   | ÉCROU NYLON IND HEX GR5 3/8-16 Z                      |      |
| 17   | 2  | 500084     | HEX BOLT GR5 3/8-16 X 1                          | BOULON HEX GR5 3/8-16 X 1                             |      |
| 18.1 | 3  | 234020     | HOSE CLIP  | ATTACHE TUYAU HYDRAULIQUE                             |      |
| 18.2 | 3  | 501031     | HEX NYLON-INSERT LOCKNUT 5/16 - 18 GR2 Z         | ÉCROU FREINÉ INSERT-NYLON HEX 5/16 - 18 GR2 Z         |      |
| 19   | 1  | 465064     | HYDRAULIC VALVE                                  | VALVE HYDRAULIQUE                                     |      |
| 20   | 1  | 234826     | HYDRAULIC VALVE HOLDER                           | SUPPORT SOUPAPE HYDRAULIQUE                           |      |
| 21   | 2  | 488053     | PIN  | AXE   |      |
| 22   | 1  | 501032     | HEX NYLON-INSERT LOCKNUT 3/8 - 16 GR2 Z          | ÉCROU FREINÉ INSERT-NYLON HEX 3/8 - 16 GR2 Z          |      |
| 23   | 2  | 451356     | HYDRAULIC FITTING                                | ADAPTEUR HYDRAULIQUE                                  |      |
| 24   | 2  | 451179     | HYDRAULIC FITTING                                | ADAPTEUR HYDRAULIQUE                                  |      |
| 25   | 1  | 451266     | 8 M.JIC - 10 M.ORB 90°                           | 8 M.JIC - 10 M.ORB 90°                                |      |
| 26   | 1  | 451230     | HYDRAULIC FITTING                                | ADAPTEUR HYDRAULIQUE                                  |      |
| 27   | 1  | 488034     | SHAFT  | ARBRE   |      |
| 28   | 1  | 500099     | HEX BOLT 3/8-16 UNC X 3 GR5 Z                    | BOULON HEX 3/8-16 UNC X 3 GR5 Z                       |      |
| 29   | 2  | 500189     | HEX BOLT 1/2-13 UNC X 4 GR5 Z                    | BOULON HEX 1/2-13 UNC X 4 GR5 Z                       |      |
| 30   | 1  | 501034     | HEX NYLON-INSERT LOCKNUT 1/2 - 13 GR2 Z          | ÉCROU FREINÉ INSERT-NYLON HEX 1/2 - 13 GR2 Z          |      |
| 31   | 2  | 320023-1   | LOCK PIN 3IN                                     | GOUPILLE DE VEROUILLAGE 3PO                           |      |
| 32.1 | 2  | 489066     | BUMPER   | PARRE-CHOC  |      |
| 32.2 | 2  | 234865     | ARM STOPPER                                      | BUTOIR D'ARRÊT DE BRAS                                |      |
| 32.3 | 12 | 501035     | HEX NYLON LOCKNUT GR5 5/8-11 Z                   | ÉCROU NYLON IND HEX GR5 5/8-11 Z                      |      |
| 32.4 | 12 | 500541     | CARRIAGE BOLT GR5 5/8-11 X 2 Z                   | BOULON À CARROSSERIE GR5 5/8-11 X 2 Z                 |      |
| 32.5 | 8  | 501031     | HEX NYLON-INSERT LOCKNUT 5/16 - 18 GR2 Z         | ÉCROU FREINÉ INSERT-NYLON HEX 5/16 - 18 GR2 Z         |      |
| 32.6 | 8  | 507107     | HEX FLAT HEAD SOCKET BOLT 5/16-18 UNC X 1,5 P BO | BOULON À TÊTE CREUSE PLATE HEX 5/16-18 UNC X 1,5 P ON |      |

074-03C-LOADING ARM

# 04 - AXLE / ESSIEU 4550 KG (10000 LB)



074-04-AXLE 4550 (10000)

# 04 - AXLE / ESSIEU 4550 KG (10000 LB)

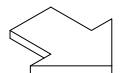
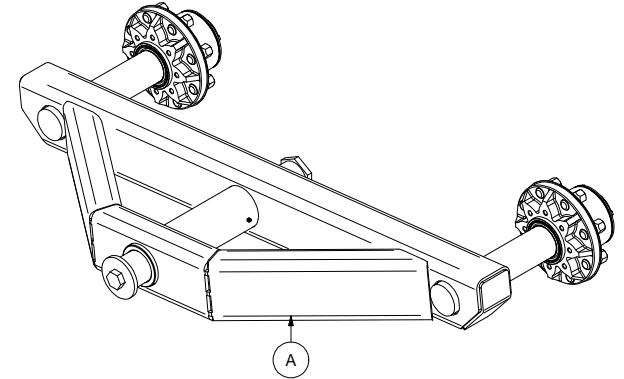
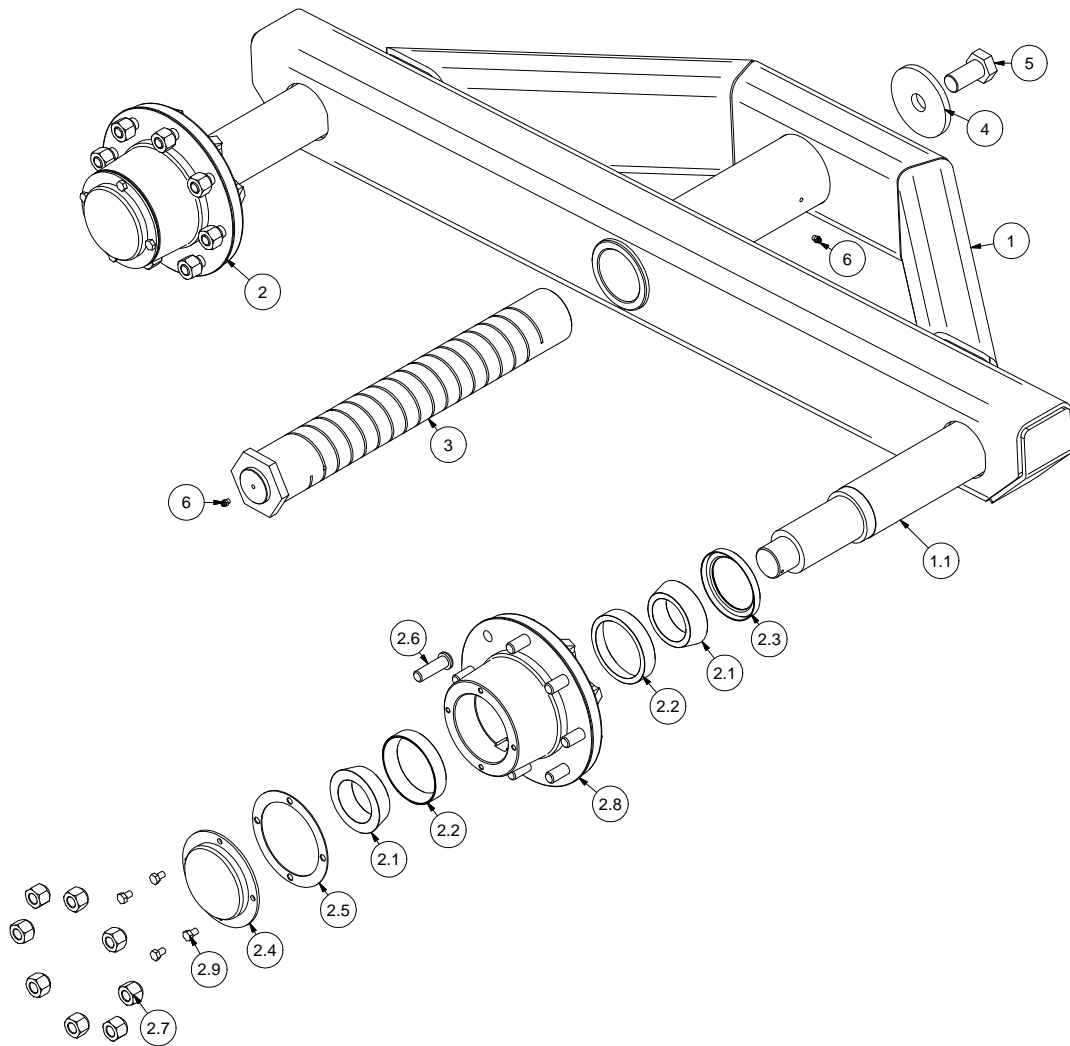


| ITEM | QT | PART/PIECE | ENGLISH DESCRIPTION       | DESCRIPTION FRANCAISE          | NOTE |
|------|----|------------|---------------------------|--------------------------------|------|
| 1    | 1  | 218001     | FLAT WASHER               | RONDELLE PLATE                 |      |
| 2    | 1  | 500212     | BOLT                      | BOULON                         |      |
| 3    | 1  | 234016     | TANDEM AXLE               | AXE DE TANDEM                  |      |
| 4    | 2  | 481404     | HUB                       | MOYEU                          |      |
| 4.1  | 1  | 481404     | COMPLETE HUB              | MOYEU COMPLET                  |      |
| 4.2  | 1  | 303491     | BEARING 28995 *           | ROULEMENT 28995 *              |      |
| 4.3  | 1  | 303492     | BEARING CUP KOYO-28921 *  | CAGE DE ROULEMENT KOYO-28921 * |      |
| 4.4  | 1  | 303490     | RADIAL SHAFT SEAL 10000 * | JOINT RADIAL 10000 *           |      |
| 4.5  | 1  | 303494     | BEARING 25581 *           | ROULEMENT 25581 *              |      |
| 4.6  | 1  | 303493     | BEARING CUP 25520 *       | CAGE DE ROULEMENT 25520 *      |      |
| 4.7  | 1  | 481004     | CAP                       | BOUCHON                        |      |
| 4.8  | 8  | 501902     | HEX WHEEL NUT 5/8-18      | ÉCROU DE ROUE 5/8-18           |      |
| 5    | 2  | 322299     | GREASE FITTING            | GRAISSEUR                      |      |
| 6    | 1  | 234004     | RIGHT WALKING BEAM        | TANDEM DROIT                   |      |
| 6.2  | 2  | 481106     | AXLE 4550 KG (10000 LB)   | ESSIEU 4550 KG (10000 LB)      |      |

| ITEM | QT | PART/PIECE | ENGLISH DESCRIPTION | DESCRIPTION FRANCAISE | NOTE |
|------|----|------------|---------------------|-----------------------|------|
| A    | 1  | 234014     | LEFT WALKING BEAM   | TANDEM GAUCHE         |      |

074-04-AXLE 4550 (10000)

# 04A - AXLE / ESSIEU 5450 KG (12000 LB)



074-04A-AXLE 5450 (12000)

# 04A - AXLE / ESSIEU 5450 KG (12000 LB)

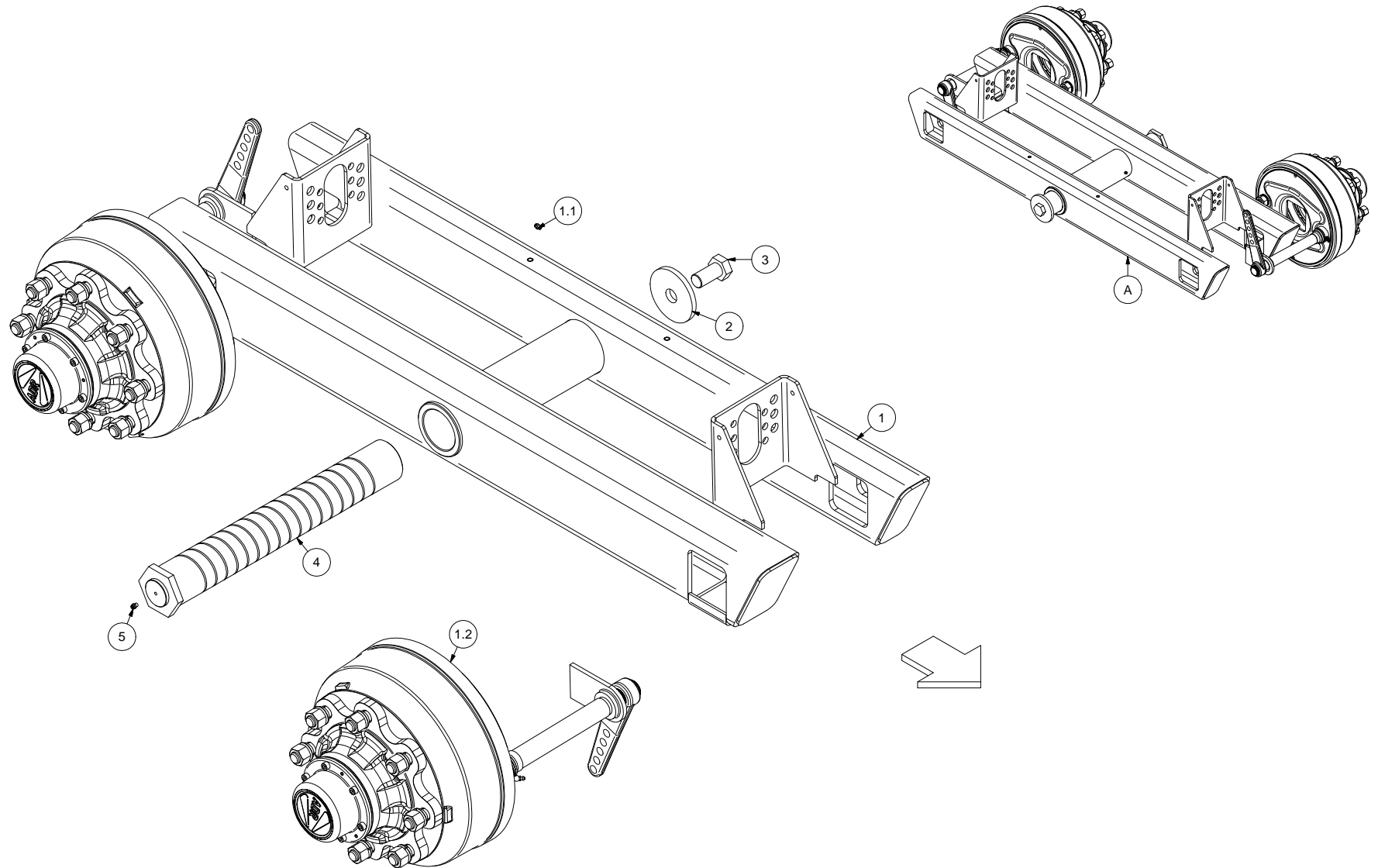


| ITEM | QT | PART/PIECE | ENGLISH DESCRIPTION        | DESCRIPTION FRANCAISE          | NOTE |
|------|----|------------|----------------------------|--------------------------------|------|
| 1    | 1  | 234142     | RIGHT WALKING BEAM         | TENDEM DROIT                   |      |
| 1.1  | 2  | 481121     | SPINDELL 12000             | ESSIEU 12000                   |      |
| 2    | 2  | 481406     | HUB                        | MOYEU                          |      |
| 2.1  | 2  | 303491     | BEARING 28995 *            | ROULEMENT 28995 *              |      |
| 2.2  | 2  | 303492     | BEARING CUP KOYO-28921 *   | CAGE DE ROULEMENT KOYO-28921 * |      |
| 2.3  | 1  | 303490     | RADIAL SHAFT SEAL 10000 *  | JOINT RADIAL 10000 *           |      |
| 2.4  | 1  | 481020     | SEAL                       | BOUCHON                        |      |
| 2.5  | 1  | 303510     | SEAL                       | JOINT                          |      |
| 2.6  | 8  | 481006     | À DÉFINIR                  | À DÉFINIR                      |      |
| 2.7  | 8  | 501915     | HEX WHEEL NUT 5/8-18       | ÉCROU DE ROUE 5/8-18           |      |
| 2.8  | 1  | 481406*    | COMPLETE HUB               | MOYEU COMPLET                  |      |
| 2.9  | 4  | 500040     | HEX BOLT GR5 5/16-18 X 1/2 | BOULON HEX GR5 5/16-18 X 1/2   |      |
| 3    | 1  | 234144     | TANDEM HD AXLE             | AXE DE TANDEM HD               |      |
| 4    | 1  | 234145     | BRACKET                    | FERRURE                        |      |
| 5    | 1  | 500319     | HEX BOLT GR5 1-14 X 1/2 Z  | BOULON HEX GR5 1-14 X 1/2 Z    |      |
| 6    | 3  | 322299     | GREASE FITTING             | GRAISSEUR                      |      |

| ITEM | QT | PART/PIECE | ENGLISH DESCRIPTION | DESCRIPTION FRANCAISE | NOTE |
|------|----|------------|---------------------|-----------------------|------|
| A    | 1  | 234143     | LEFT WALKING BEAM   | TANDEM GAUCHE         |      |

074-04A-AXLE 5450 (12000)

# 04B - AXLE WITH BRAKE/ ESSIEU AVEC FREIN 5450 KG (12000 LB)



074-04B-AXLE WITH BRAKE 5450 (12000)

# 04B - AXLE WITH BRAKE/ ESSIEU AVEC FREIN 5450 KG (12000 LB)

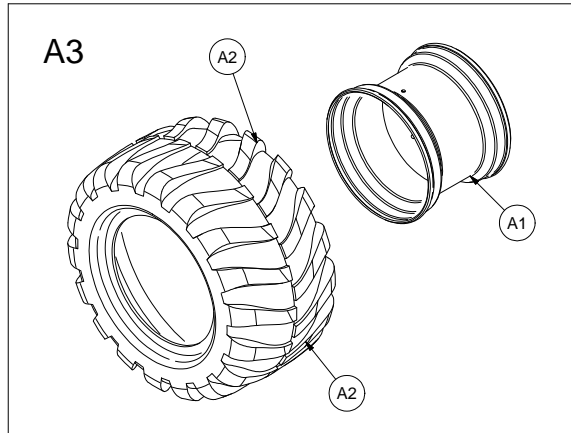


| ITEM | QT | PART/PIECE | ENGLISH DESCRIPTION        | DESCRIPTION FRANCAISE     | NOTE |
|------|----|------------|----------------------------|---------------------------|------|
| 1    | 1  | 234237     | RIGHT HD TANDEM WITH BRAKE | TANDEM DROIT AVEC FREIN   |      |
| 1.1  | 2  | 322299     | GREASE FITTING             | GRAISSEUR                 |      |
| 1.2  | 2  | 481119     | BRAKED STUB AXLE           | ESSIEU FREINÉ             |      |
| 2    | 1  | 234145     | BRACKET                    | FERRURE                   |      |
| 3    | 1  | 500319     | HEX BOLT GR5 1-14 X /2 Z   | BOULON HEX GR5 1-14 X 2 Z |      |
| 4    | 1  | 234144     | TANDEM HD AXLE             | AXE DE TANDEM HD          |      |
| 5    | 1  | 322299     | GREASE FITTING             | GRAISSEUR                 |      |

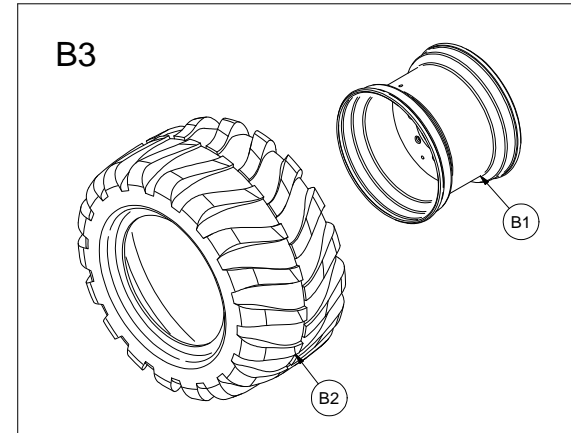
| ITEM | QT | PART/PIECE | ENGLISH DESCRIPTION       | DESCRIPTION FRANCAISE       | NOTE |
|------|----|------------|---------------------------|-----------------------------|------|
| A    | 1  | 234236     | LEFT HD TANDEM WITH BRAKE | TANDEM HD GAUCHE AVEC FREIN |      |

074-04B-AXLE WITH BRAKE 5450 (12000)

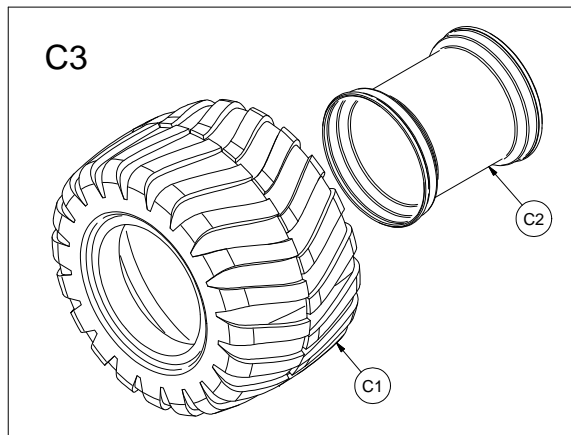
# 05 - TIRE / PNEU



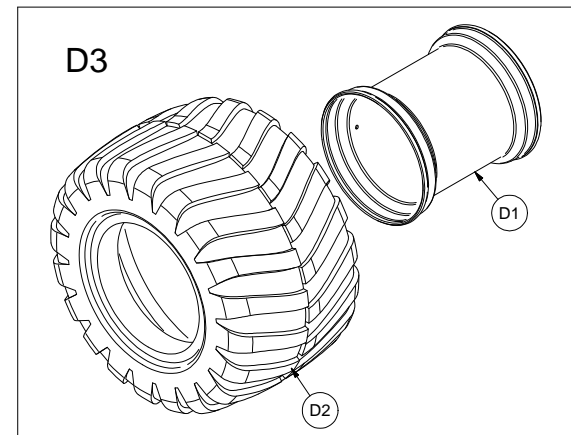
WITHOUT BRAKES / SANS FREIN  
TIRE WIDTH / LARGEUR PNEU 550 MM



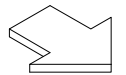
WITH BRAKES / AVEC FREIN  
TIRE WIDTH / LARGEUR PNEU 550 MM



WITHOUT BRAKES / SANS FREIN  
TIRE WIDTH / LARGEUR PNEU 700 MM



WITH BRAKES / AVEC FREIN  
TIRE WIDTH/LARGEUR PNEU 700 MM



074-05-TIRE

# 05 - TIRE / PNEU

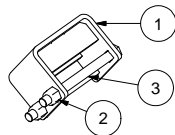


| ITEM | QT | PART/PIECE | ENGLISH DESCRIPTION | DESCRIPTION FRANCAISE | NOTE |
|------|----|------------|---------------------|-----------------------|------|
| A1   | 1  | 234224     | RIM                 | JANTE                 |      |
| A2   | 1  | 481522     | TIRE                | PNEU                  |      |
| A3   | 1  | 481518     | TIRE AND RIM        | PNEU ET JANTE         |      |

| ITEM | QT | PART/PIECE | ENGLISH DESCRIPTION | DESCRIPTION FRANCAISE | NOTE |
|------|----|------------|---------------------|-----------------------|------|
| B1   | 1  | 234226     | RIM                 | JANTE                 |      |
| B2   | 1  | 481522     | TIRE                | PNEU                  |      |
| B3   | 1  | 481524     | TIRE AND RIM        | PNEU ET JANTE         |      |

| ITEM | QT | PART/PIECE | ENGLISH DESCRIPTION | DESCRIPTION FRANCAISE | NOTE |
|------|----|------------|---------------------|-----------------------|------|
| C1   | 1  | 481523     | TIRE                | PNEU                  |      |
| C2   | 1  | 234225     | RIM                 | JANTE                 |      |
| C3   | 1  | 481521     | TIRE AND RIM        | PNEU ET JANTE         |      |

| ITEM | QT | PART/PIECE | ENGLISH DESCRIPTION | DESCRIPTION FRANCAISE | NOTE |
|------|----|------------|---------------------|-----------------------|------|
| D1   | 1  | 234227     | RIM                 | JANTE                 |      |
| D2   | 1  | 481523     | TIRE                | PNEU                  |      |
| D3   | 1  | 481525     | TIRE AND RIM        | PNEU ET JANTE         |      |

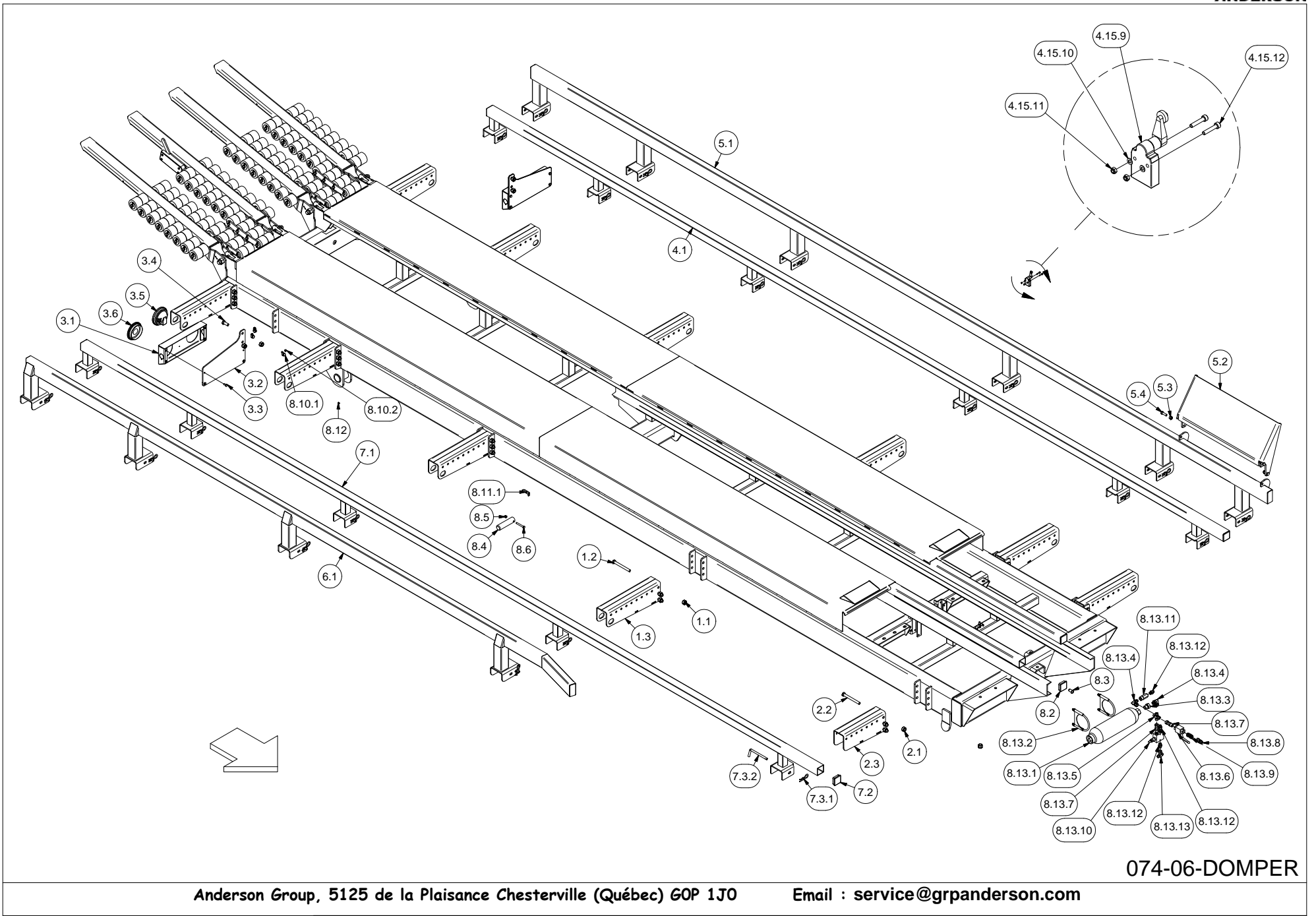


MUST BE INSTALED ON TIRES 700 / DOIT ÊTRE INSTALLÉ SUR LES PNEUS 700

| ITEM | QT | PART/PIECE | ENGLISH DESCRIPTION            | DESCRIPTION FRANCAISE            | NOTE |
|------|----|------------|--------------------------------|----------------------------------|------|
| 1    | 1  | 234671     | STOPPER                        | LIMITEUR DE COURSE               |      |
| 2    | 2  | 501034     | HEX NYLON LOCKNUT GR5 1/2-13 Z | ÉCROU NYLON IND HEX GR5 1/2-13 Z |      |
| 3    | 2  | 500195     | HEX BOLT GR5 1/2-13 X 5 1/2    | BOULON HEX GR5 1/2-13 X 5 1/2    |      |

074-05-TIRE

# 06 - DOMPER / DOMPEUR



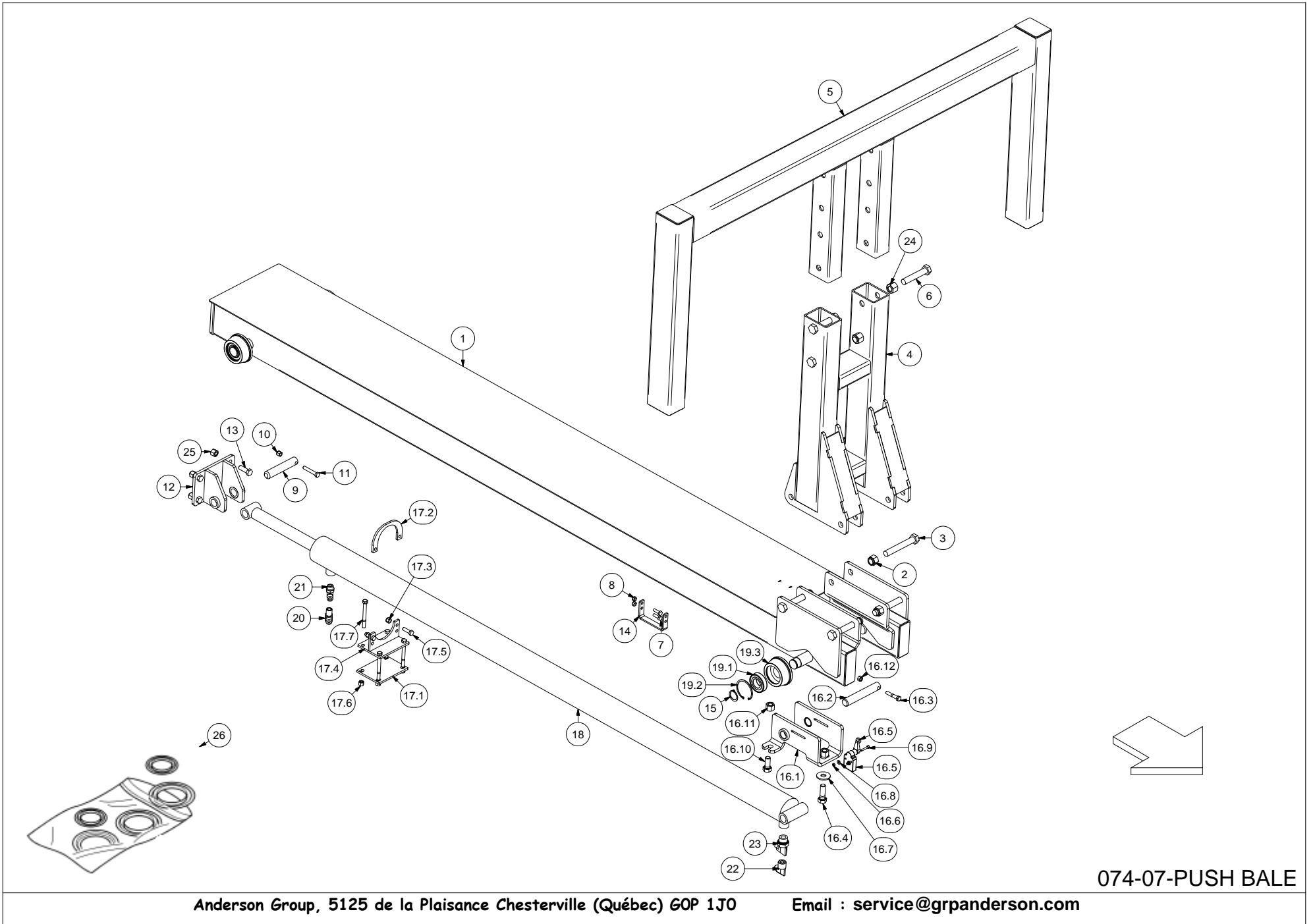
074-06-DOMPER

# 06 - DOMPER / DOMPEUR



| ITEM    | QT | PART/PIECE | ENGLISH DESCRIPTION  | DESCRIPTION FRANCAISE                                 | NOTE |
|---------|----|------------|--|---|------|
| 1.1     | 30 | 501035     | HEX NYLON LOCKNUT GR5 5/8-11 Z                               | ÉCROU NYLON IND HEX GR5 5/8-11 Z                      |      |
| 1.2     | 30 | 500262-1   | HEX BOLT GR8 5/8-11 X 6                                      | BOULON HEX GR8 5/8-11 X 6                             |      |
| 1.3     | 10 | 485178     | BALE GUIDE SUPPORT   | SUPPORT GUIDE-BALLE                                   |      |
| 4.15.9  | 1  | 315161     | SENSOR   | CAPTEUR   |      |
| 4.15.10 | 2  | 502001     | FLAT WASHER 3/16 Z   | RONDELLE PLATE 3/16 Z                                 |      |
| 4.15.11 | 2  | 506049     | HEX NYLON-INSERT LOCKNUT M5 X 0.8 CL8 Z                      | ÉCROU FREINÉ INSERT-NYLON HEX M5 X 0.8 CL8 Z          |      |
| 4.15.12 | 2  | 507061-1   | HEX SOCKET HEAD CAP SCREW M5 X 0.8 X 25                      | VIS HEX CREUX TÊTE CYLINDRIQUE M5 X 0.8 X 25          |      |
| 2.1     | 3  | 501035     | HEX NYLON LOCKNUT GR5 5/8-11 Z                               | ÉCROU NYLON IND HEX GR5 5/8-11 Z                      |      |
| 2.2     | 3  | 500262-1   | HEX BOLT GR8 5/8-11 X 6                                      | BOULON HEX GR8 5/8-11 X 6                             |      |
| 2.3     | 1  | 488043     | BALE GUIDE SUPPORT   | SUPPORT GUIDE-BALLE                                   |      |
| 3.1     | 1  | 234128     | LIGHT BOX  | BOITE DE LUMIÈRE                                      |      |
| 3.2     | 1  | 234127     | LIGHT SUPPORT  | SUPPORT DE LUMIÈRE                                    |      |
| 3.3     | 3  | 500082     | HEX BOLT GR5 3/8-16 X 3/4                                    | BOULON HEX GR5 3/8-16 X 3/4                           |      |
| 3.4     | 2  | 500243     | HEX BOLT GR5 5/8-11 X 1 1/2                                  | BOULON HEX GR5 5/8-11 X 1 1/2                         |      |
| 3.5     | 1  | 900560     | ROAD LIGHT   | LUMIÈRE DE ROUTE                                      |      |
| 3.6     | 1  | 900561     | ROAD LIGHT   | LUMIÈRE DE ROUTE                                      |      |
| 4.1     | 1  | 234827     | BALE GUIDE   | GUIDE BALLE   |      |
| 5.1     | 1  | 234828     | BALE GUIDE   | GUIDE BALLE   |      |
| 5.2     | 1  | 234829     | BALE GUIDE   | GUIDE BALLE   |      |
| 5.3     | 4  | 501034     | HEX NYLON LOCKNUT GR5 1/2-13 Z                               | ÉCROU NYLON IND HEX GR5 1/2-13 Z                      |      |
| 5.4     | 4  | 500177     | HEX BOLT GR5 1/2-13 X 1 1/2                                  | BOULON HEX GR5 1/2-13 X 1 1/2                         |      |
| 6.1     | 1  | 234830     | RIGHT HIGH BALE GUIDE  | GUIDE BALLE HAUT DROIT                                |      |
| 7.1     | 1  | 234831     | RIGHT LOW BALE GUIDE   | GUIDE-BALLE BAS DROIT                                 |      |
| 7.2     | 1  | 481012     | PLUG-CAP   | CAPUCHON  |      |
| 7.3.1   | 5  | 320039     | HITCH PIN 3/16   | GOUPILLE D'ATTACHE 3/16                               |      |
| 7.3.2   | 5  | 320091     | PIN  | GOUPILLE  |      |
| 8.2     | 2  | 481012     | PLUG-CAP   | CAPUCHON  |      |
| 8.3     | 1  | 900566     | LIGHT  | LUMIÈRE   |      |
| 8.4     | 2  | 485114     | CYLINDER AXLE  | AXE DU CYLINDRE                                       |      |
| 8.5     | 2  | 501032     | HEX NYLON LOCKNUT GR5 3/8-16 Z                               | ÉCROU NYLON IND HEX GR5 3/8-16 Z                      |      |
| 8.6     | 2  | 500098     | HEX BOLT GR5 3/8-16 X 2 3/4                                  | BOULON HEX GR5 3/8-16 X 2 3/4                         |      |
| 8.10.1  | 3  | 320083-2   | WIRE HOLDER  | SUPPORT DE FIL  |      |
| 8.10.2  | 3  | 501030     | HEX NYLON-INSERT LOCKNUT 1/4 - 20 GR2 Z                      | ÉCROU FREINÉ INSERT-NYLON HEX 1/4 - 20 GR2 Z          |      |
| 8.11.1  | 9  | 234020     | HOSE CLIP  | ATTACHE TUYAU HYDRAULIQUE                             |      |
| 8.12    | 2  | 322299     | GREASE FITTING   | GRAISSEUR   |      |
| 8.13.1  | 1  | 470130     | HYDRAULIC ACCUMULATOR  | ACCUMULATEUR HYDRAULIQUE                              |      |
| 8.13.2  | 2  | 507120     | CLAMPING U-BOLT / EXHAUSTS CLAMP 4.5 X 6.18 X 1.5 X 3/8-16 Z | BOULON-U BRIDE DE SERRAGE 4.5 X 6.18 X 1.5 X 3/8-16 Z |      |
| 8.13.3  | 1  | 451069     | ADAPTER MB12 X FB 08   | ADAPTATEUR MB12 X FB08                                |      |
| 8.13.4  | 2  | 450297     | ADAPTER 4517-08-08 FORS X MB 90°                             | ADAPTATEUR 4517-08-08 FORS X MB 90°                   |      |
| 8.13.5  | 1  | 452525     | ADAPTER 4955-08 MORS CROSS                                   | ADAPTATEUR 4955-08 MORS CROSS                         |      |
| 8.13.6  | 1  | 466999     | BALL VALVE 2-WAY 1/2 NPTM                                    | VALVE À BILLE 2-VOIE 1/2 NPTF                         |      |
| 8.13.7  | 2  | 452522     | ADAPTER 4115-08-08 FORS X MB                                 | ADAPTATEUR 4115-08-08 FORS X MB                       |      |
| 8.13.8  | 1  | 452000     | HYDRAULIC FITTING  | ADAPTEUR HYDRAULIQUE                                  |      |
| 8.13.9  | 1  | 450008     | ADAPTER 3069-08-08 MP X MP                                   | ADAPTATEUR 3069-08-08 MP X MP                         |      |
| 8.13.10 | 1  | 466000     | RELIEF VALVE   | VALVE DE SURPRESSION                                  |      |
| 8.13.11 | 1  | 465053     | FLOW REGULATOR VALVE   | VALVE RÉGULATRICE DE DÉBIT                            |      |
| 8.13.12 | 3  | 452524     | ADAPTATER 4315-06-08 MORS X MB                               | ADAPTATEUR 4315-06-08 MORS X MB                       |      |
| 8.13.13 | 1  | 452531     | ADAPTATER 4707-06 MORS X MORS X FORS                         | ADAPTATEUR 4707-06 MORS X MORS X FORS                 |      |

# 07 - PUSH BALE / POUSSOIR DE BALE



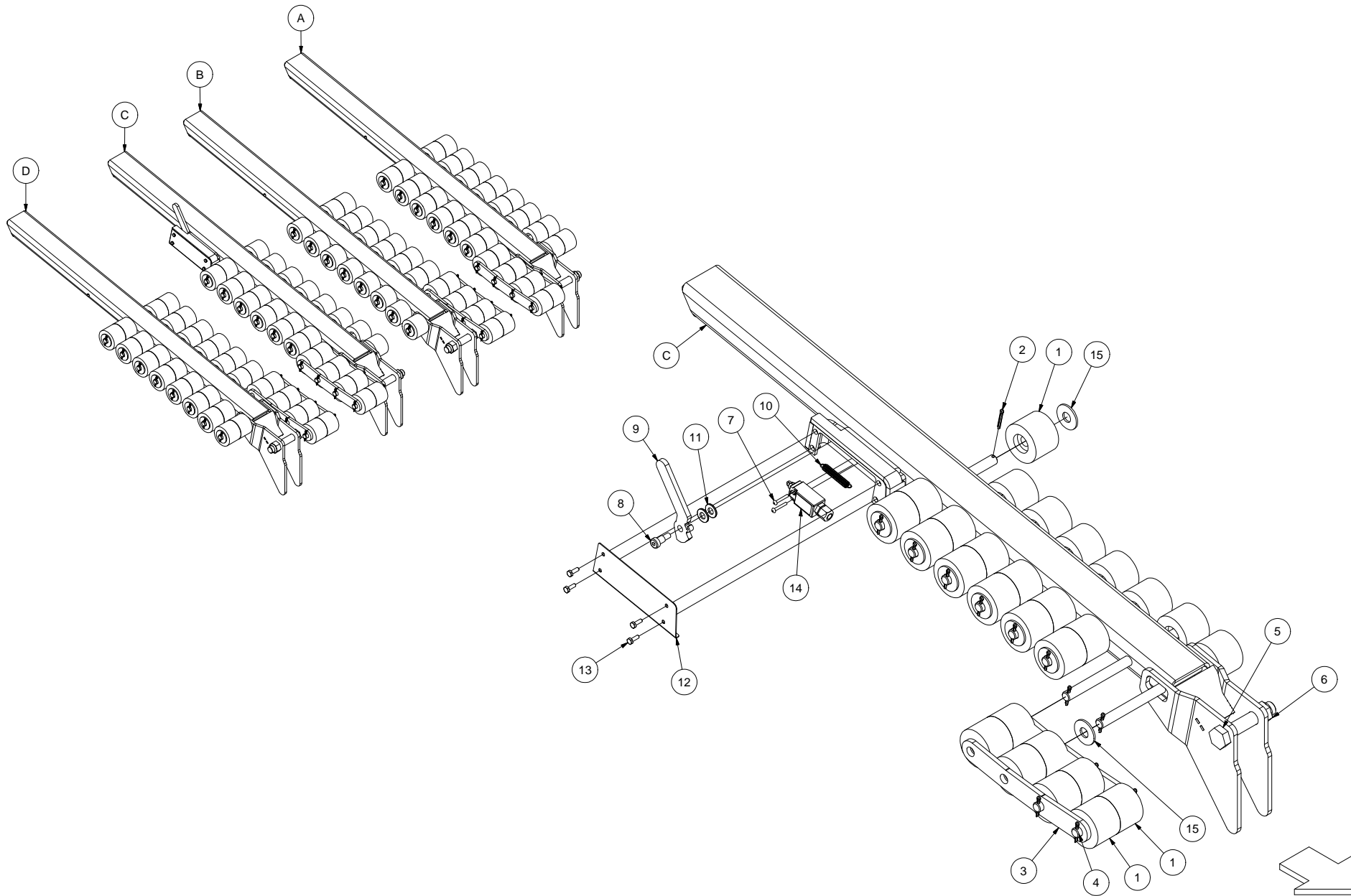
# 07 - PUSH BALE / POUSSOIR DE BALE



| ITEM  | QT | PART/PIECE | ENGLISH DESCRIPTION                                     | DESCRIPTION FRANCAISE  | NOTE |
|-------|----|------------|---|--|------|
| 1     | 1  | 234832     | PUSH BALE BED   | LIT DU POUSSOIR DE BALLE                                       |      |
| 2     | 4  | 501036     | HEX NYLON LOCKNUT GR5 3/4-10 Z                          | ÉCROU NYLON IND HEX GR5 3/4-10 Z                               |      |
| 3     | 4  | 500297     | HEX BOLT GR5 3/4-10 X 5                                 | BOULON HEX GR5 3/4-10 X 5                                      |      |
| 4     | 1  | 234833     | PUSH BALE TOWER   | TOUR DU POUSSOIR DE BALLE                                      |      |
| 5     | 1  | 234834     | PUSH BALE BRIDGE  | PONT DU POUSSOIR DE BALLE                                      |      |
| 6     | 4  | 500293     | HEX BOLT GR5 3/4-10 X 4                                 | BOULON HEX GR5 3/4-10 X 4                                      |      |
| 7     | 4  | 500044     | HEX BOLT GR5 5/16-18 X 1                                | BOULON HEX GR5 5/16-18 X 1                                     |      |
| 8     | 4  | 501031     | HEX NYLON LOCKNUT GR5 5/16-18 Z                         | ÉCROU NYLON IND HEX GR5 5/16-18 Z                              |      |
| 9     | 1  | 488012     | CYLINDER AXLE   | AXE DU CYLINDRE  |      |
| 10    | 1  | 501032     | HEX NYLON LOCKNUT GR5 3/8-16 Z                          | ÉCROU NYLON IND HEX GR5 3/8-16 Z                               |      |
| 11    | 1  | 500094     | HEX BOLT GR5 3/8-16 X 2 1/4                             | BOULON HEX GR5 3/8-16 X 2 1/4                                  |      |
| 12    | 1  | 234835     | BRACKET   | FERRURE  |      |
| 13    | 4  | 500177     | HEX BOLT GR5 1/2-13 X 1 1/2                             | BOULON HEX GR5 1/2-13 X 1 1/2                                  |      |
| 14    | 1  |            | BRACKET   | FERRURE  |      |
| 15    | 4  | 320006     | RETAINING RING  | ANNEAU DE RETENUE  |      |
| 16.1  | 1  | 234837     | BRACKET   | FERRURE  |      |
| 16.2  | 1  | 488029     | PIN   | AXE  |      |
| 16.3  | 1  | 500092     | HEX BOLT 3/8-16 UNC X 2 GR5 Z                           | BOULON HEX 3/8-16 UNC X 2 GR5 Z                                |      |
| 16.4  | 1  | 500246     | HEX BOLT 5/8-11 UNC X 2 GR5 Z                           | BOULON HEX 5/8-11 UNC X 2 GR5 Z                                |      |
| 16.5  | 1  | 315161     | SENSOR  | CAPTEUR  |      |
| 16.6  | 2  | 506049     | HEX NYLON-INSERT LOCKNUT M5 X 0,8 CL8 Z                 | ÉCROU FREINÉ INSERT-NYLON HEX M5 X 0,8 CL8 Z                   |      |
| 16.7  | 1  | 502008     | FLAT WASHER USS 0,625 X 1,75 Z                          | RONDELLE PLATE USS 0,625 X 1,75 Z                              |      |
| 16.8  | 2  | 502001     | FLAT WASHER SAE 0,19 X 0,5 Z                            | RONDELLE PLATE SAE 0,19 X 0,5 Z                                |      |
| 16.9  | 2  | 507061-2   | HEX CYLINDER SOCKET HEAD BOLT M5 X 0,8 - 30 C CL10.9 ON | BOULON À TÊTE CREUSE CYLINDRIQUE HEX M5 X 0,8 - 30 C CL10.9 ON |      |
| 16.10 | 2  | 500243     | HEX BOLT 5/8-11 UNC X 1,5 GR5 Z                         | BOULON HEX 5/8-11 UNC X 1,5 GR5 Z                              |      |
| 16.11 | 3  | 501035     | HEX NYLON-INSERT LOCKNUT 5/8 - 11 GR2 Z                 | ÉCROU FREINÉ INSERT-NYLON HEX 5/8 - 11 GR2 Z                   |      |
| 16.12 | 1  | 501002     | HEX NUT 3/8 - 16 GR2 Z                                  | ÉCROU HEX 3/8 - 16 GR2 Z                                       |      |
| 17.1  | 1  | 234039     | LOWER CYLINDER SUPPORT                                  | SUPPORT DE CYLINDRE INFÉRIEUR                                  |      |
| 17.2  | 1  | 234539-1   | BRACKET   | FERRURE  |      |
| 17.3  | 2  | 501032     | HEX NYLON LOCKNUT GR5 3/8-16 Z                          | ÉCROU NYLON IND HEX GR5 3/8-16 Z                               |      |
| 17.4  | 1  | 234751     | UPPER CYLINDER SUPPORT                                  | SUPPORT DE CYLINDRE SUPÉRIEUR                                  |      |
| 17.5  | 2  | 500086     | HEX BOLT GR5 3/8-16 X 1 1/4                             | BOULON HEX GR5 3/8-16 X 1 1/4                                  |      |
| 17.6  | 4  | 501032     | HEX NYLON-INSERT LOCKNUT 3/8 - 16 GR2 Z                 | ÉCROU FREINÉ INSERT-NYLON HEX 3/8 - 16 GR2 Z                   |      |
| 17.7  | 4  | 500103     | HEX BOLT 3/8-16 UNC X 3,75 GR5 Z                        | BOULON HEX 3/8-16 UNC X 3,75 GR5 Z                             |      |
| 18    | 1  | 467314     | HYDRAULIC CYLINDER                                      | CYLINDRE HYDRAULIQUE   |      |
| 19.1  | 4  | 303045     | BEARING   | ROULEMENT  |      |
| 19.2  | 4  | 320019     | RETAINING RING  | ANNEAU DE RETENUE  |      |
| 19.3  | 4  | 488033     | WHEEL   | ROUE   |      |
| 20    | 1  | 450716     | HYDRAULIC FITTING                                       | ADAPTEUR HYDRAULIQUE   |      |
| 21    | 1  | 451265     | 8 M.JIC - 8 M.ORB 90°                                   | 8 M.JIC - 8 M.ORB 90°  |      |
| 22    | 1  | 450717     | HYDRAULIC FITTING                                       | ADAPTEUR HYDRAULIQUE   |      |
| 23    | 1  | 451267     | 8 M.JIC - 12 M.ORB 90°                                  | 8 M.JIC - 12 M.ORB 90°   |      |
| 24    | 4  | 501036     | HEX NYLON-INSERT LOCKNUT 3/4 - 10 GR2 Z                 | ÉCROU FREINÉ INSERT-NYLON HEX 3/4 - 10 GR2 Z                   |      |
| 25    | 4  | 501034     | HEX NYLON-INSERT LOCKNUT 1/2 - 13 GR2 Z                 | ÉCROU FREINÉ INSERT-NYLON HEX 1/2 - 13 GR2 Z                   |      |
| 26    | 1  | 467807     | BU3078 HYDRAULIC CYLINDER SEAL KIT                      | ENSEMBLE DE JOINT CYLINDRE HYDRAULIQUE BU3078                  |      |

074-07-PUSH BALE

# 08 - EXTENSION / EXTENSION



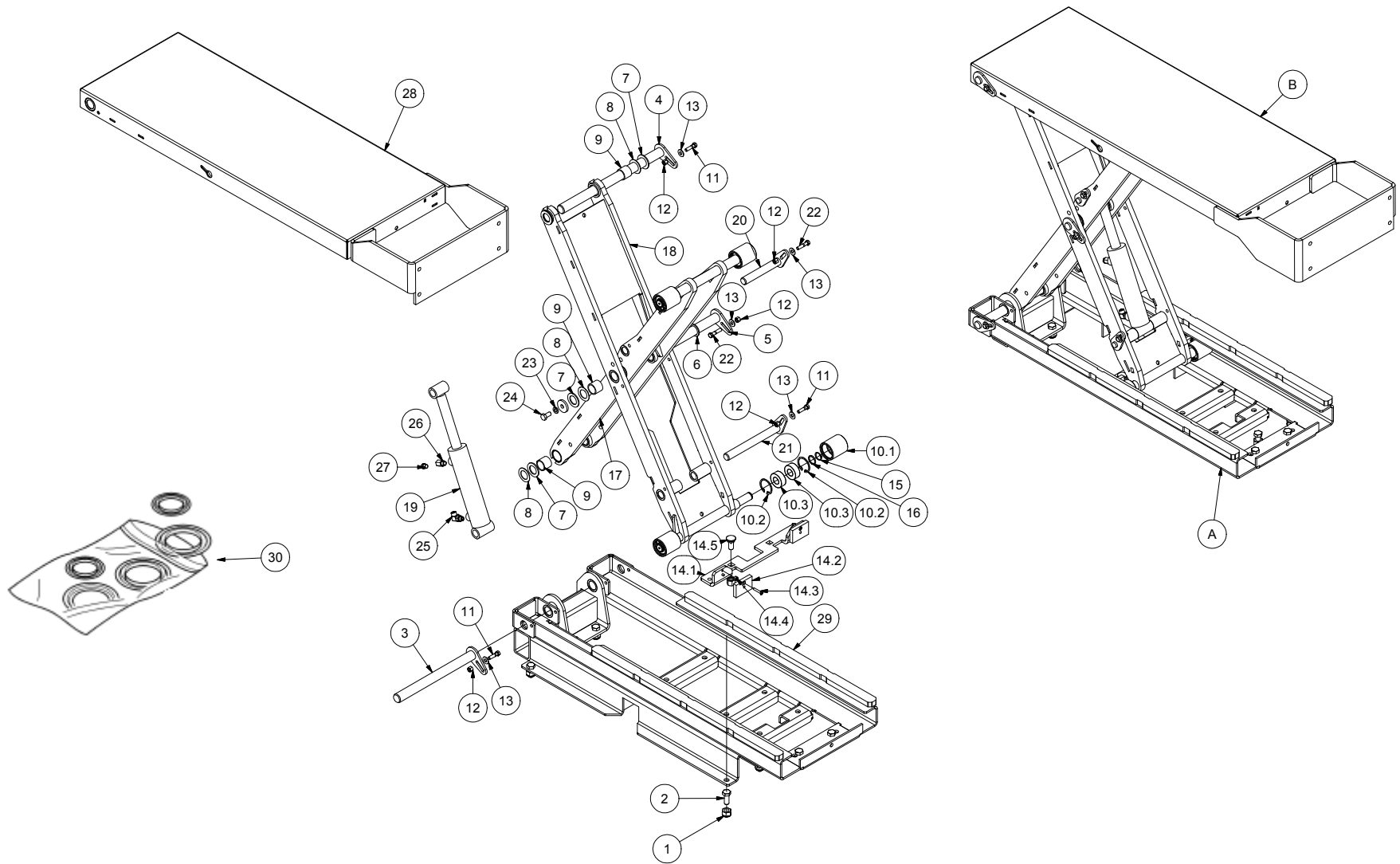
074-08-EXTENSION

# 08 - EXTENSION / EXTENSION



| ITEM | QT | PART/PIECE | ENGLISH DESCRIPTION                                | DESCRIPTION FRANCAISE                           | NOTE |
|------|----|------------|--|---|------|
| 1    | 28 | 234899     | WHEEL  | ROULETTE  |      |
| 2    | 20 | 320000     | COTTER PIN 3/16 X 1 1/2                            | GOUPILLE FENDUE 3/16 X 1 1/2                    |      |
| 3    | 2  | 234879     | LOCKING PLATE                                      | PLAQUE VERROU                                   |      |
| 4    | 2  | 234905     | WHEEL AXLE   | AXE DE ROULETTE                                 |      |
| 5    | 1  | 500333-1   | HEX BOLT GR8 1-8 X 5 Z                             | BOULON HEX GR8 1-8 X 5 Z                        |      |
| 6    | 1  | 501037     | HEX NYLON LOCKNUT GR5 1-8 Z                        | ÉCROU NYLON IND HEX GR5 1-8 Z                   |      |
| 7    | 2  | 507080-1   | PHILLIPS ROUND HEAD MACHINE SCREW #10-24 X 1 1/4 Z | VIS MÉCANIQUE CROIX TÊTE RONDE #10-24 X 1 1/4 Z |      |
| 8    | 1  | 500578     | HEX SOCKET HEAD CAP SCREW 1/2 X 5/8                | VIS HEX CREUX TÊTE CYLINDRIQUE 1/2 X 5/8        |      |
| 9    | 1  | 234906     | LEVER  | LEVIER  |      |
| 10   | 1  | 304026     | SPRING   | RESSORT   |      |
| 11   | 2  | 502006     | FLAT WASHER 1/2 Z-SAE                              | RONDELLE PLATE 1/2 Z-SAE                        |      |
| 12   | 1  | 234907     | PROTECTIVE COVER                                   | COUVERCLE DE PROTECTION                         |      |
| 13   | 4  | 500004     | HEX BOLT GR5 1/4-20 X 3/4                          | BOULON HEX GR5 1/4-20 X 3/4                     |      |
| 14   | 1  | 315234     | FULL LOAD SENSOR (WITH WIRES)                      | CAPTEUR DE PLEINE CHARGE (AVEC FILS)            |      |
| 15   | 15 | 502009     | FLAT WASHER 3/4 Z                                  | RONDELLE PLATE 3/4 Z                            |      |
| A    | 1  | 234901     | EXTENSION A  | EXTENSION A                                     |      |
| B    | 1  | 234902     | EXTENSION B  | EXTENSION B                                     |      |
| C    | 1  | 234903     | EXTENSION C  | EXTENSION C                                     |      |
| D    | 1  | 234904     | EXTENSION D  | EXTENSION D                                     |      |

# 09 - SCISSOR LIFT / ÉLÉVATEUR A CISEAU



074-09-SCISSOR LIFT

# 09 - SCISSOR LIFT / ÉLÉVATEUR A CISEAU

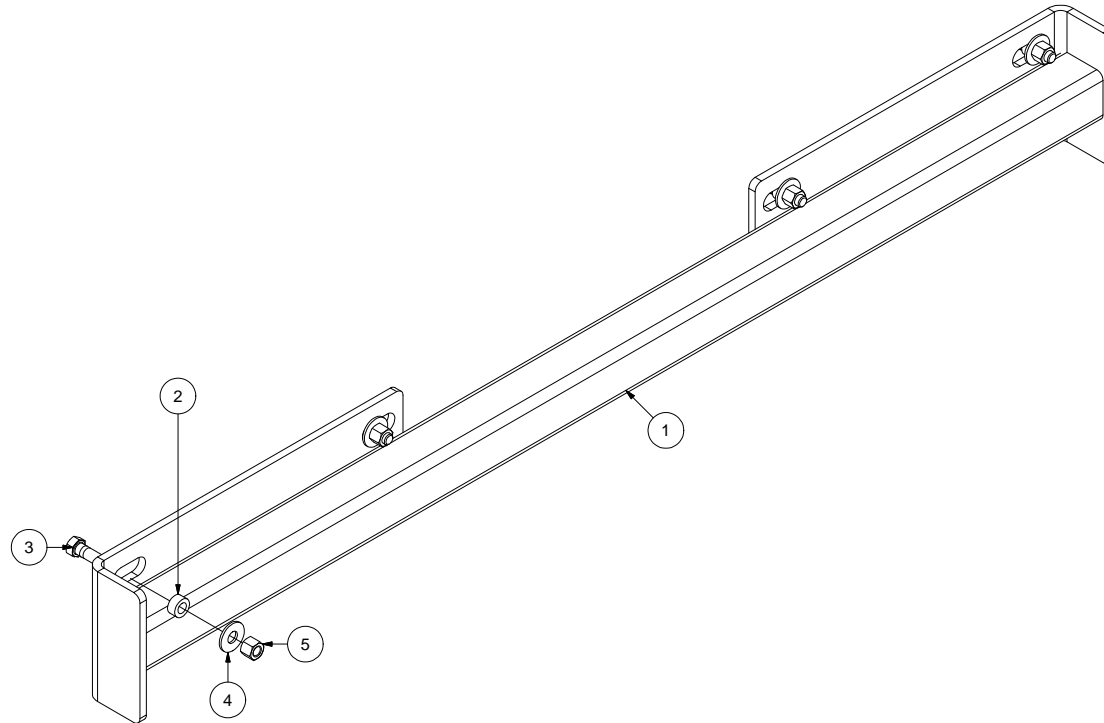


| ITEM | QT | PART/PIECE | ENGLISH DESCRIPTION                             | DESCRIPTION FRANCAISE                                 | NOTE |
|------|----|------------|---|---|------|
| 1    | 7  | 501035     | HEX NYLON LOCKNUT GR5 5/8-11 Z                  | ÉCROU NYLON IND HEX GR5 5/8-11 Z                      |      |
| 2    | 7  | 500243     | HEX BOLT GR5 5/8-11 X 1 1/2                     | BOULON HEX GR5 5/8-11 X 1 1/2                         |      |
| 3    | 1  | 488051     | PIN   | AXE   |      |
| 4    | 1  | 234845     | PIN   | AXE   |      |
| 5    | 1  | 488052     | PIN   | AXE   |      |
| 6    | 1  | 234847     | FLAT WASHER                                     | RONDELLE PLATE  |      |
| 7    | 6  | 303094     | PTFE OIL-LUBRICATED SAE 841 BRONZE FLAT WASHER  | RONDELLE PLATE SAE 841 BRONZE PTFE LUBRIFIÉ À L'HUILE |      |
| 8    | 6  | 488054     | FLAT WASHER                                     | RONDELLE PLATE  |      |
| 9    | 6  | 303091     | COMPOSITE BUSHING                               | PALLIER COMPOSITE                                     |      |
| 10   | 4  |            | WHEEL   | ROULETTE  |      |
| 10.1 | 1  | 488018     | WHEEL   | ROULETTE  |      |
| 10.2 | 2  | 320128     | INTERNAL RETAINING RING 2.062 BO                | BAGUE RETENUE INTÉRIEURE 2.062 ON                     |      |
| 10.3 | 2  | 303117     | BEARING 3205                                    | ROULEMENT 3205  |      |
| 11   | 3  | 500088     | HEX BOLT 3/8-16 UNC X 1,5 GR5 Z                 | BOULON HEX 3/8-16 UNC X 1,5 GR5 Z                     |      |
| 12   | 5  | 501032     | HEX NYLON-INSERT LOCKNUT 3/8 - 16 GR2 Z         | ÉCROU FREINÉ INSERT-NYLON HEX 3/8 - 16 GR2 Z          |      |
| 13   | 5  | 502004     | FLAT WASHER USS 0,375 X 1 Z                     | RONDELLE PLATE USS 0,375 X 1 Z                        |      |
| 14   | 1  |            | ASSEMBLED BUMPER                                | PARRE-CHOC ASSEMBLÉ                                   |      |
| 14.1 | 1  | 234850     | BRACKET   | FERRURE   |      |
| 14.2 | 2  | 488014     | BUMPER  | PARRE-CHOC  |      |
| 14.3 | 2  | 507109     | HEX FLAT HEAD SOCKET BOLT 1/4-20 UNC X 1,5 P BO | BOULON À TÊTE CREUSE PLATE HEX 1/4-20 UNC X 1,5 P ON  |      |
| 14.4 | 2  | 501030     | HEX NYLON-INSERT LOCKNUT 1/4 - 20 GR2 Z         | ÉCROU FREINÉ INSERT-NYLON HEX 1/4 - 20 GR2 Z          |      |
| 14.5 | 2  | 500539     | CARRIAGE BOLT GR5 5/8-11 X 1 1/2 Z              | BOULON À CARROSSERIE GR5 5/8-11 X 1 1/2 Z             |      |
| 15   | 4  | 320005     | EXTERNAL RETAINING RING 1 BO X 0,042 BO         | BAGUE RETENUE EXTERNE 1 BO X 0,042 ON                 |      |
| 16   | 4  | 488059     | FLAT WASHER                                     | RONDELLE PLATE  |      |
| 17   | 1  | 488069     | NARROW SCISSOR LIFT MEMBER                      | MEMBRURE ÉLÉVATEUR À CISEAU ÉTROITE                   |      |
| 18   | 1  | 488067     | WIDE SCISSOR LIFT MEMBER                        | MEMBRURE ÉLÉVATEUR À CISEAU LARGE                     |      |
| 19   | 1  | 467008     | HYDRAULIC CYLINDER                              | CYLINDRE HYDRAULIQUE                                  |      |
| 20   | 1  | 488064     | PIN   | AXE   |      |
| 21   | 1  | 488063     | PIN   | AXE   |      |
| 22   | 2  | 500090     | HEX BOLT 3/8-16 UNC X 1,75 GR5 Z                | BOULON HEX 3/8-16 UNC X 1,75 GR5 Z                    |      |
| 23   | 1  | 502048     | SPLIT SPRING LOCKWASHER 1/2 Z                   | RONDELLE FREINÉE À RESSORT FENDUE 1/2 Z               |      |
| 24   | 1  | 500173     | HEX BOLT GR5 1/2-13 X 1                         | BOULON HEX GR5 1/2-13 X 1                             |      |
| 25   | 1  | 452535     | 6 M.ORFS - 6 M.ORB 90°                          | 6 M.ORFS - 6 M.ORB 90°                                |      |
| 26   | 1  | 451115     | 6 M.ORB - 4 F.NPT                               | 6 M.ORB - 4 F.NPT                                     |      |
| 27   | 1  | 470993-1   | BREATHER 1/4 NPT 70.2140                        | RENIFLARD 1/4 NPT 70.2140                             |      |
| 28   | 1  | 234851     | SCISSOR LIFT BED                                | LIT ÉLÉVATEUR À CISEAU                                |      |
| 29   | 1  | 488070     | LOWER SCISSOR LIFT                              | CHARIOT ÉLÉVATEUR À CISEAU INFÉRIEUR                  |      |
| 30   | 1  | 315066     | BU1506 HYDRAULIC CYLINDER SEAL KIT              | ENSEMBLE JOINT CYLINDRE HYDRAULIQUE BU1506            |      |

| ITEM | QT | PART/PIECE | ENGLISH DESCRIPTION | DESCRIPTION FRANCAISE                | NOTE |
|------|----|------------|---------------------|--------------------------------------|------|
| A    | 1  | 488069     | LOWER SCISSOR LIFT  | CHARIOT ÉLÉVATEUR À CISEAU INFÉRIEUR |      |
| B    | 1  | 234853     | SCISSOR LIFT BED    | LIT ÉLÉVATEUR À CISEAU               |      |

074-09-SCISSOR LIFT

# 09A - SCISSOR LIFT / ÉLÉVATEUR A CISEAU



074-09A-A-SCISSOR

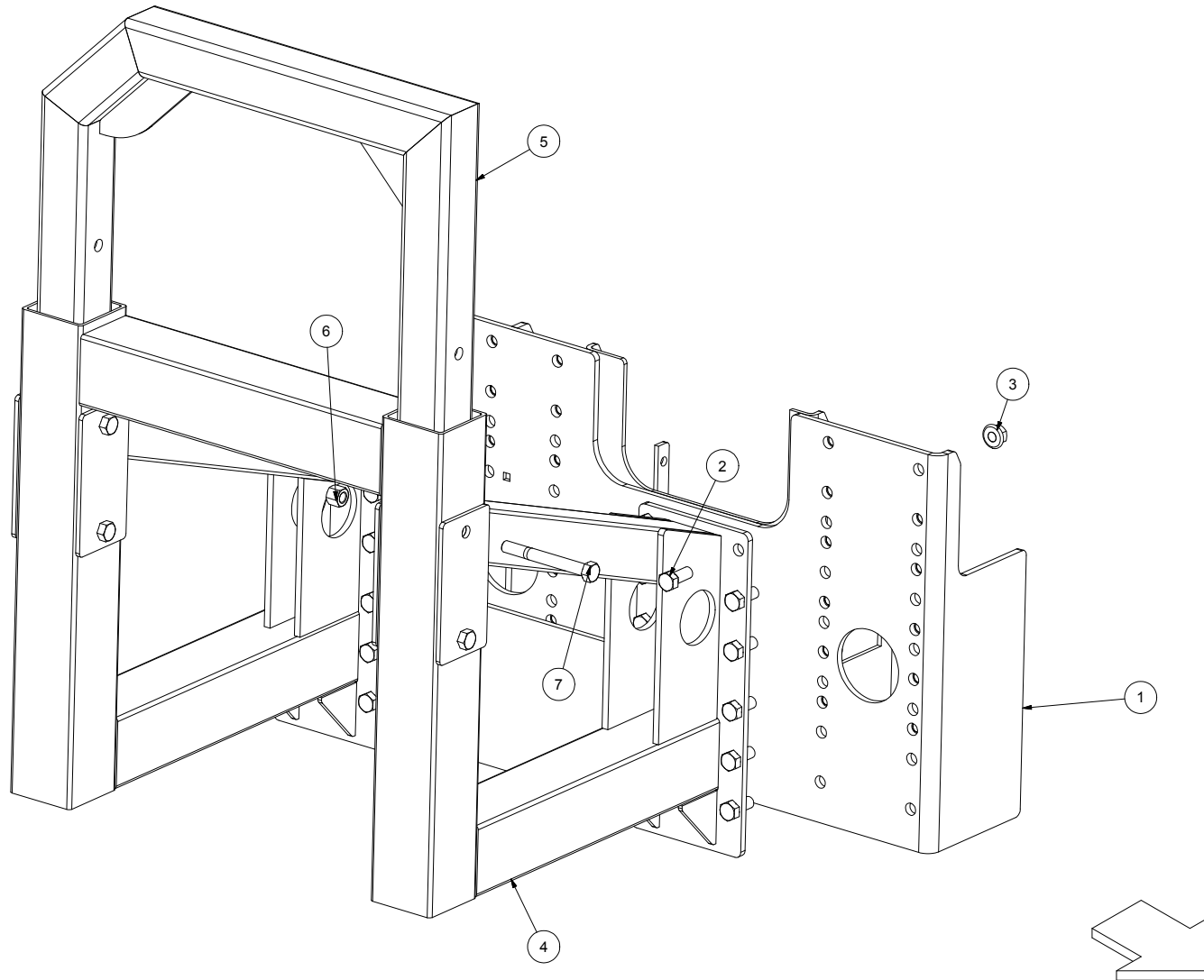
# 09A - SCISSOR LIFT / ÉLÉVATEUR A CISEAU



| ITEM | QT | PART/PIECE | ENGLISH DESCRIPTION                     | DESCRIPTION FRANCAISE                        | NOTE |
|------|----|------------|---|--|------|
| 1    | 1  | 234842     | SCISSOR LIFT MOVING TUBE                | TUBE-MOUVEMENT DES ÉLÉVATEURS À CISEAU       |      |
| 2    | 8  | 488075     | SPACER 050-087-0425-Z                   | ESPACEUR 050-087-0425-Z                      |      |
| 3    | 8  | 500179     | HEX BOLT 1/2-13 UNC X 1,75 GR5 Z        | BOULON HEX 1/2-13 UNC X 1,75 GR5 Z           |      |
| 4    | 8  | 502006-1   | FLAT WASHER USS 0,5 X 1,375 Z           | RONDELLE PLATE USS 0,5 X 1,375 Z             |      |
| 5    | 8  | 501034     | HEX NYLON-INSERT LOCKNUT 1/2 - 13 GR2 Z | ÉCROU FREINÉ INSERT-NYLON HEX 1/2 - 13 GR2 Z |      |

074-09A-A-SCISSOR

# 10 - FENCE / BARRIÈRE



074-10-FENCE

# 10 - FENCE / BARRIÈRE

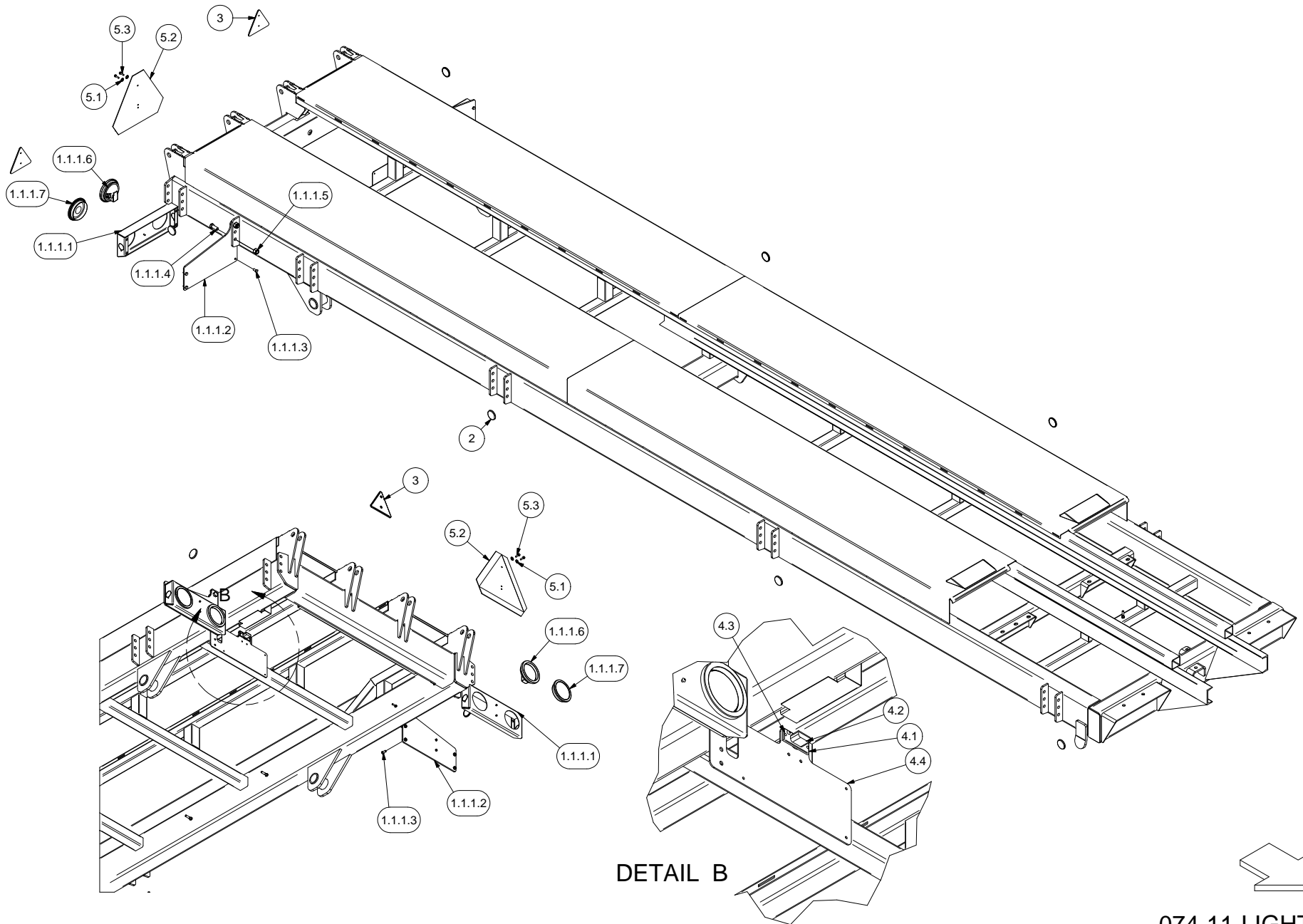


**ANDERSON**

| ITEM | QT | PART/PIECE | ENGLISH DESCRIPTION                      | DESCRIPTION FRANCAISE                        | NOTE |
|------|----|------------|--|--|------|
| 1    | 1  | 234866     | FENCE HOLDER                             | SUPPORT BARRIÈRE                             |      |
| 2    | 24 | 500243     | HEX BOLT 5/8-11 UNC X 1,5 GR5 Z          | BOULON HEX 5/8-11 UNC X 1,5 GR5 Z            |      |
| 3    | 24 | 501025     | HEX SERRATED FLANGE NUT 5/8-11 UNC GR2 Z | ÉCROU HEX À BRIDE CRANTÉE 5/8-11 UNC GR2 Z   |      |
| 4    | 1  | 234872     | FENCE FIXED PART                         | BARRIÈRE PARTIE FIXE                         |      |
| 5    | 1  | 234873     | FENCE MOBILE PART                        | BARRIÈRE PARTIE MOBILE                       |      |
| 6    | 4  | 501035     | HEX NYLON-INSERT LOCKNUT 5/8 - 11 GR2 Z  | ÉCROU FREINÉ INSERT-NYLON HEX 5/8 - 11 GR2 Z |      |
| 7    | 4  | 500260     | HEX BOLT 5/8-11 UNC X 5,5 GR5 Z          | BOULON HEX 5/8-11 UNC X 5,5 GR5 Z            |      |

074-10-FENCE

# 11 - LIGHT / LUMIÈRE



074-11-LIGHT

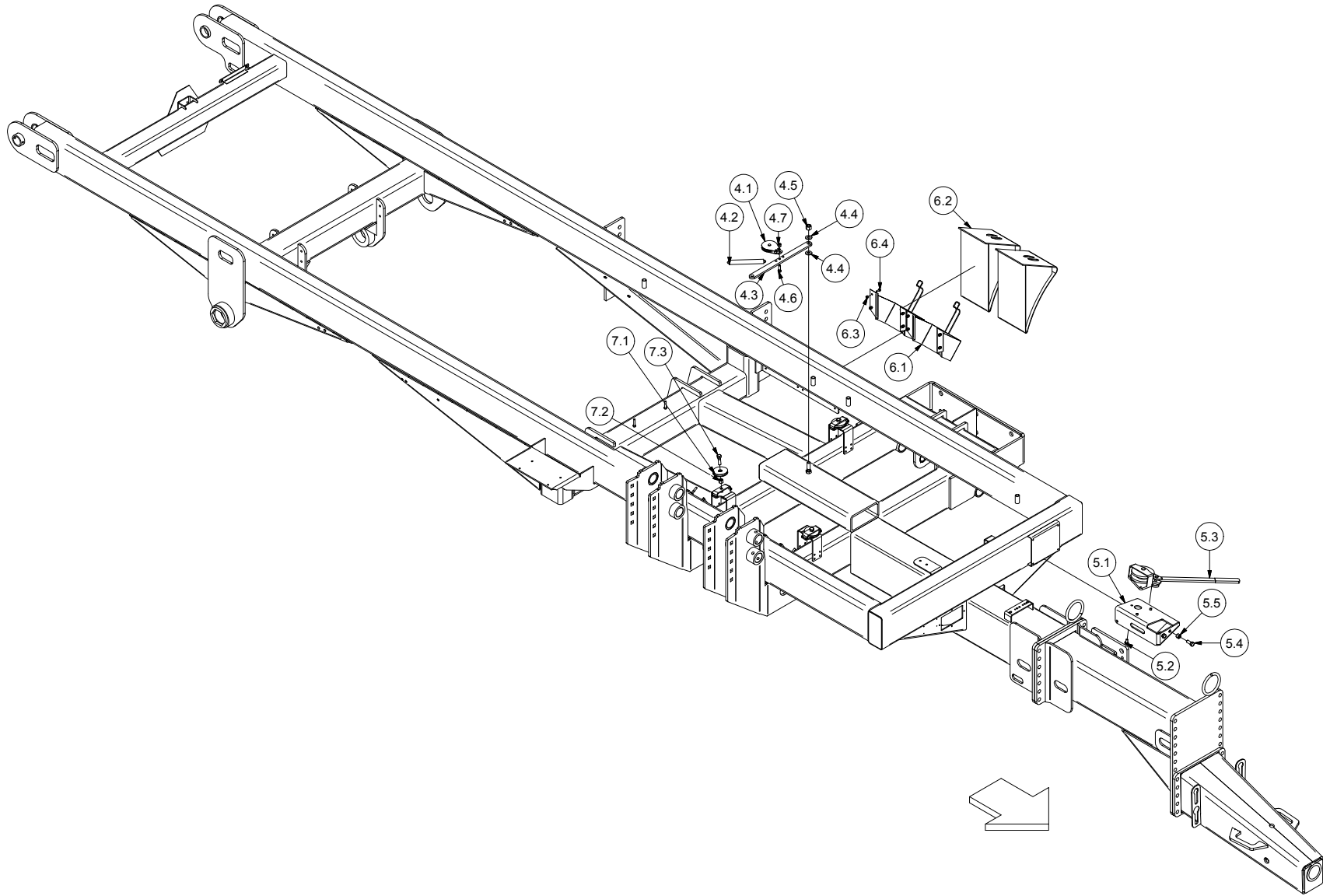
# 11 - LIGHT / LUMIÈRE



| ITEM    | QT | PART/PIECE | ENGLISH DESCRIPTION            | DESCRIPTION FRANCAISE            | NOTE |
|---------|----|------------|--------------------------------|----------------------------------|------|
| 1.1.1.1 | 1  | 234128     | LIGHT BOX                      | BOITE DE LUMIÈRE                 |      |
| 1.1.1.2 | 1  | 234127     | LIGHT SUPPORT                  | SUPPORT DE LUMIÈRE               |      |
| 1.1.1.3 | 3  | 500082     | HEX BOLT GR5 3/8-16 X 3/4      | BOULON HEX GR5 3/8-16 X 3/4      |      |
| 1.1.1.4 | 2  | 500243     | HEX BOLT GR5 5/8-11 X 1 1/2    | BOULON HEX GR5 5/8-11 X 1 1/2    |      |
| 1.1.1.5 | 2  | 501035     | HEX NYLON LOCKNUT GR5 5/8-11 Z | ÉCROU NYLON IND HEX GR5 5/8-11 Z |      |
| 1.1.1.6 | 1  | 900560     | ROAD LIGHT                     | LUMIÈRE DE ROUTE                 |      |
| 1.1.1.7 | 1  | 900561     | ROAD LIGHT                     | LUMIÈRE DE ROUTE                 |      |
| 2       | 8  | 900568     | REFLECTOR                      | RÉFLECTEUR                       |      |
| 3       | 2  | 325149     | RED REFLECTING TRIANGLE        | TRIANGLE ROUGE REFLECHISSANT     |      |
| 4.1     | 1  | 900567     | LIGHT                          | LUMIÈRE                          |      |
| 4.2     | 2  | 507042     | BUTTON HEAD SCREW              | VIS À MACHINE                    |      |
| 4.3     | 2  | 501050     | HEX NYLON LOCKNUT GR5 10-24 Z  | ÉCROU NYLON IND HEX GR5 10-24 Z  |      |
| 4.4     | 1  | 234137     | LICENSE PLATE SUPPORT          | SUPPORT PLAQUE D'IMMATRICULATION |      |
| 5.1     | 2  | 502002     | FLAT WASHER 1/4 Z              | RONDELLE PLATE 1/4 Z             |      |
| 5.2     | 1  | 325145     | SLOW VEHICULE TRIANGLE         | TRIANGLE VÉHICULE LENT           |      |
| 5.3     | 2  | 507040     | SELF-DRILLING SCREW            | VIS AUTO-PERCEUSE                |      |

074-11-LIGHT

# 12 - PARKING BRAKE / FREIN DE STATIONNEMENT



074-12-PARKING BRAKE

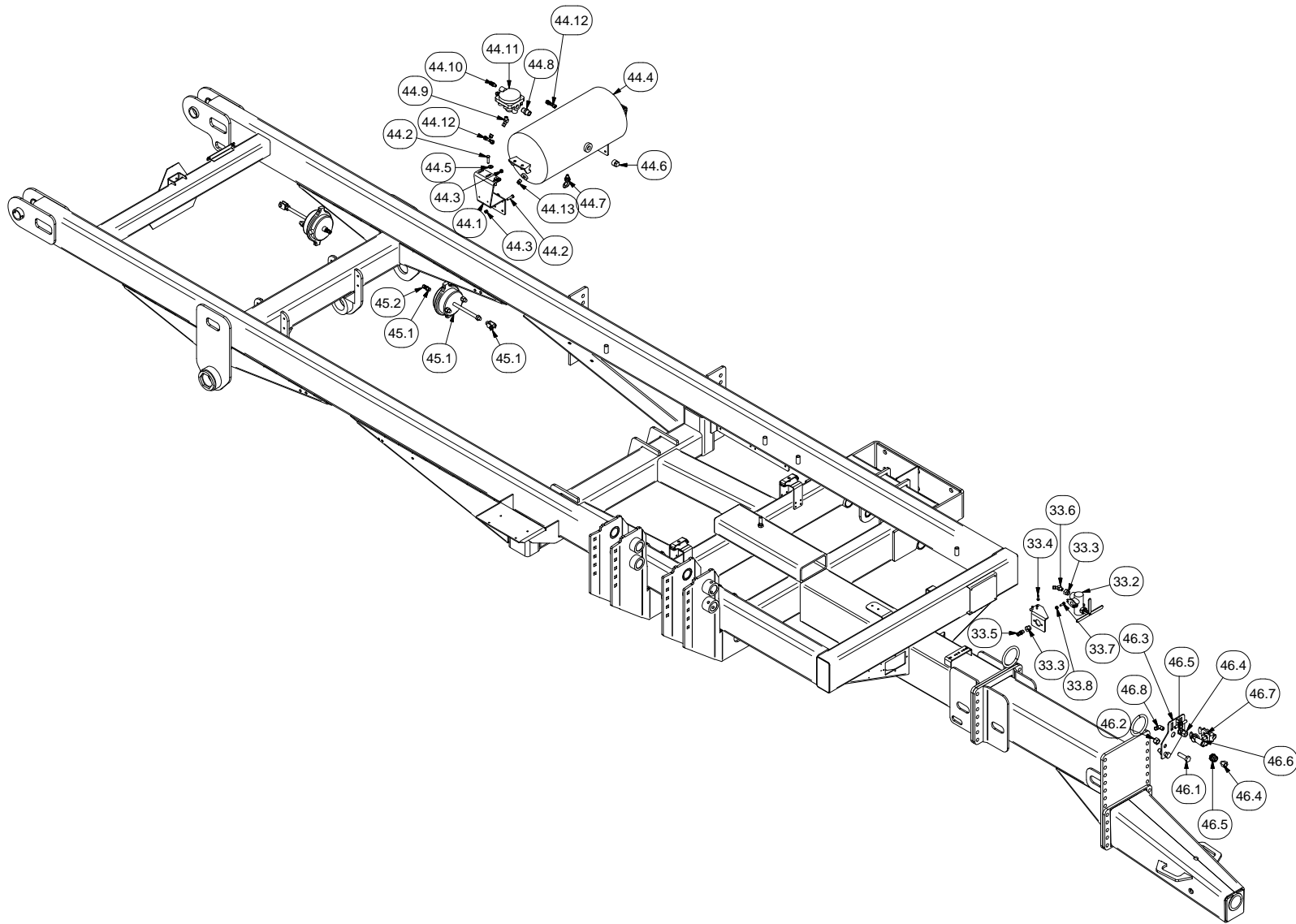
# 12 - PARKING BRAKE / FREIN DE STATIONNEMENT



| ITEM | QT  | PART/PIECE | ENGLISH DESCRIPTION                     | DESCRIPTION FRANCAISE                        | NOTE |
|------|-----|------------|---|--|------|
| 1    | 1/3 | 302501     | 1/4 STEEL CABLE                         | CÂBLE ACIER 1/4                              |      |
| 2    | 3   | 302506     | 1/4 CABLE CLAMP KIT                     | ENSEMBLE ATTACHE CÂBLE 1/4                   |      |
| 3    | 3   | 302507     | CONNECTING SHACKLE                      | MANILLE ANCRAGE                              |      |
| 4.1  | 1   | 325165     | PULLEY                                  | POULIE                                       |      |
| 4.2  | 1   | 304047     | SPRING                                  | RESSORT                                      |      |
| 4.3  | 1   | 234860     | BRACKET                                 | FERRURE                                      |      |
| 4.4  | 2   | 502008-1   | FLAT WASHER SAE 0,625 X 1,3125 Z        | RONDELLE PLATE SAE 0,625 X 1,3125 Z          |      |
| 4.5  | 1   | 501035     | HEX NYLON-INSERT LOCKNUT 5/8 - 11 GR2 Z | ÉCROU FREINÉ INSERT-NYLON HEX 5/8 - 11 GR2 Z |      |
| 4.6  | 1   | 500086     | HEX BOLT 3/8-16 UNC X 1,25 GR5 Z        | BOULON HEX 3/8-16 UNC X 1,25 GR5 Z           |      |
| 4.7  | 1   | 501032     | HEX NYLON-INSERT LOCKNUT 3/8 - 16 GR2 Z | ÉCROU FREINÉ INSERT-NYLON HEX 3/8 - 16 GR2 Z |      |
| 5.1  | 1   | 234861     | BRACKET                                 | FERRURE                                      |      |
| 5.2  | 3   | 506057     | HEX BOLT M10 X 1,5 - 16 CL8.8 Z         | BOULON HEX M10 X 1,5 - 16 CL8.8 Z            |      |
| 5.3  | 1   | 325162     | HAND BRAKE                              | FREIN À MAIN                                 |      |
| 5.4  | 2   | 500175     | HEX BOLT 1/2-13 UNC X 1,25 GR5 Z        | BOULON HEX 1/2-13 UNC X 1,25 GR5 Z           |      |
| 5.5  | 2   | 501034     | HEX NYLON-INSERT LOCKNUT 1/2 - 13 GR2 Z | ÉCROU FREINÉ INSERT-NYLON HEX 1/2 - 13 GR2 Z |      |
| 6.1  | 2   | 325161     | WHEEL SHOCK HOLDER                      | SUPPORT CALE DE ROUE                         |      |
| 6.2  | 2   | 325160     | WHEEL SHOCK                             | CALE DE ROUE                                 |      |
| 6.3  | 8   | 501030     | HEX NYLON-INSERT LOCKNUT 1/4 - 20 GR2 Z | ÉCROU FREINÉ INSERT-NYLON HEX 1/4 - 20 GR2 Z |      |
| 6.4  | 8   | 500004     | HEX BOLT 1/4-20 UNC X 0,75 GR5 Z        | BOULON HEX 1/4-20 UNC X 0,75 GR5 Z           |      |
| 7.1  | 3   | 325152     | PULLEY                                  | POULIE                                       |      |
| 7.2  | 3   | 501034     | HEX NYLON-INSERT LOCKNUT 1/2 - 13 GR2 Z | ÉCROU FREINÉ INSERT-NYLON HEX 1/2 - 13 GR2 Z |      |
| 7.3  | 3   | 500179     | HEX BOLT 1/2-13 UNC X 1,75 GR5 Z        | BOULON HEX 1/2-13 UNC X 1,75 GR5 Z           |      |

074-12-PARKING BRAKE

# 12A - AIR BRAKE / FREIN À AIR



074-12A-AIR BRAKE

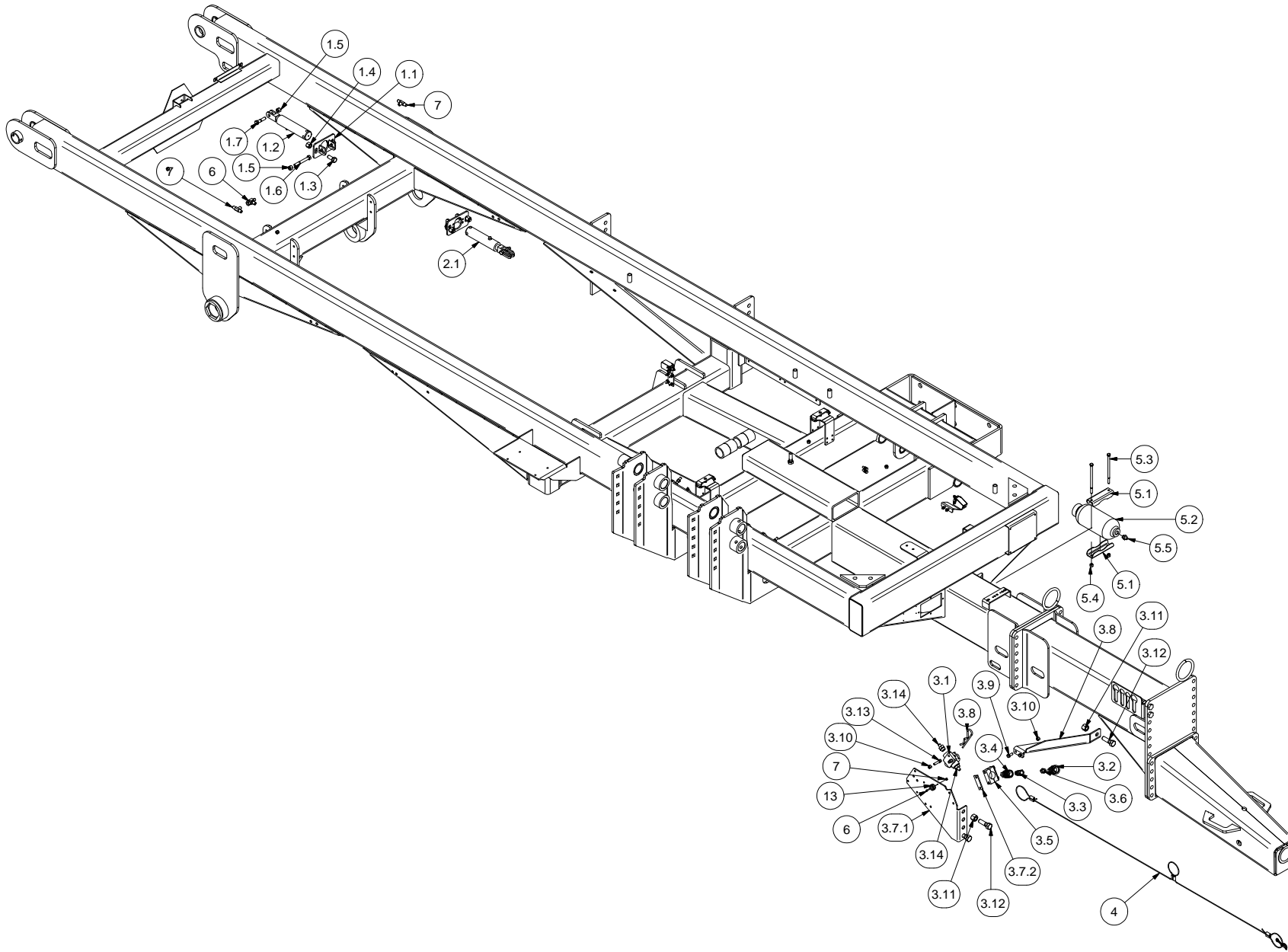
# 12A - AIR BRAKE / FREIN À AIR



| ITEM  | QT | PART/PIECE | ENGLISH DESCRIPTION                      | DESCRIPTION FRANCAISE                         | NOTE |
|-------|----|------------|--|---|------|
| 33.2  | 1  | 325163     | VALVE MANUEL DE CHARGEMENT               | MANUAL LOAD VALVE                             |      |
| 33.3  | 2  | 451449     | HYDRAULIC FITTING                        | ADAPTEUR HYDRAULIQUE                          |      |
| 33.4  | 3  | 507006     | HEX SELF-THREADING SCREW 1/4-14 X 1PO Z  | VIS AUTO-PERÇANTE 1/4-14 X 1PO Z              |      |
| 33.5  | 1  | 325070     | AIR FITTING                              | ADAPTEUR À AIR                                |      |
| 33.6  | 1  | 325072     | AIR FITTING                              | ADAPTEUR À AIR                                |      |
| 33.7  | 2  | 500044     | HEX BOLT 5/16-18 UNC X 1 GR5 Z           | BOULON HEX 5/16-18 UNC X 1 GR5 Z              |      |
| 33.8  | 2  | 501031     | HEX NYLON-INSERT LOCKNUT 5/16 - 18 GR2 Z | ÉCROU FREINÉ INSERT-NYLON HEX 5/16 - 18 GR2 Z |      |
| 44.1  | 2  | 234121     | AIR TANK SUPPORT                         | SUPPORT DE RÉSERVOIR À AIR                    |      |
| 44.2  | 8  | 500088     | HEX BOLT GR5 3/8-16 X 1 1/2              | BOULON HEX GR5 3/8-16 X 1 1/2                 |      |
| 44.3  | 8  | 501032     | HEX NYLON LOCKNUT GR5 3/8-16 Z           | ÉCROU NYLON IND HEX GR5 3/8-16 Z              |      |
| 44.4  | 1  | 325075     | AIR TANK                                 | RÉSERVOIR À AIR                               |      |
| 44.5  | 8  | 502004     | FLAT WASHER 3/8 Z                        | RONDELLE PLATE 3/8 Z                          |      |
| 44.6  | 1  | 450074     | PLUG                                     | BOUCHON                                       |      |
| 44.7  | 1  | 325079     | DRAIN VALVE                              | SOUPAPE DE PURGE                              |      |
| 44.8  | 1  | 450011     | HYDRAULIC FITTING                        | ADAPTEUR HYDRAULIQUE                          |      |
| 44.9  | 2  | 325072     | AIR FITTING                              | ADAPTEUR À AIR                                |      |
| 44.10 | 2  | 325076     | AIR FITTING                              | ADAPTEUR À AIR                                |      |
| 44.11 | 1  | 325065     | RELAY VALVE                              | VALVE RELAIS                                  |      |
| 44.12 | 2  | 325069     | AIR FITTING                              | ADAPTEUR À AIR                                |      |
| 44.13 | 2  | 450072     | PLUG                                     | BOUCHON                                       |      |
| 45.1  | 4  | 325064     | BOOSTER ASSY-BRAKE                       | AMPLIFICATEUR ASSEMBÉ FREIN                   |      |
| 45.2  | 4  | 325070     | AIR FITTING                              | ADAPTEUR À AIR                                |      |
| 46.1  | 2  | 500213-2   | HEX BOLT GR8 3/4-16 X 2 1/2              | BOULON HEX GR8 3/4-16 X 2 1/2                 |      |
| 46.2  | 2  | 501036-1   | HEX NYLON LOCKNUT GR8 3/4-16 Z           | ÉCROU NYLON IND HEX GR8 3/4-16 Z              |      |
| 46.3  | 1  | 234116-1   | HOSE SUPPORT                             | SUPPORT DE HOSE                               |      |
| 46.4  | 2  | 450086     | HYDRAULIC FITTING                        | ADAPTEUR HYDRAULIQUE                          |      |
| 46.5  | 2  | 325073     | AIR FITTING                              | ADAPTEUR À AIR                                |      |
| 46.6  | 1  | 325067     | RED CONNECTOR                            | CONNECTEUR ROUGE                              |      |
| 46.7  | 1  | 325066     | BLUE CONNECTOR                           | CONNECTEUR BLEU                               |      |
| 46.8  | 2  | 325072     | AIR FITTING                              | ADAPTEUR À AIR                                |      |
| 51    | 1  |            | ASSEMBLED SLOW VEHICULE TRIANGLE         | TRIANGLE VÉHICULE LENT                        |      |
| 52    | 1  | 501054     | HEX HALF NYLON LOCKNUT GR5 1/2-13 Z      | DEMI ÉCROU NYLON IND HEX GR5 1/2-13 Z         |      |
| 53    | 1  | 234150     | RING GUIDE SAFETY BRAKE                  | ANNEAU DE GUIDAGE FREIN DE SECURITE           |      |
| 54    | 1  | 234151     | RETAINING WASHER SAFETY BRAKE            | RONDELLE DE RETENUE FREIN DE SECURITE         |      |
| 55    | 1  | 502064     | LOCK WASHER 1/4                          | RONDELLE DE BLOCAGE 1/4                       |      |
| 56    | 1  | 506027     | HEX BOLT M6 X 1 - 12 CL8.8 Z             | BOULON HEX M6 X 1 - 12 CL8.8 Z                |      |

074-12A-AIR BRAKE

# 12B - HYDRAULIC BRAKE / FREIN HYDRAULIQUE



074-12B-HYDRAULIC BRAKE

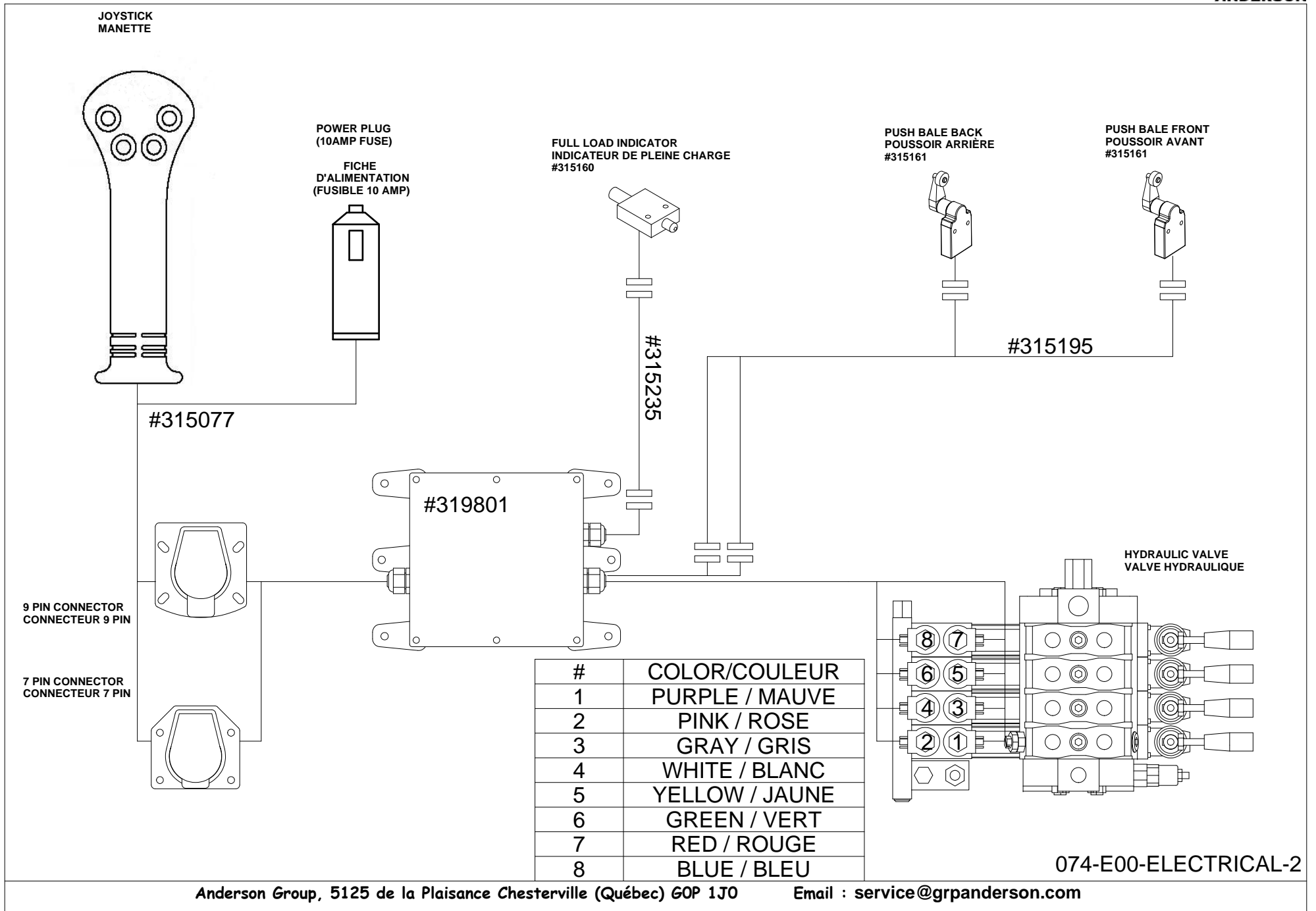
# 12B - HYDRAULIC BRAKE / FREIN HYDRAULIQUE



| ITEM  | QT | PART/PIECE                     | ENGLISH DESCRIPTION                     | DESCRIPTION FRANCAISE                        | NOTE |
|-------|----|--------------------------------|---|--|------|
| 6     | 5  | 507042                         | BUTTON HEAD SCREW                       | VIS À MACHINE                                |      |
| 7     | 5  | 501050                         | HEX NYLON LOCKNUT GR5 10-24 Z           | ÉCROU NYLON IND HEX GR5 10-24 Z              |      |
| 1.1   | 2  | 234107                         | BRAKE OPTION PLATE                      | FERRURE                                      |      |
| 1.2   | 2  | 467344                         | HYDRAULIC CYLINDER                      | CYLINDRE HYDRAULIQUE                         |      |
| 1.3   | 4  | 500243                         | HEX BOLT 5/8-11 UNC X 1,5 GR5 Z         | BOULON HEX 5/8-11 UNC X 1,5 GR5 Z            |      |
| 1.4   | 4  | 501035                         | HEX NYLON-INSERT LOCKNUT 5/8 - 11 GR2 Z | ÉCROU FREINÉ INSERT-NYLON HEX 5/8 - 11 GR2 Z |      |
| 1.5   | 4  | 501034                         | HEX NYLON-INSERT LOCKNUT 1/2 - 13 GR2 Z | ÉCROU FREINÉ INSERT-NYLON HEX 1/2 - 13 GR2 Z |      |
| 1.6   | 2  | 500189                         | HEX BOLT 1/2-13 UNC X 4 GR5 Z           | BOULON HEX 1/2-13 UNC X 4 GR5 Z              |      |
| 1.7   | 2  | 500181                         | HEX BOLT 1/2-13 UNC X 2,25 GR5 Z        | BOULON HEX 1/2-13 UNC X 2,25 GR5 Z           |      |
| 2.1   | 2  | 467345                         | HYDRAULIC CYLINDER                      | CYLINDRE HYDRAULIQUE                         |      |
| 3.1   | 1  | 465069                         | BREAK BREAKAWAY VALVE                   | VALVE DE RUPTURE FREIN                       |      |
| 3.2   | 1  | 452506                         | BRAKE QUICK COUPLING                    | RACCORD RAPIDE POUR FREIN                    |      |
| 3.3   | 1  | 452000                         | HYDRAULIC FITTING                       | ADAPTEUR HYDRAULIQUE                         |      |
| 3.4   | 1  | 452001                         | HYDRAULIC FITTING                       | ADAPTEUR HYDRAULIQUE                         |      |
| 3.5   | 1  | 322630                         | HOSE CLAMP                              | SUPPORT DE HOSE                              |      |
| 3.8   | 1  |                                | BREAK BREAKAWAY VALVE HAIRPIN           | GOUPILLE VALVE RUPTURE FREIN                 |      |
| 3.6   | 1  | 451359                         | 82505-6-6 ADAP. MALE JIC/MALE BSPP      | 82505-6-6 ADAP. MALE JIC/MALE BSPP           |      |
| 3.7.1 | 1  | 234855                         | BRACKET                                 | FERRURE                                      |      |
| 3.7.2 | 1  | 322630                         | HOSE CLAMP                              | SUPPORT DE HOSE                              |      |
| 3.8   | 1  | 234856                         | BRACKET                                 | FERRURE                                      |      |
| 3.9   | 2  | 500084                         | HEX BOLT 3/8-16 UNC X 1 GR5 Z           | BOULON HEX 3/8-16 UNC X 1 GR5 Z              |      |
| 3.10  | 4  | 501032                         | HEX NYLON-INSERT LOCKNUT 3/8 - 16 GR2 Z | ÉCROU FREINÉ INSERT-NYLON HEX 3/8 - 16 GR2 Z |      |
| 3.11  | 3  | 501036                         | HEX NYLON-INSERT LOCKNUT 3/4 - 10 GR2 Z | ÉCROU FREINÉ INSERT-NYLON HEX 3/4 - 10 GR2 Z |      |
| 3.12  | 3  | 500287                         | HEX BOLT 3/4-10 UNC X 2,5 GR5 Z         | BOULON HEX 3/4-10 UNC X 2,5 GR5 Z            |      |
| 3.13  | 2  | 507046                         | HEX SOCKET HEAD CAP SCREW 5/16 X 1 1/2  | VIS HEX CREUX TÊTE CYLINDRIQUE 5/16 X 1 1/2  |      |
| 3.14  | 3  | 451173                         | 6 M.JIC - 10 M.ORB                      | 6 M.JIC - 10 M.ORB                           |      |
| 4     | 1  | 234117                         | EMERGENCY WIRE                          | CABLE D'URGENCE                              |      |
| 5.1   | 2  | 234118                         | ACCUMULATOR FIXING BRACKET              | BRACKET DE SRAAGE DE L'ACCUMULATEUR          |      |
| 5.2   | 1  | 470134                         | ACCUMULATOR                             | ACCUMULATEUR                                 |      |
| 5.3   | 2  | 500114                         | HEX BOLT 3/8-16 UNC X 7 GR5 Z           | BOULON HEX 3/8-16 UNC X 7 GR5 Z              |      |
| 5.4   | 2  | 501032                         | HEX NYLON-INSERT LOCKNUT 3/8 - 16 GR2 Z | ÉCROU FREINÉ INSERT-NYLON HEX 3/8 - 16 GR2 Z |      |
| 5.5   | 1  | 451172                         | HYDRAULIC FITTING                       | ADAPTEUR HYDRAULIQUE                         |      |
| 6     | 1  | 450972                         | HYDRAULIC FITTING                       | ADAPTEUR HYDRAULIQUE                         |      |
| 7     | 2  | 450862                         | HYDRAULIC FITTING                       | ADAPTEUR HYDRAULIQUE                         |      |
| 13    | 1  | Viens avec / Comes with 452506 | VF 3-8 GAS F CAP                        | BOUCHON DE VF 3-8 GAS F                      |      |

074-12B-HYDRAULIC BRAKE

# E00 - ELECTRICAL / ÉLECTRIQUE



074-E00-ELECTRICAL-2

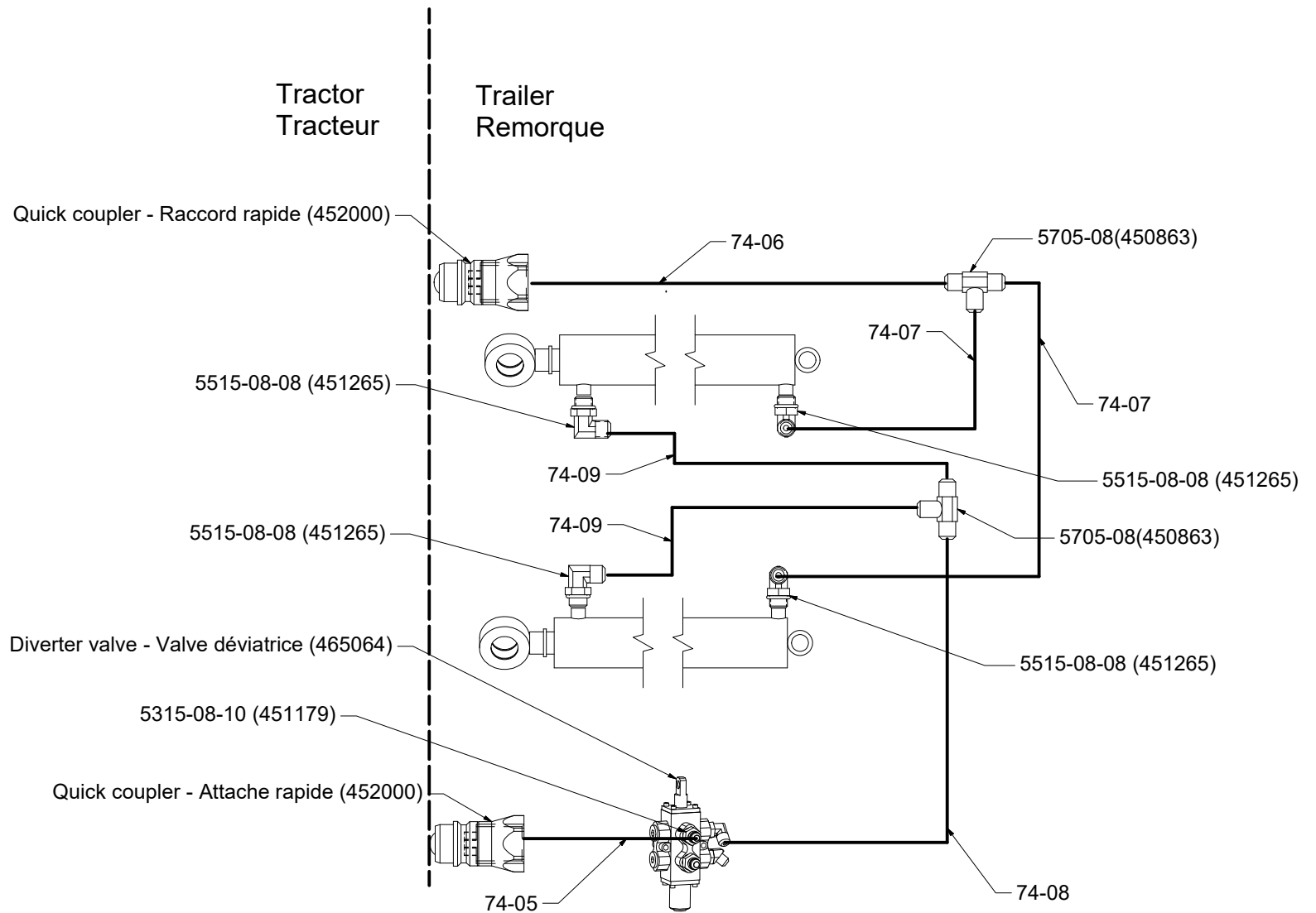
# E00 - ELECTRICAL / ÉLECTRIQUE



| QT | PART/PIECE | ENGLISH DESCRIPTION              | DESCRIPTION FRANCAISE             | NOTE |
|----|------------|----------------------------------|-----------------------------------|------|
| 1  | 315077     | COMPLETE TSR-3450 JOYSTICK       | JOYSTICK COMPLET TSR-3450         |      |
| 1  | 315195     | LIMIT SWITCH WIRE SWICH TSR-3450 | FIL LIMIT SWICH POUSSOIR TSR-3450 |      |
| 1  | 319801     | TSR-3450 RELAY BOX               | BOITE A RELAY POUR TSR-3450       |      |
| 1  | 315235     | WIRE LIMIT SWICH TÉMOIN TSR-3450 | FIL LIMIT SWICH TÉMOIN TSR-3450   |      |

074-E00-ELECTRICAL-2

# H01 - DOMPER / DOMPEUR



074-H01-DOMPER

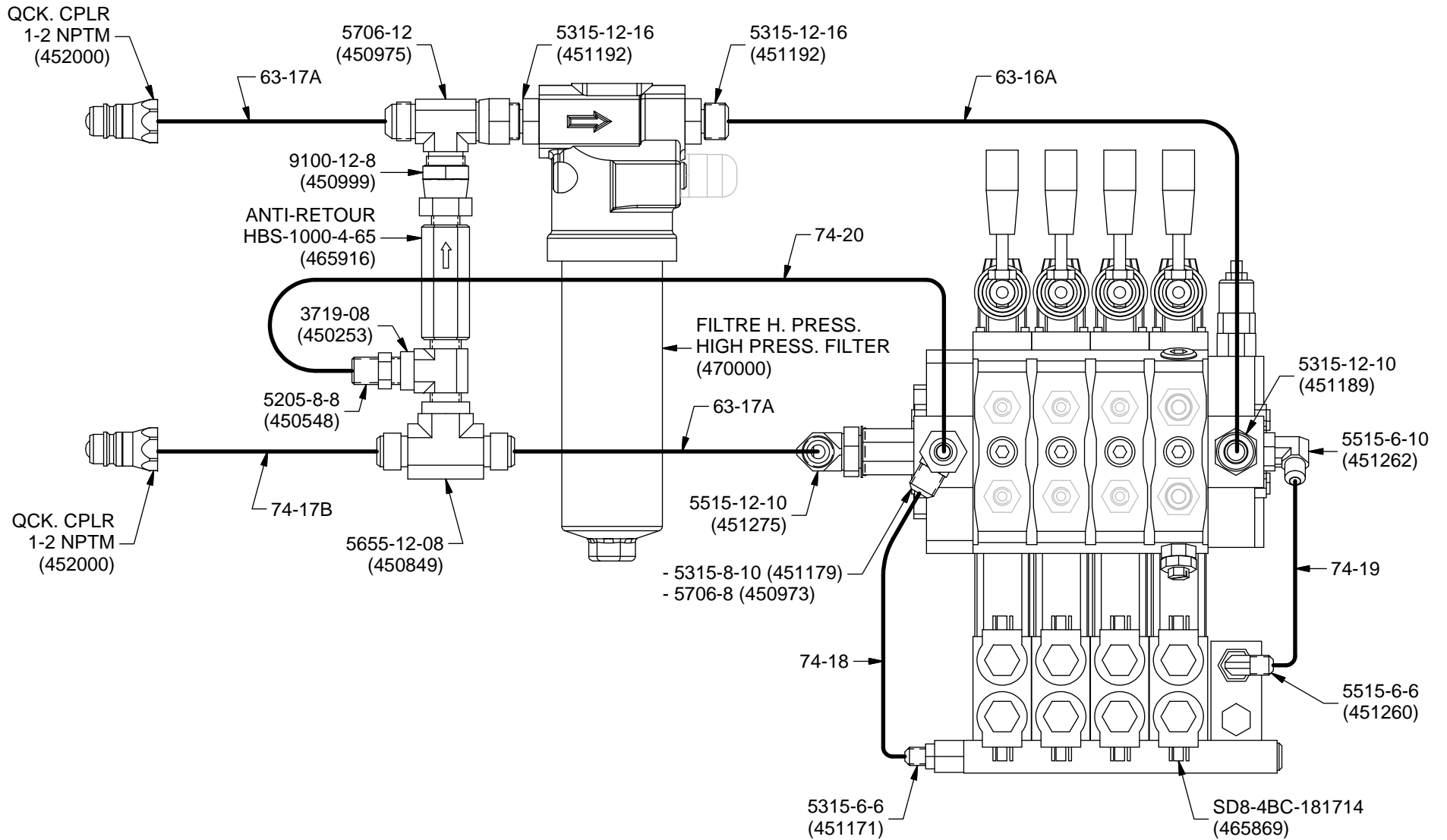
# H01 - DOMPER / DOMPEUR



| ITEM | QT | PART/PIECE | ENGLISH DESCRIPTION | DESCRIPTION FRANCAISE | NOTE |
|------|----|------------|---------------------|-----------------------|------|
| 1    |    |            | HOSE 74-01A         | BOYAUX 74-01A         |      |
| 2    |    |            | HOSE 74-01B         | BOYAUX 74-01B         |      |
| 3    |    |            | HOSE 74-02          | BOYAUX 74-02          |      |
| 4    |    |            | HOSE 74-03          | BOYAUX 74-03          |      |
| 5    |    |            | HOSE 74-04          | BOYAUX 74-04          |      |
| 6    |    |            | HOSE 74-05          | BOYAUX 74-05          |      |
| 7    |    |            | HOSE 74-06          | BOYAUX 74-06          |      |
| 8    |    |            | HOSE 74-07          | BOYAUX 74-07          |      |
| 9    |    |            | HOSE 74-08          | BOYAUX 74-08          |      |
| 10   |    |            | HOSE 74-09          | BOYAUX 74-09          |      |
| 11   |    |            | HOSE 74-10          | BOYAUX 74-10          |      |
| 12   |    |            | HOSE 63-11          | BOYAUX 63-11          |      |
| 13   |    |            | HOSE 74-12          | BOYAUX 74-12          |      |
| 14   |    |            | HOSE 74-13          | BOYAUX 74-13          |      |
| 15   |    |            | HOSE 74-14A         | BOYAUX 74-14A         |      |
| 16   |    |            | HOSE 63-14B         | BOYAUX 63-14B         |      |
| 17   |    |            | HOSE 74-15A         | BOYAUX 74-15A         |      |
| 18   |    |            | HOSE 74-15B         | BOYAUX 74-15B         |      |
| 19   |    |            | HOSE 63-16A         | BOYAUX 63-16A         |      |
| 20   |    |            | HOSE 63-16B         | BOYAUX 63-16B         |      |
| 21   |    |            | HOSE 63-17A         | BOYAUX 63-17A         |      |
| 22   |    |            | HOSE 63-17B         | BOYAUX 63-17B         |      |
| 23   |    |            | HOSE 74-18          | BOYAUX 74-18          |      |
| 24   |    |            | HOSE 74-19          | BOYAUX 74-19          |      |
| 25   |    |            | HOSE 74-20          | BOYAUX 74-20          |      |
| 26   |    |            | HOSE 74-21          | BOYAUX 74-21          |      |
| 27   |    |            | HOSE 74-22          | BOYAUX 74-22          |      |
| 28   |    |            | HOSE 74-23          | BOYAUX 74-23          |      |

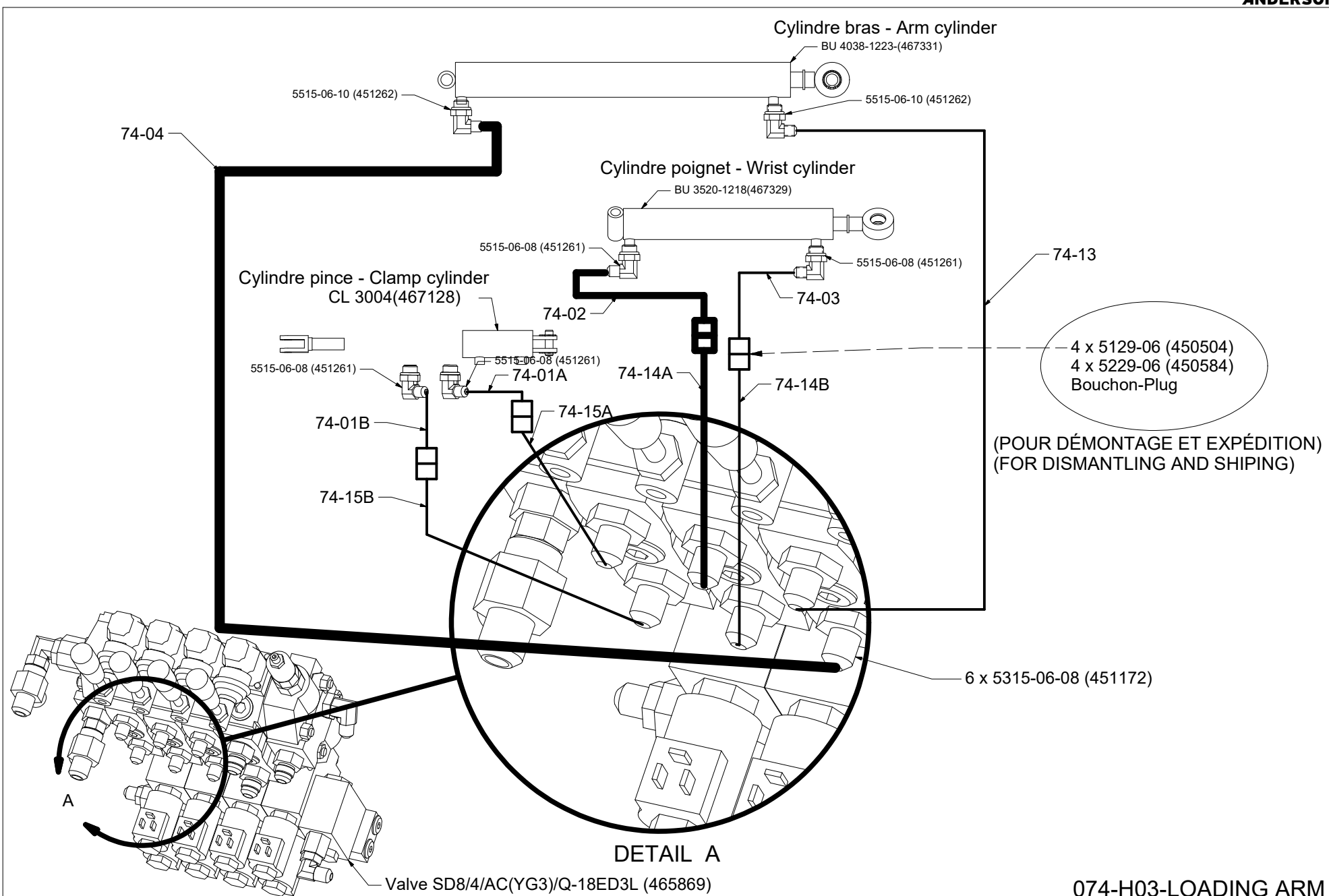
074-H01-DOMPER

# H02 - POWER SUPPLY / ALIMENTATION DE PUISSANCE



074-H02-POWER-SUPPLY

# H03 - LOADING ARM / BRAS DE CHARGEMENT



074-H03-LOADING ARM

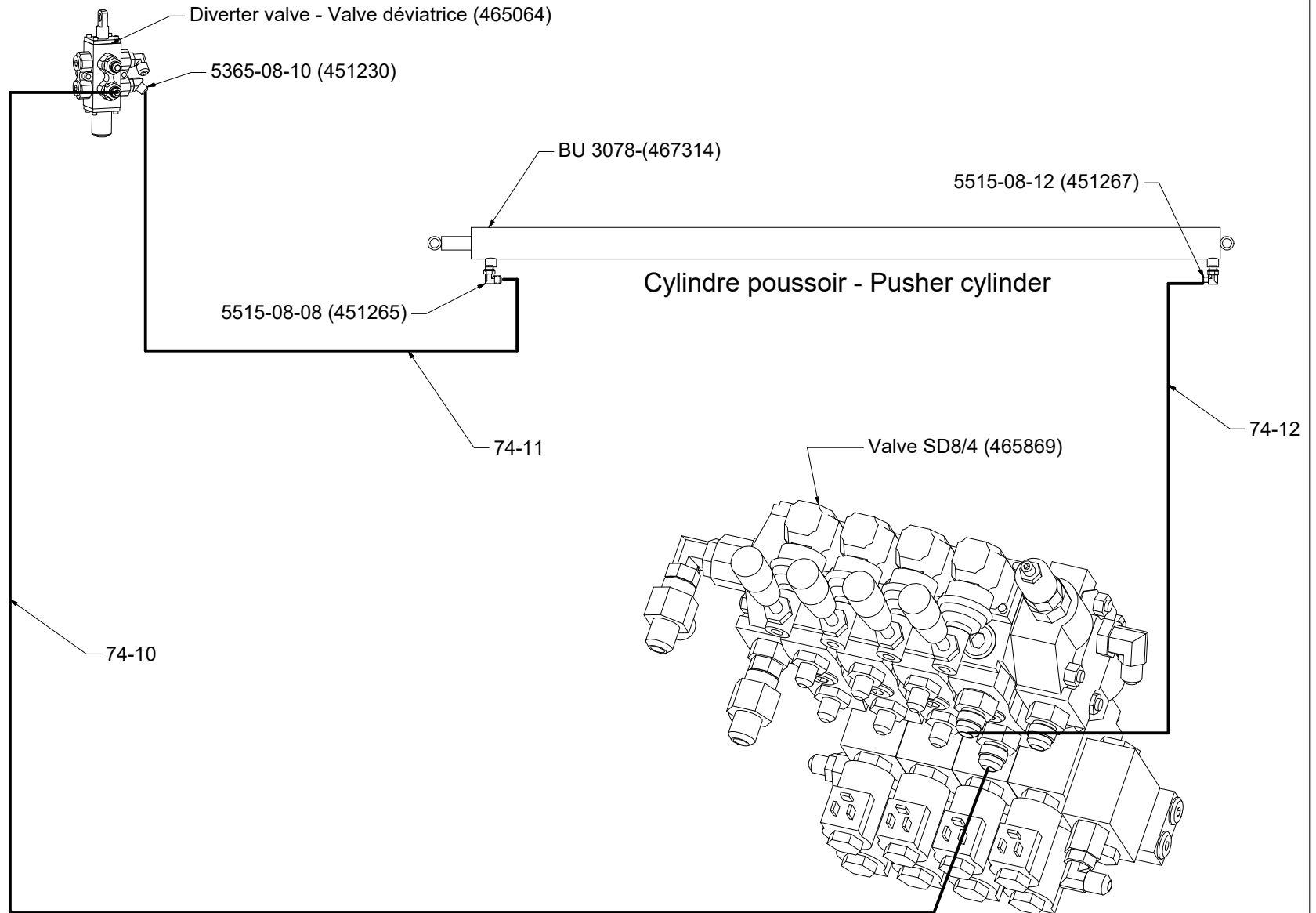
# H03 - LOADING ARM / BRAS DE CHARGEMENT



| ITEM | QT | PART/PIECE | ENGLISH DESCRIPTION | DESCRIPTION FRANCAISE | NOTE |
|------|----|------------|---------------------|-----------------------|------|
| 1    |    |            | HOSE 74-01A         | BOYAUX 74-01A         |      |
| 2    |    |            | HOSE 74-01B         | BOYAUX 74-01B         |      |
| 3    |    |            | HOSE 74-02          | BOYAUX 74-02          |      |
| 4    |    |            | HOSE 74-03          | BOYAUX 74-03          |      |
| 5    |    |            | HOSE 74-04          | BOYAUX 74-04          |      |
| 6    |    |            | HOSE 74-05          | BOYAUX 74-05          |      |
| 7    |    |            | HOSE 74-06          | BOYAUX 74-06          |      |
| 8    |    |            | HOSE 74-07          | BOYAUX 74-07          |      |
| 9    |    |            | HOSE 74-08          | BOYAUX 74-08          |      |
| 10   |    |            | HOSE 74-09          | BOYAUX 74-09          |      |
| 11   |    |            | HOSE 74-10          | BOYAUX 74-10          |      |
| 12   |    |            | HOSE 74-11          | BOYAUX 74-11          |      |
| 13   |    |            | HOSE 74-12          | BOYAUX 74-12          |      |
| 14   |    |            | HOSE 74-13          | BOYAUX 74-13          |      |
| 15   |    |            | HOSE 74-14A         | BOYAUX 74-14A         |      |
| 16   |    |            | HOSE 63-14B         | BOYAUX 63-14B         |      |
| 17   |    |            | HOSE 74-15A         | BOYAUX 74-15A         |      |
| 18   |    |            | HOSE 74-15B         | BOYAUX 74-15B         |      |
| 19   |    |            | HOSE 63-16A         | BOYAUX 63-16A         |      |
| 20   |    |            | HOSE 63-16B         | BOYAUX 63-16B         |      |
| 21   |    |            | HOSE 63-17A         | BOYAUX 63-17A         |      |
| 22   |    |            | HOSE 63-17B         | BOYAUX 63-17B         |      |
| 23   |    |            | HOSE 74-18          | BOYAUX 74-18          |      |
| 24   |    |            | HOSE 74-19          | BOYAUX 74-19          |      |
| 25   |    |            | HOSE 74-20          | BOYAUX 74-20          |      |
| 26   |    |            | HOSE 74-21          | BOYAUX 74-21          |      |
| 27   |    |            | HOSE 74-22          | BOYAUX 74-22          |      |
| 28   |    |            | HOSE 74-23          | BOYAUX 74-23          |      |

074-H03-LOADING ARM

# H04 - PUSH BALE / POUSSOIR



074-H04-PUSH BALE

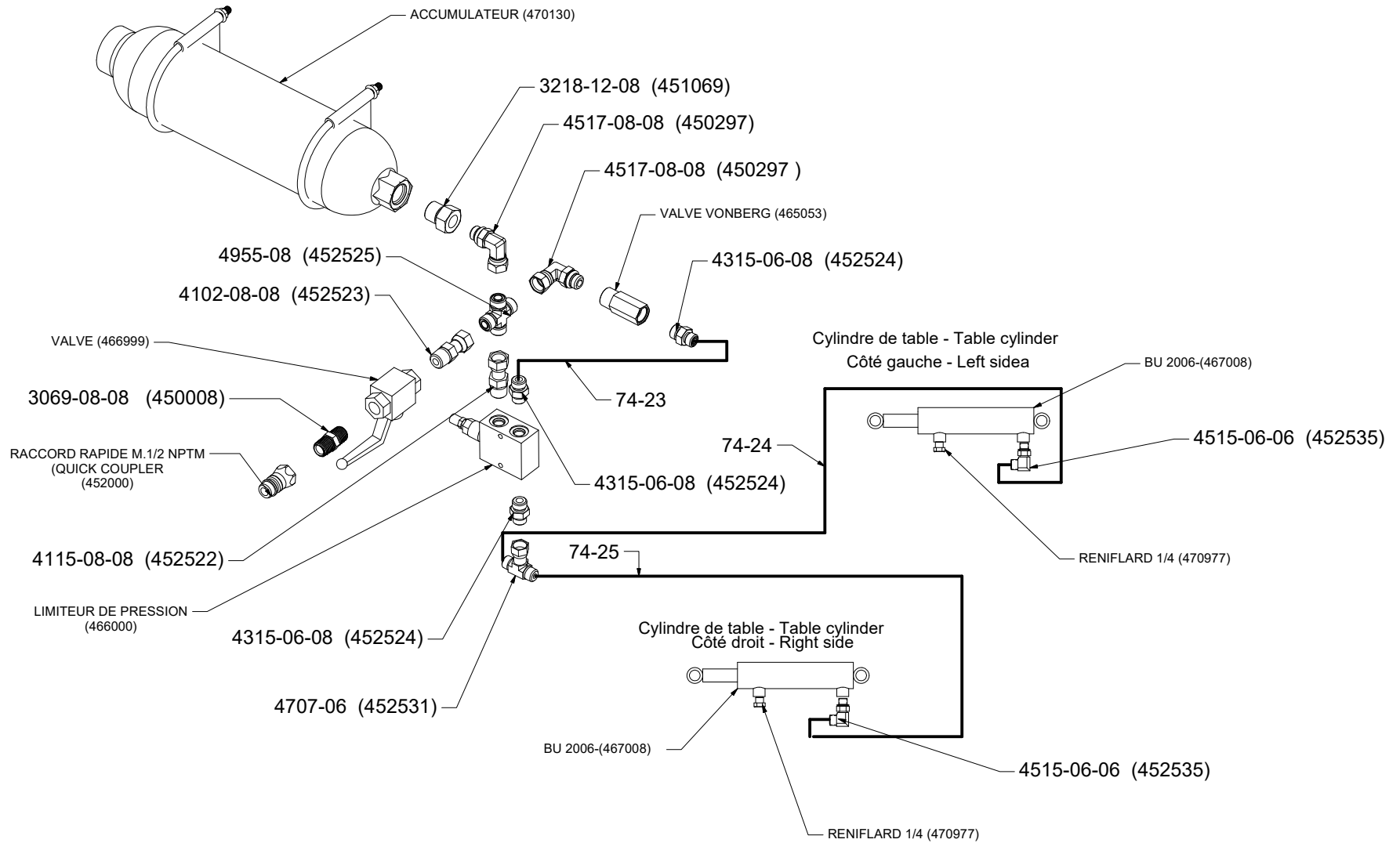
# H04 - PUSH BALE / POUSSOIR



| ITEM | QT | PART/PIECE | ENGLISH DESCRIPTION | DESCRIPTION FRANCAISE | NOTE |
|------|----|------------|---------------------|-----------------------|------|
| 1    |    |            | HOSE 74-01A         | BOYAUX 74-01A         |      |
| 2    |    |            | HOSE 74-01B         | BOYAUX 74-01B         |      |
| 3    |    |            | HOSE 74-02          | BOYAUX 74-02          |      |
| 4    |    |            | HOSE 74-03          | BOYAUX 74-03          |      |
| 5    |    |            | HOSE 74-04          | BOYAUX 74-04          |      |
| 6    |    |            | HOSE 74-05          | BOYAUX 74-05          |      |
| 7    |    |            | HOSE 74-06          | BOYAUX 74-06          |      |
| 8    |    |            | HOSE 74-07          | BOYAUX 74-07          |      |
| 9    |    |            | HOSE 74-08          | BOYAUX 74-08          |      |
| 10   |    |            | HOSE 74-09          | BOYAUX 74-09          |      |
| 11   |    |            | HOSE 74-10          | BOYAUX 74-10          |      |
| 12   |    |            | HOSE 74-11          | BOYAUX 74-11          |      |
| 13   |    |            | HOSE 74-12          | BOYAUX 74-12          |      |
| 14   |    |            | HOSE 74-13          | BOYAUX 74-13          |      |
| 15   |    |            | HOSE 74-14A         | BOYAUX 74-14A         |      |
| 16   |    |            | HOSE 63-14B         | BOYAUX 63-14B         |      |
| 17   |    |            | HOSE 74-15A         | BOYAUX 74-15A         |      |
| 18   |    |            | HOSE 74-15B         | BOYAUX 74-15B         |      |
| 19   |    |            | HOSE 63-16A         | BOYAUX 63-16A         |      |
| 20   |    |            | HOSE 63-16B         | BOYAUX 63-16B         |      |
| 21   |    |            | HOSE 63-17A         | BOYAUX 63-17A         |      |
| 22   |    |            | HOSE 63-17B         | BOYAUX 63-17B         |      |
| 23   |    |            | HOSE 74-18          | BOYAUX 74-18          |      |
| 24   |    |            | HOSE 74-19          | BOYAUX 74-19          |      |
| 25   |    |            | HOSE 74-20          | BOYAUX 74-20          |      |
| 26   |    |            | HOSE 74-21          | BOYAUX 74-21          |      |
| 27   |    |            | HOSE 74-22          | BOYAUX 74-22          |      |
| 28   |    |            | HOSE 74-23          | BOYAUX 74-23          |      |

074-H04-PUSH BALE

# H05 - SCISSOR LIFT / CHARIOT ÉLÉVATEUR



074-H05-SCISSOR LIFT

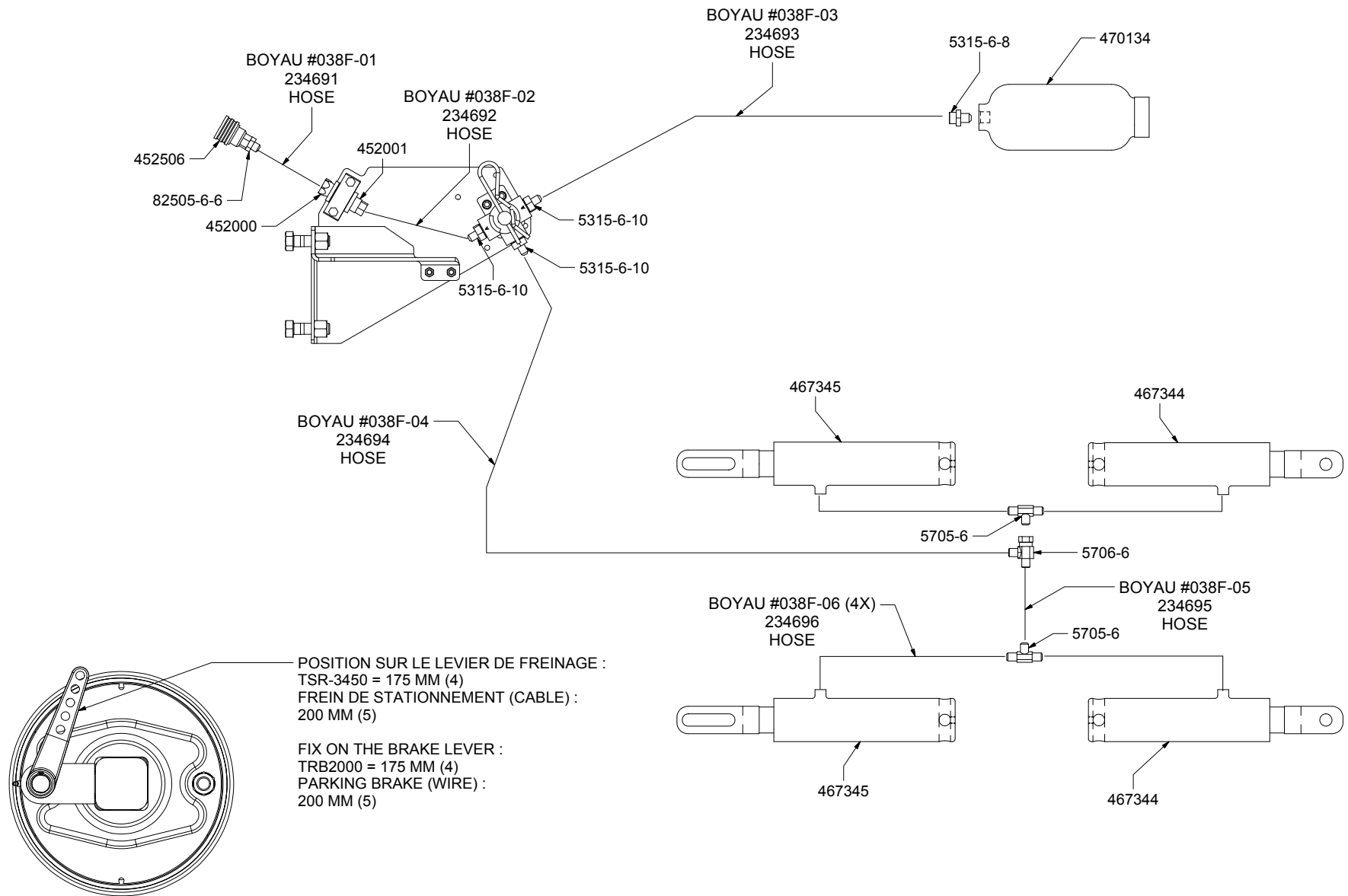
# H05 - SCISSOR LIFT / CHARIOT ÉLÉVATEUR



| ITEM | QT | PART/PIECE | ENGLISH DESCRIPTION | DESCRIPTION FRANCAISE | NOTE |
|------|----|------------|---------------------|-----------------------|------|
| 1    |    |            | HOSE 74-01A         | BOYAUX 74-01A         |      |
| 2    |    |            | HOSE 74-01B         | BOYAUX 74-01B         |      |
| 3    |    |            | HOSE 74-02          | BOYAUX 74-02          |      |
| 4    |    |            | HOSE 74-03          | BOYAUX 74-03          |      |
| 5    |    |            | HOSE 74-04          | BOYAUX 74-04          |      |
| 6    |    |            | HOSE 74-05          | BOYAUX 74-05          |      |
| 7    |    |            | HOSE 74-06          | BOYAUX 74-06          |      |
| 8    |    |            | HOSE 74-07          | BOYAUX 74-07          |      |
| 9    |    |            | HOSE 74-08          | BOYAUX 74-08          |      |
| 10   |    |            | HOSE 74-09          | BOYAUX 74-09          |      |
| 11   |    |            | HOSE 74-10          | BOYAUX 74-10          |      |
| 12   |    |            | HOSE 63-11          | BOYAUX 63-11          |      |
| 13   |    |            | HOSE 74-12          | BOYAUX 74-12          |      |
| 14   |    |            | HOSE 74-13          | BOYAUX 74-13          |      |
| 15   |    |            | HOSE 74-14A         | BOYAUX 74-14A         |      |
| 16   |    |            | HOSE 63-14B         | BOYAUX 63-14B         |      |
| 17   |    |            | HOSE 74-15A         | BOYAUX 74-15A         |      |
| 18   |    |            | HOSE 74-15B         | BOYAUX 74-15B         |      |
| 19   |    |            | HOSE 63-16A         | BOYAUX 63-16A         |      |
| 20   |    |            | HOSE 63-16B         | BOYAUX 63-16B         |      |
| 21   |    |            | HOSE 63-17A         | BOYAUX 63-17A         |      |
| 22   |    |            | HOSE 63-17B         | BOYAUX 63-17B         |      |
| 23   |    |            | HOSE 74-18          | BOYAUX 74-18          |      |
| 24   |    |            | HOSE 74-19          | BOYAUX 74-19          |      |
| 25   |    |            | HOSE 74-20          | BOYAUX 74-20          |      |
| 26   |    |            | HOSE 74-21          | BOYAUX 74-21          |      |
| 27   |    |            | HOSE 74-22          | BOYAUX 74-22          |      |
| 28   |    |            | HOSE 74-23          | BOYAUX 74-23          |      |
| 29   |    |            | HOSE 74-24          | BOYAUX 74-24          |      |
| 30   |    |            | HOSE 74-25          | BOYAUX 74-25          |      |

074-H05-SCISSOR LIFT

# H6 - HYDRAULIC BRAKE / FREIN HYDRAULIQUE



# H6 - HYDRAULIC BRAKE / FREIN HYDRAULIQUE



**ANDERSON**

| ITEM | QT | PART/PIECE | ENGLISH DESCRIPTION | DESCRIPTION FRANCAISE | NOTE |
|------|----|------------|---------------------|-----------------------|------|
| 1    |    |            | HOSE 074-01         | BOYAUX 074-01         |      |
| 3    |    |            | HOSE 074-02         | BOYAUX 074-02         |      |
| 4    |    |            | HOSE 074-03         | BOYAUX 074-03         |      |
| 5    |    |            | HOSE 074-04         | BOYAUX 074-04         |      |
| 6    |    |            | HOSE 074-05         | BOYAUX 074-05         |      |



**ANDERSON GROUP**

5125 de la Plaisance  
Chesterville (Québec)  
CANADA G0P 1J0

Email : [service@grpanderson.com](mailto:service@grpanderson.com)  
Tel. : 1-819-382-2952  
Fax. : 1-819-382-2218  
[www.grpanderson.com](http://www.grpanderson.com)