

Error #6

Sensor error OIL_TEMP

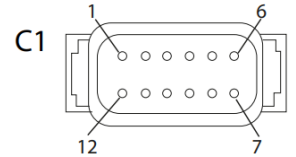
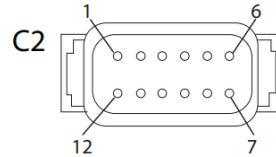
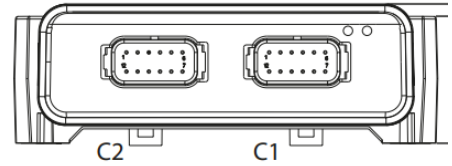
MC024 – C2P02 - Function



Identification of the controller in problem

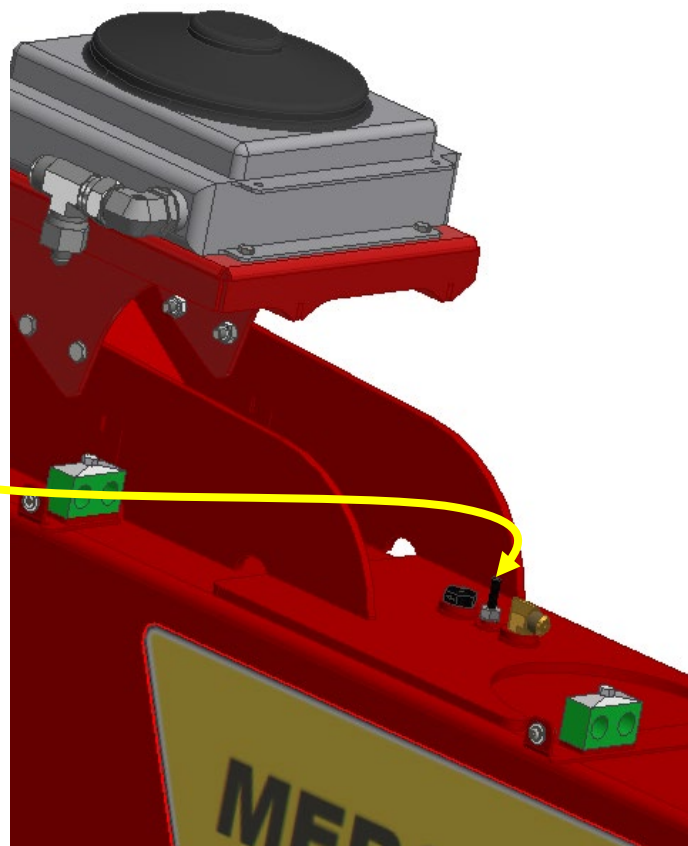
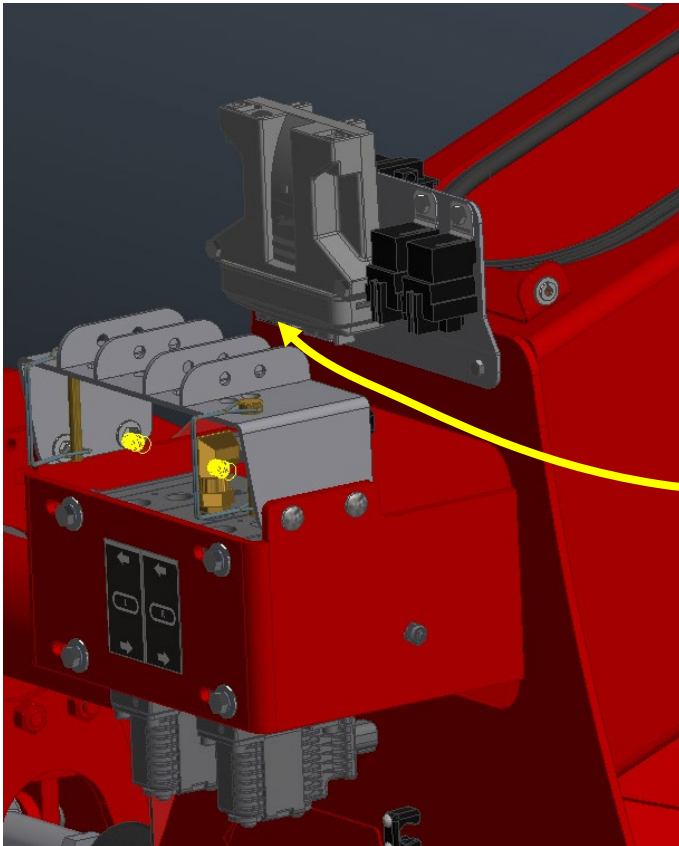
Identification of the PIN # on the controller where the wire start from

Identification of the sensor or coil's valve section where the wire go to



Error #6 means that the controller does not receive signal from the oil temperature sensor.

Inspect the wire from pin #02 of the MC024 controller's C2 connector until the oil temperature sensor located as below illustration. If the wire is not damaged, the sensor must be replaced. If you click OK on the screen, the oil cooling system will run continuously.



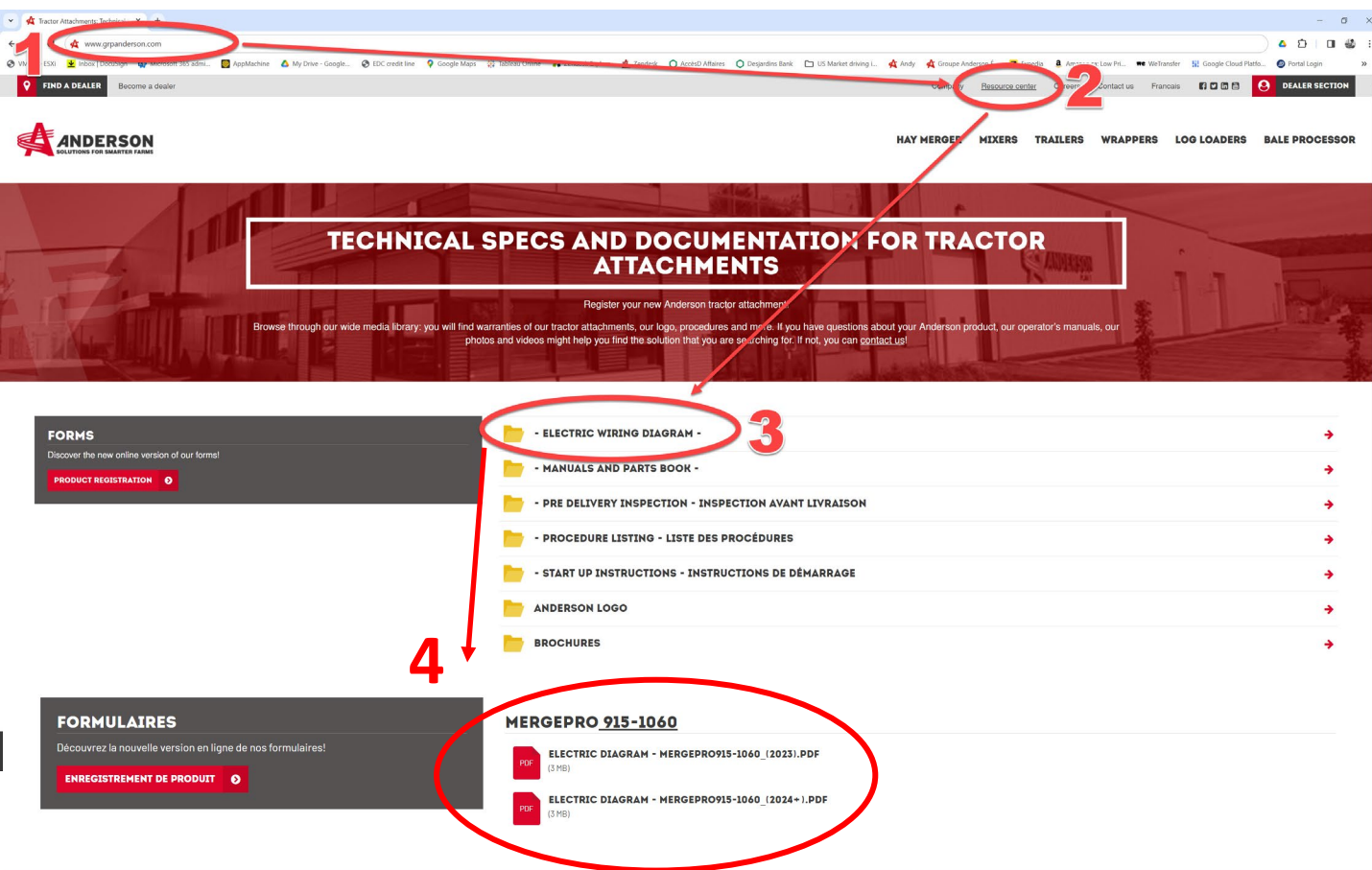
ELECTRICAL DIAGRAM

For more details, consult the electrical diagram of the machine:

- 1- Go to www.grpanderson.com
- 2- Click on Resource Center
- 3- Select the folder – Electric Wiring Diagram –
- 4- Select the folder associated with your machine – Mergepro 915-1060 –

Or follow the link below :

<https://grpanderson.com/en/resource-center/?section=2-Public%20section/-%20Electric%20wiring%20diagram%20->



The screenshot shows the Anderson website interface. The browser address bar shows www.grpanderson.com. The navigation menu includes: FIND A DEALER, Become a dealer, Resource center, Contact us, and FRANCAIS. The main header features: HAY MERGEL, MIXERS, TRAILERS, WRAPPERS, LOG LOADERS, and BALE PROCESSOR. The main content area is titled "TECHNICAL SPECS AND DOCUMENTATION FOR TRACTOR ATTACHMENTS" and includes a registration prompt. Below this, there are sections for "FORMS" and "FORMULAIRES". The "FORMS" section lists several categories with right-pointing arrows: - ELECTRIC WIRING DIAGRAM -, - MANUALS AND PARTS BOOK -, - PRE DELIVERY INSPECTION - INSPECTION AVANT LIVRAISON, - PROCEDURE LISTING - LISTE DES PROCÉDURES, - START UP INSTRUCTIONS - INSTRUCTIONS DE DÉMARRAGE, ANDERSON LOGO, and BROCHURES. The "FORMULAIRES" section is titled "MERGEPRO 915-1060" and lists two PDF documents: "ELECTRIC DIAGRAM - MERGEPRO915-1060_(2023).PDF" and "ELECTRIC DIAGRAM - MERGEPRO915-1060_(2024+).PDF". Red circles and arrows indicate the navigation path: 1. www.grpanderson.com, 2. Resource center, 3. - ELECTRIC WIRING DIAGRAM -, and 4. MERGEPRO 915-1060.

TROUVER UN CONCESSIONNAIRE

SECTION DOCUMENTATION

ACCÉDER À L'ESPACE CONCESSIONNAIRE