

Error #11 and #12 Electrical issue on the left lift/translate

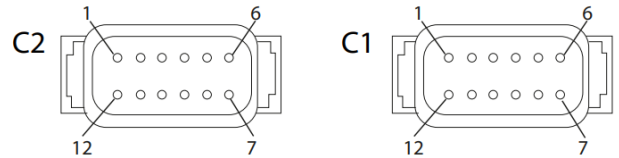
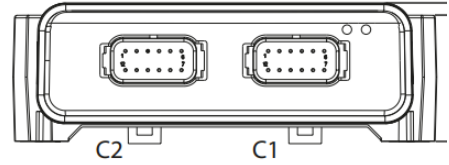
MC024 – C2P06 - Function



Identification of the controller in problem

Identification of the PIN # on the controller where the wire start from

Identification of the sensor or coil's valve section where the wire go to

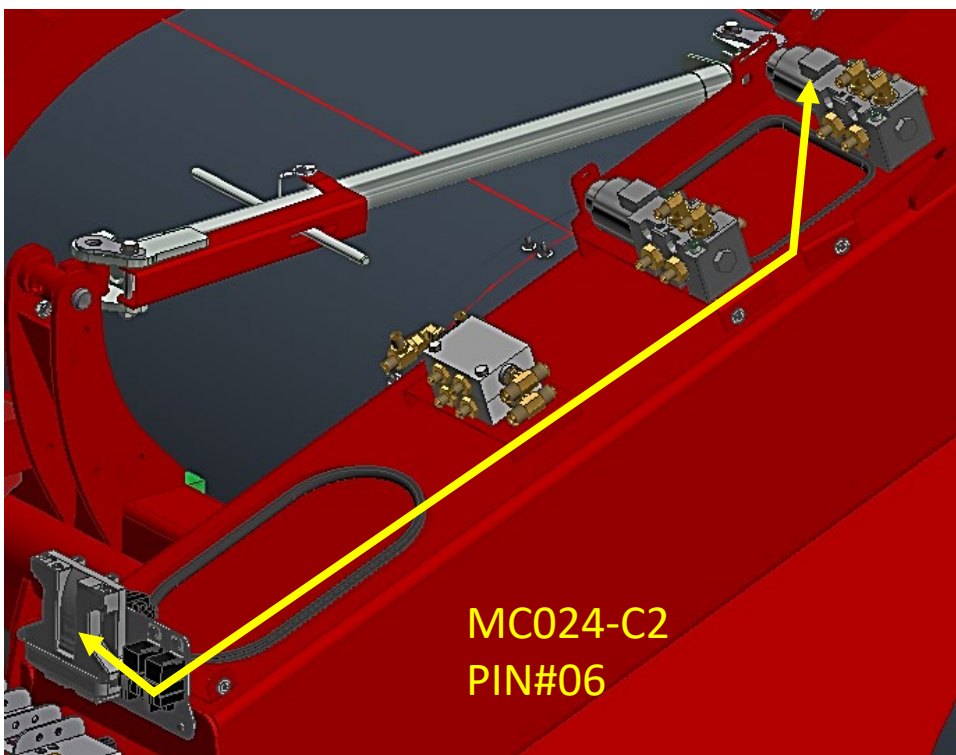


Errors #11 and #12 mean that there is a continuity issue between the selector valve coil and the controller.

Inspect the wire from pin #06 of the MC024 controller's C2 connector until the coil of the selector valve "left lift/translate" located as below illustration. Here are the two possibilities:

- Error #11: Open Circuit means that the wire is cut between the coil and of the selector valve and the controller.
- Error #12: Short-circuit means that the wire is grounded between the coil and of the selector valve and the controller.

Replace or fix the wire as needed.



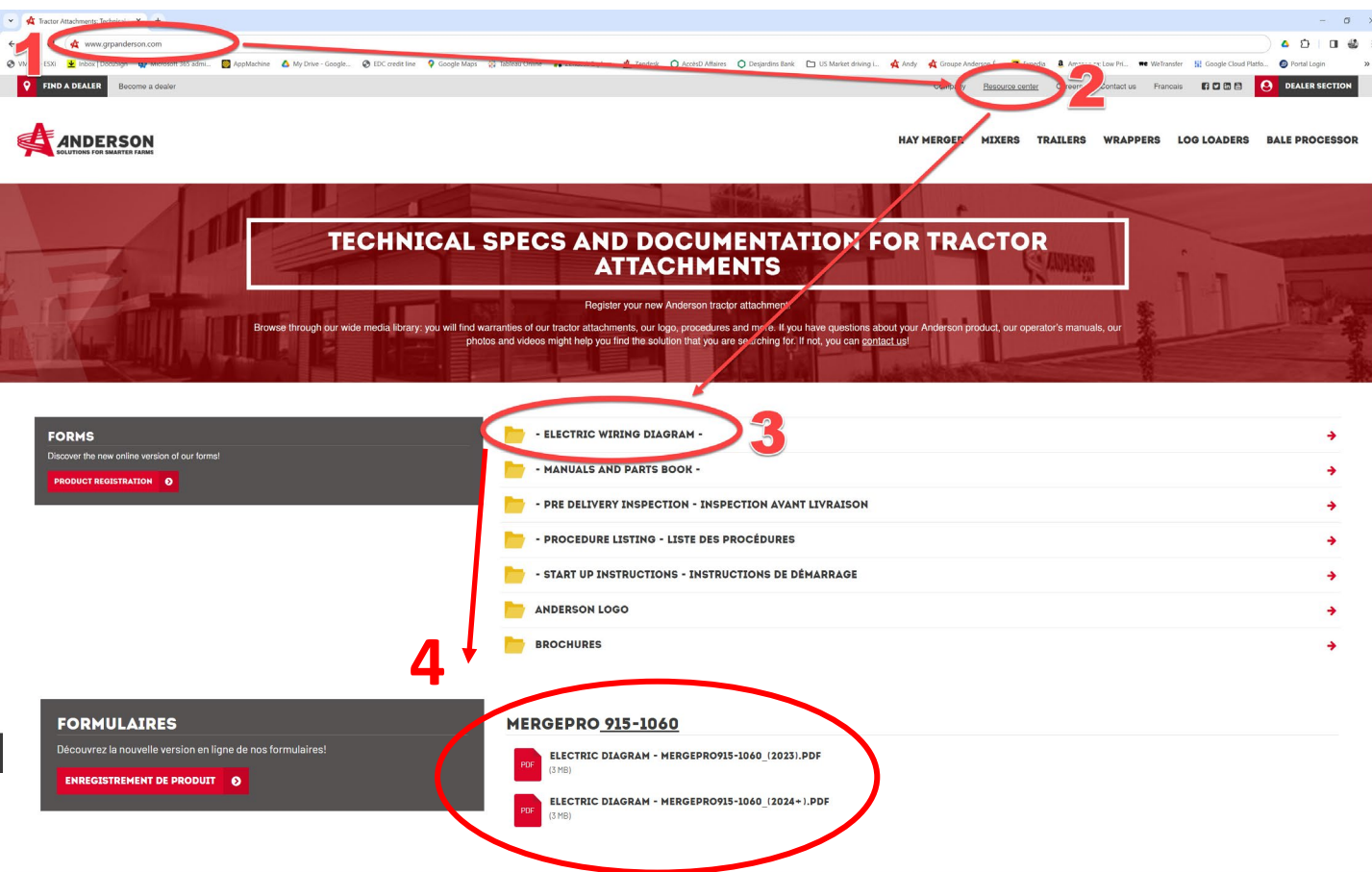
ELECTRICAL DIAGRAM

For more details, consult the electrical diagram of the machine:

- 1- Go to www.grpanderson.com
- 2- Click on Resource Center
- 3- Select the folder – Electric Wiring Diagram –
- 4- Select the folder associated with your machine – Mergepro 915-1060 –

Or follow the link below :

<https://grpanderson.com/en/resource-center/?section=2-Public%20section/-%20Electric%20wiring%20diagram%20->



The screenshot shows the Anderson website interface. The browser address bar shows www.grpanderson.com. The navigation menu includes "Resource center". The main content area is titled "TECHNICAL SPECS AND DOCUMENTATION FOR TRACTOR ATTACHMENTS". Under "FORMS", there is a "PRODUCT REGISTRATION" button. Under "FORMULAIRES", there is an "ENREGISTREMENT DE PRODUIT" button. The "MERGEPRO 915-1060" section lists two PDF files: "ELECTRIC DIAGRAM - MERGEPRO915-1060_(2023).PDF" and "ELECTRIC DIAGRAM - MERGEPRO915-1060_(2024+).PDF".

TROUVER UN
CONCESSIONNAIRE

SECTION
DOCUMENTATION

ACCÉDER À L'ESPACE
CONCESSIONNAIRE