

## Error #21 and #22

### Electrical issue on the swath board left/right

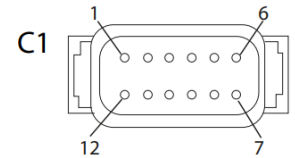
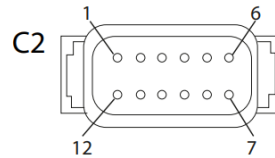
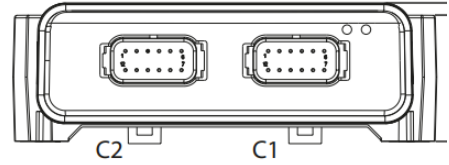
#### MC024 – C2P05 - Function



Identification of the controller in problem

Identification of the PIN # on the controller where the wire start from

Identification of the sensor or coil's valve section where the wire go to



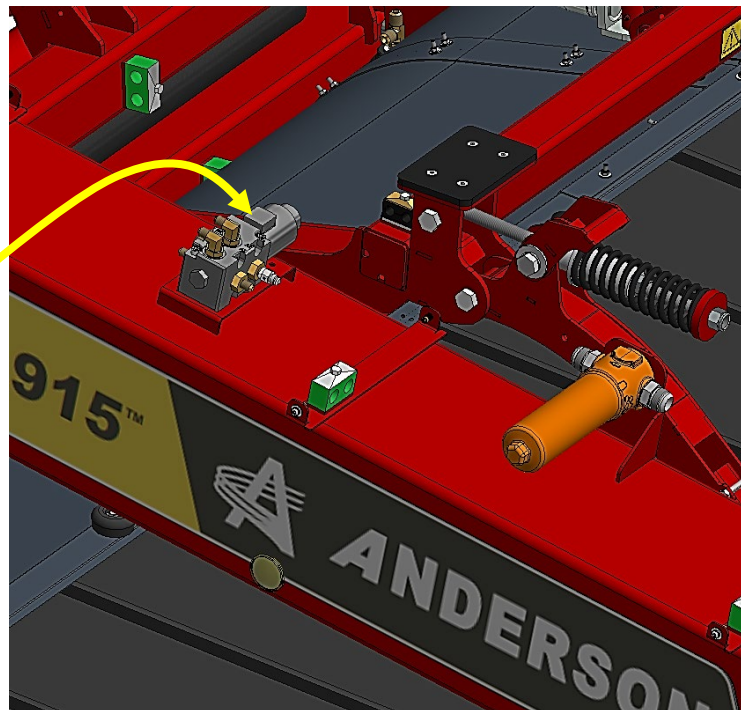
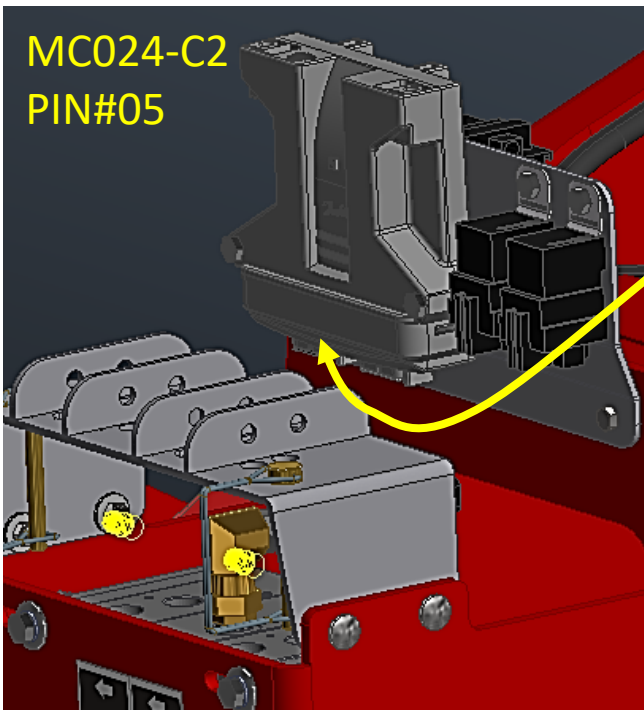
Errors #21 and #22 mean that there is a continuity issue between the selector valve coil and the controller.

Inspect the wire from pin #05 of the MC024 controller's C2 connector until the selector valve coil located as below illustration. Here are the two possibilities:

- Error #21: Open Circuit means that the wire is cut between the controller and the selector valve coil.
- Error #22: Close circuit (Short-circuit) means that the wire is grounded between the controller and the selector valve coil.

Replace or fix the wire as needed.

MC024-C2  
PIN#05



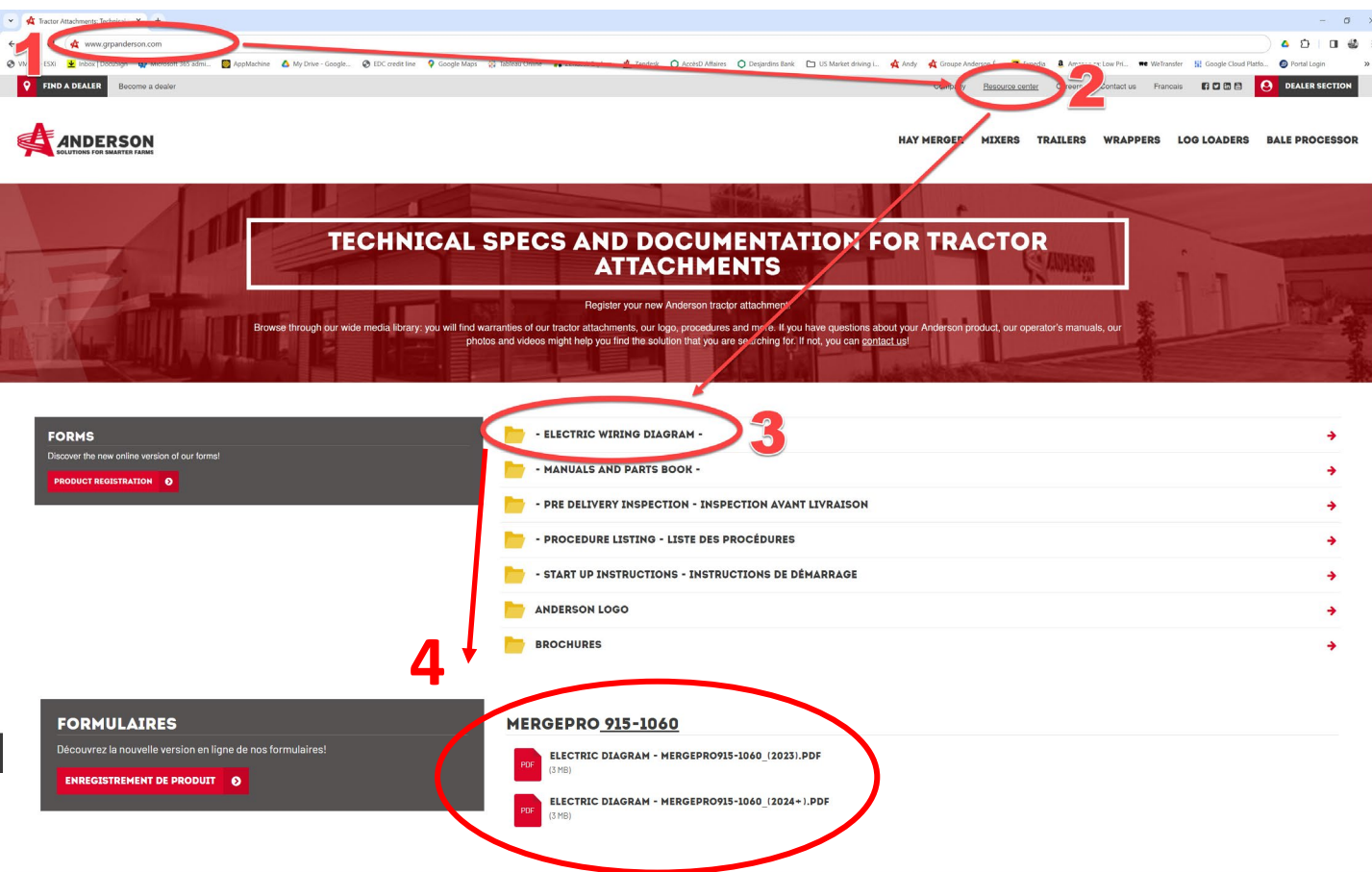
# ELECTRICAL DIAGRAM

For more details, consult the electrical diagram of the machine:

- 1- Go to [www.grpanderson.com](http://www.grpanderson.com)
- 2- Click on Resource Center
- 3- Select the folder – Electric Wiring Diagram –
- 4- Select the folder associated with your machine – Mergepro 915-1060 –

Or follow the link below :

<https://grpanderson.com/en/resource-center/?section=2-Public%20section/-%20Electric%20wiring%20diagram%20->



The screenshot shows the Anderson website interface. The browser address bar highlights the URL [www.grpanderson.com](http://www.grpanderson.com) with a red circle and the number 1. The navigation menu includes 'Resource center' with a red circle and the number 2. The main content area features a list of folders: '- ELECTRIC WIRING DIAGRAM -' (circled with a red circle and the number 3), '- MANUALS AND PARTS BOOK -', '- PRE DELIVERY INSPECTION - INSPECTION AVANT LIVRAISON', '- PROCEDURE LISTING - LISTE DES PROCÉDURES', '- START UP INSTRUCTIONS - INSTRUCTIONS DE DÉMARRAGE', 'ANDERSON LOGO', and 'BROCHURES'. Below this, the 'MERGEPRO 915-1060' section is highlighted with a red circle and the number 4, showing two PDF files: 'ELECTRIC DIAGRAM - MERGEPRO915-1060\_(2023).PDF' and 'ELECTRIC DIAGRAM - MERGEPRO915-1060\_(2024+).PDF'.

TROUVER UN  
CONCESSIONNAIRE

SECTION  
DOCUMENTATION

ACCÉDER À L'ESPACE  
CONCESSIONNAIRE