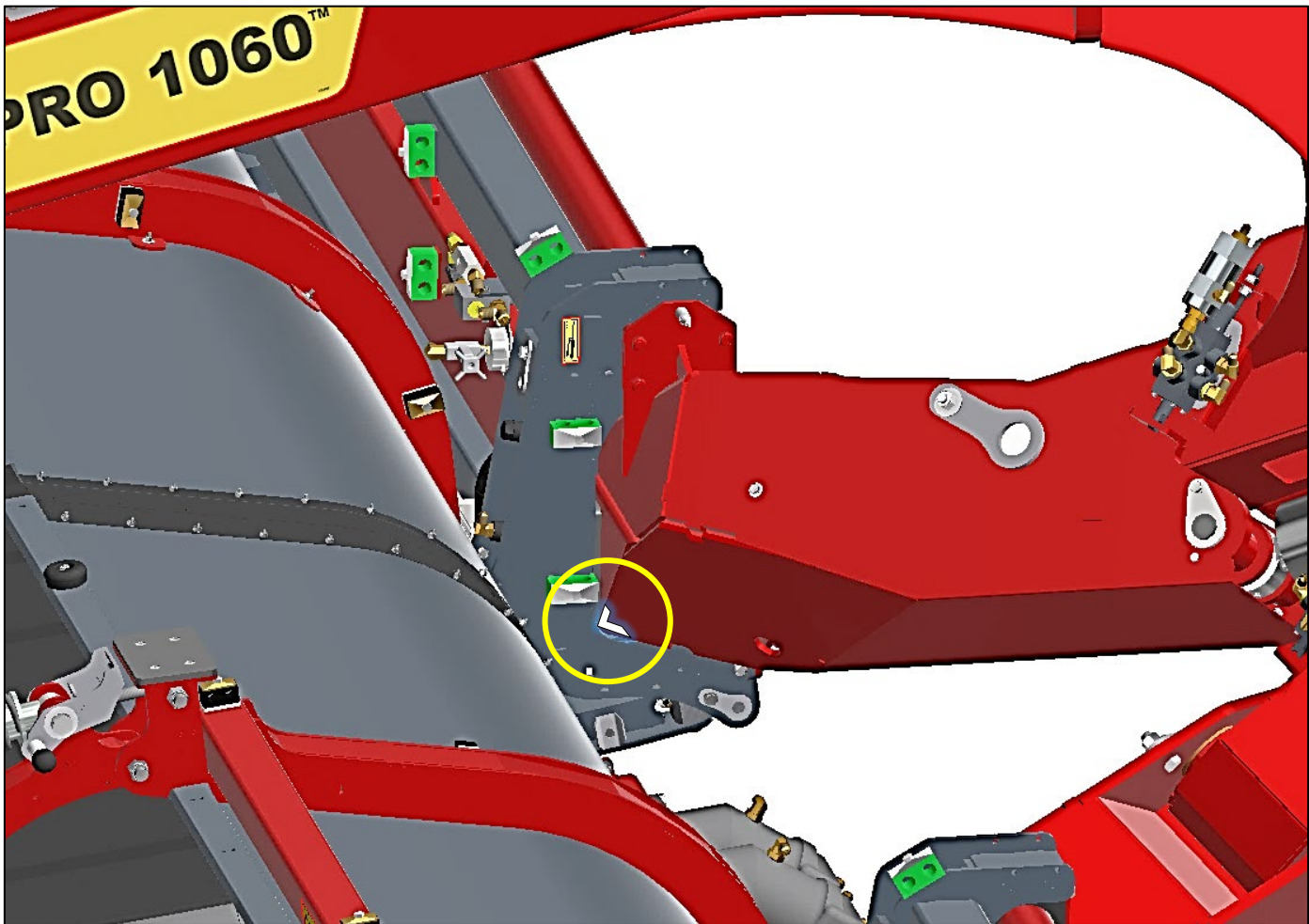
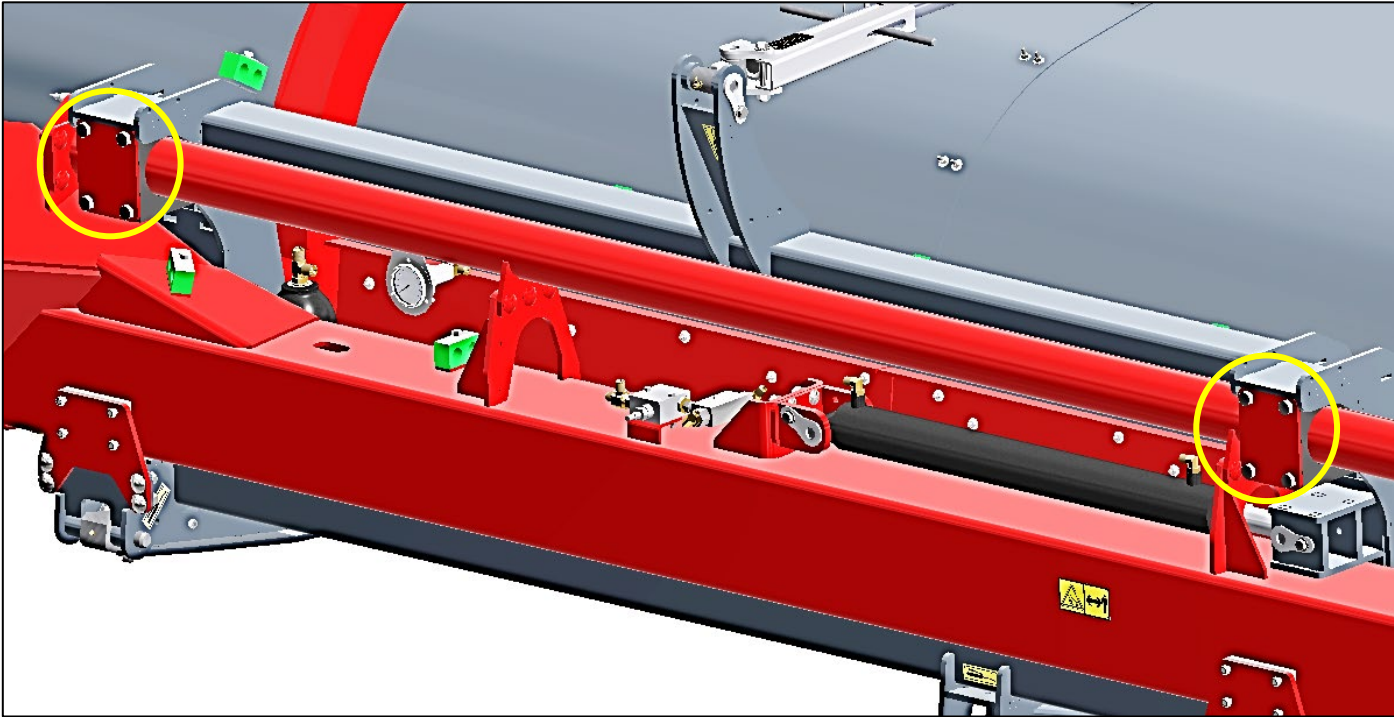


## Unstock extension/retraction arm (US-EUR model).

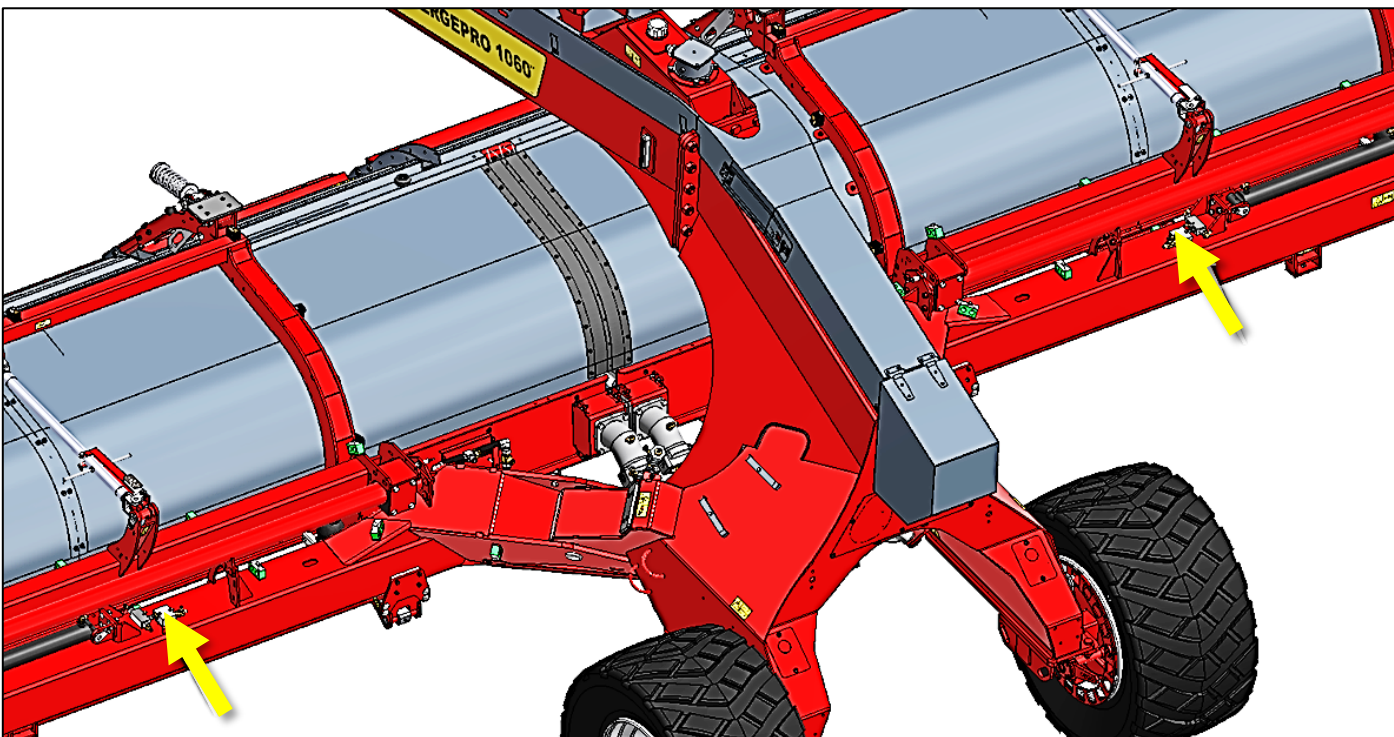
If, after a long storage or if the units have not been in extension mode during a long-time, you are experiencing a jamming while trying to move the arm, you must perform to disengage as following.



1. Unscrew slightly the 8 bolts of the Teflon blocs as in the below illustration.



2. Locate the relief valves (below arrows) and screw them a few turns to increase the PSI to be able to move the unit.



3. With an angle grinder, sand the portion that was stuck to avoid this to happened again.
4. Screw back the 8 bolts of the Teflon blocs (unscrewed on step 1).
5. Place back the adjustment on the relief valves: Screw on completely the Allen screw then unscrew 5 turns.

